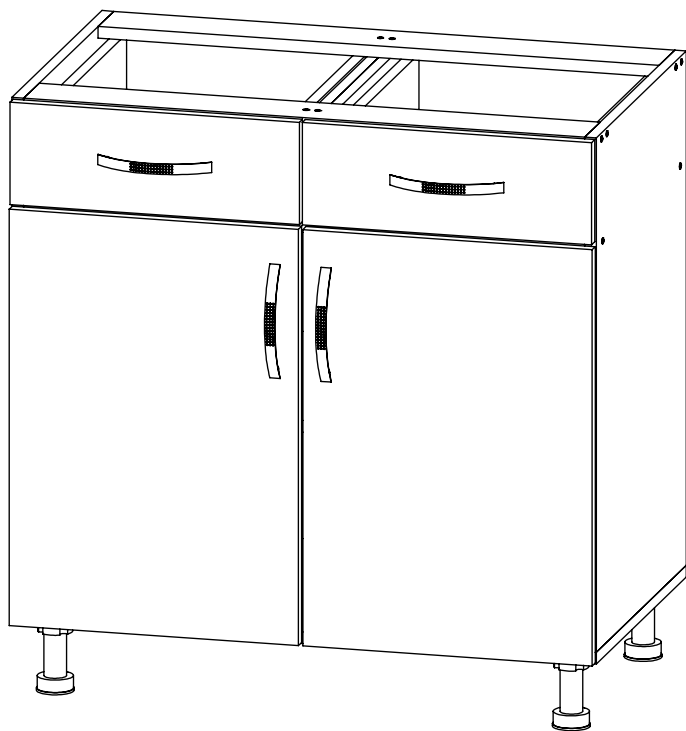



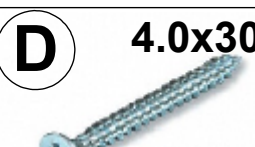
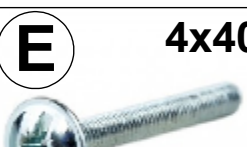
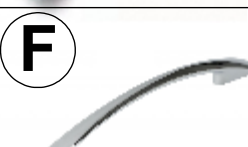
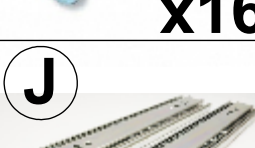


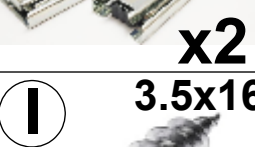




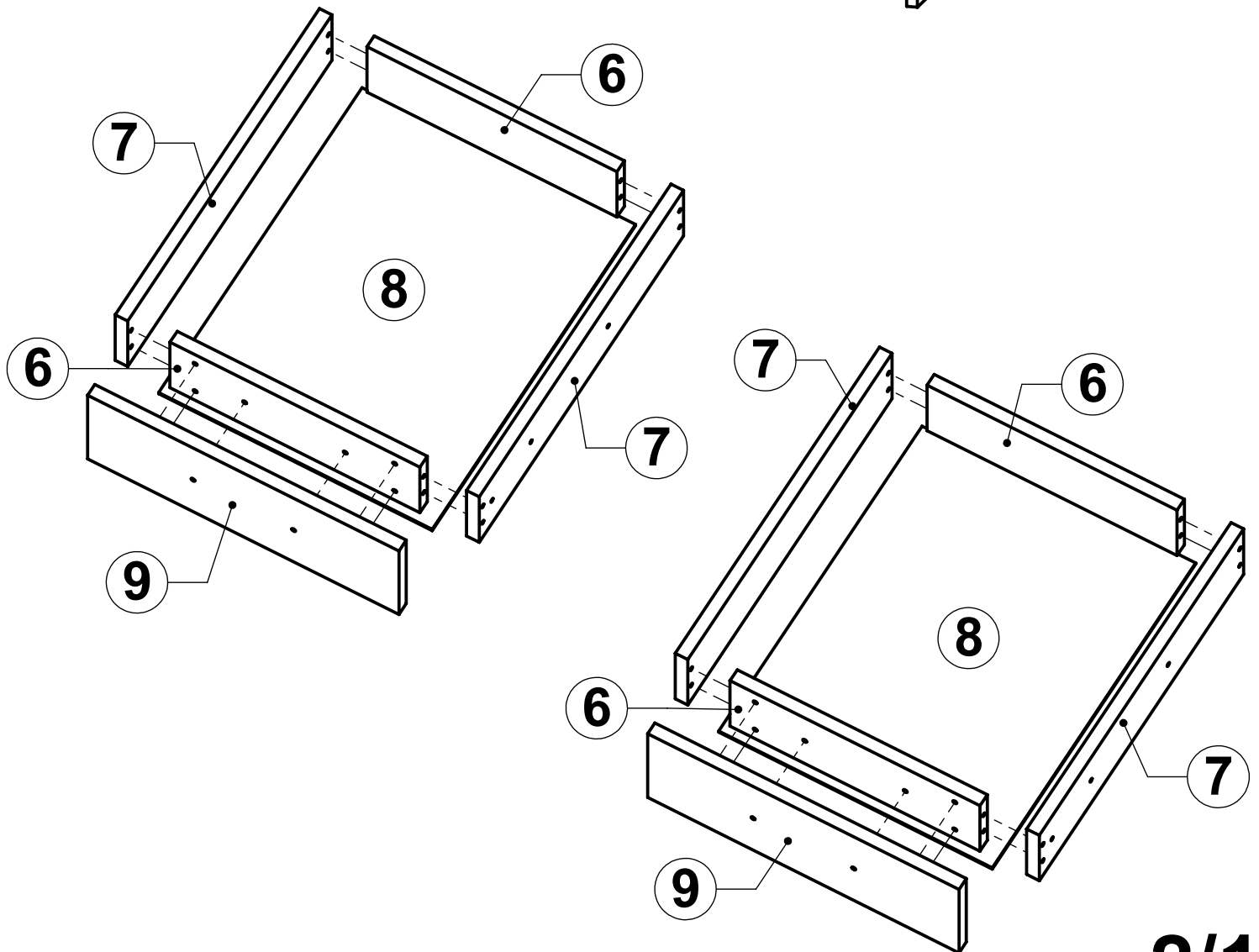
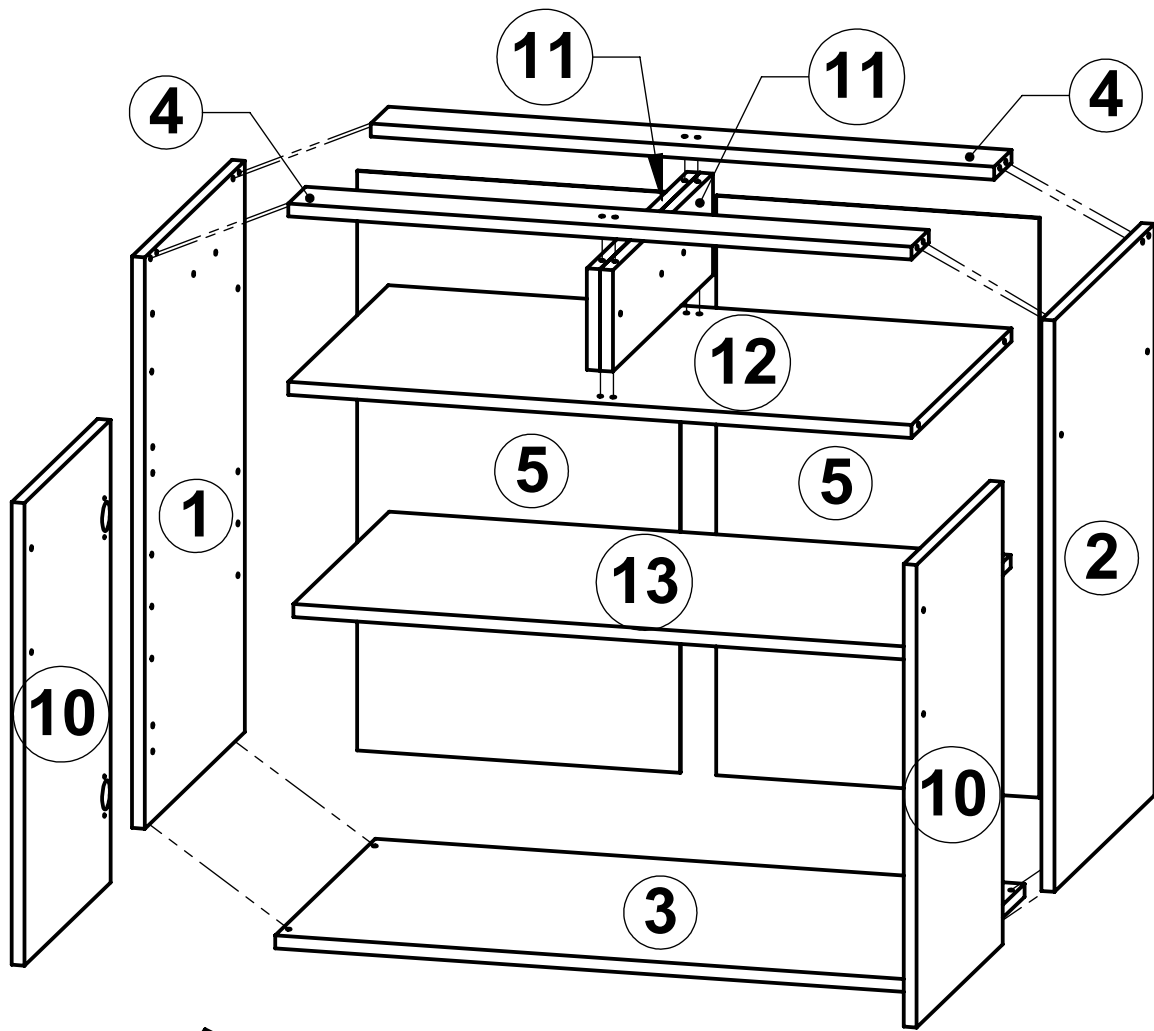


Модуль нижній LOW Units

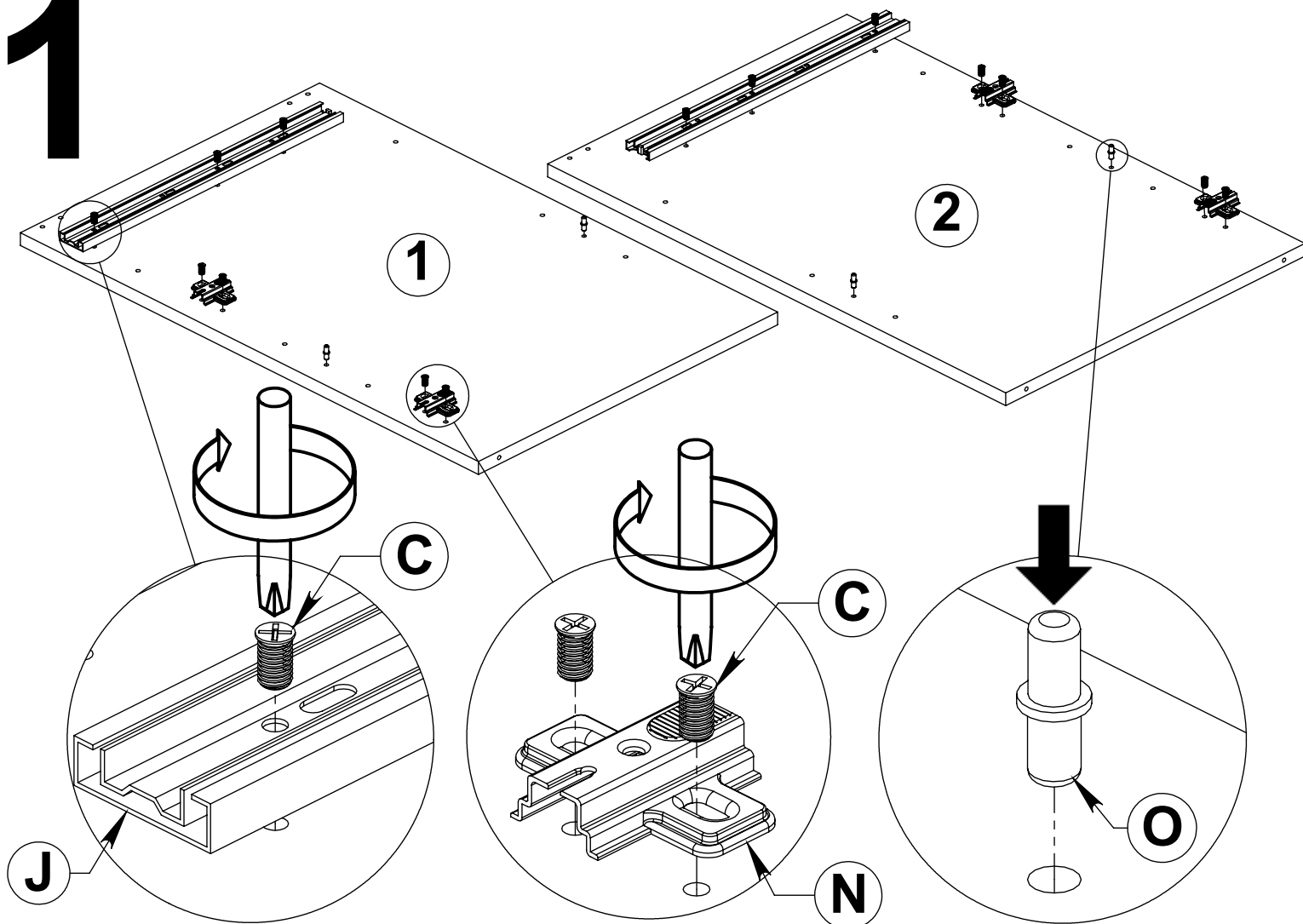


A  x44	B 4.0x16  x24	C  x24
D 4.0x30  x16	E 4x40  x4	F  x4
J  x2	K  30	L  x4
I 3.5x16  x12	M  x1	N  x2
O  x4	P 4x20  x4	

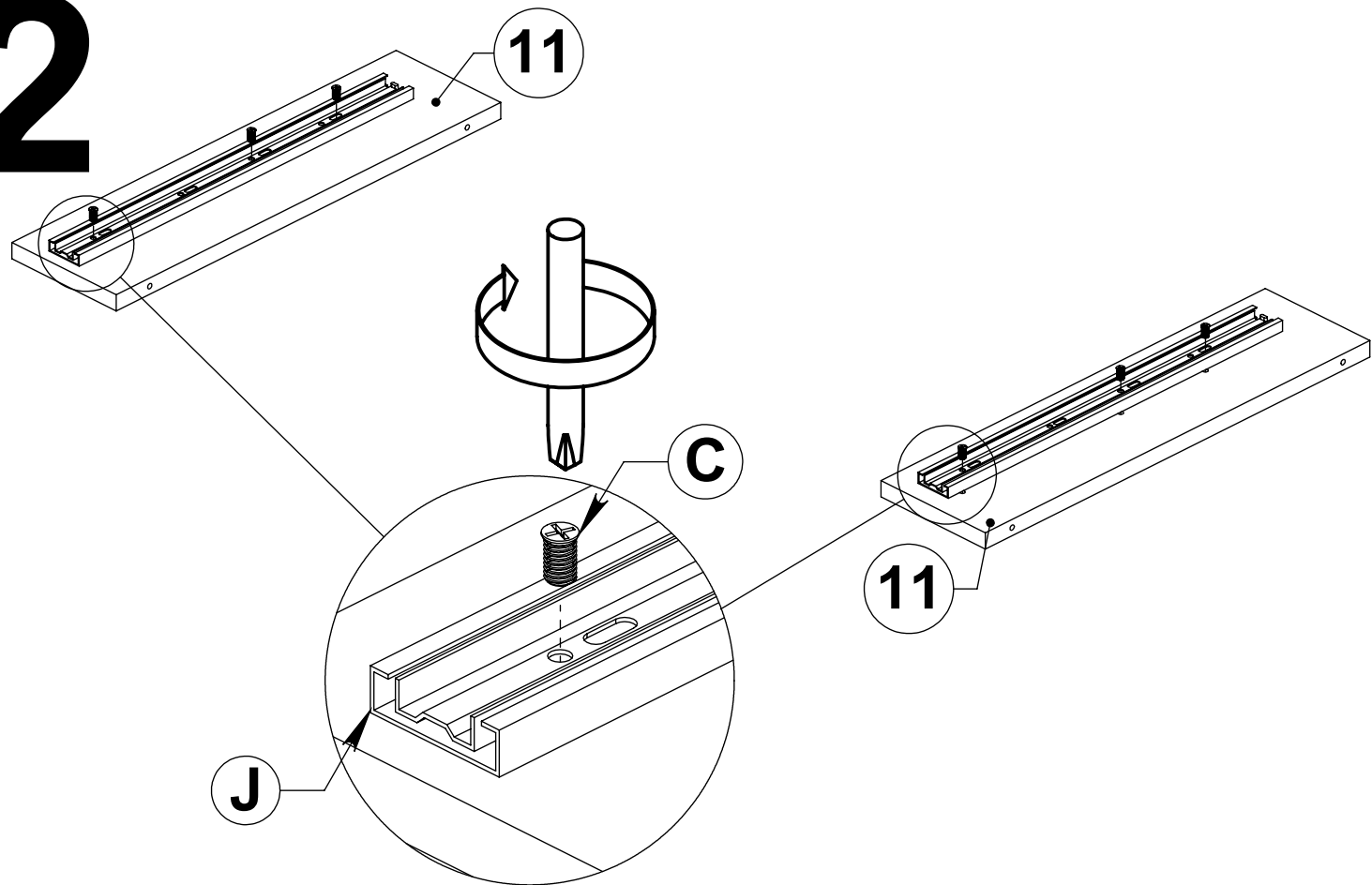
№	НЯД(2+2) 80/82	X
①	704x460	1
②	704x460	1
③	800x460	1
④	768x80	2
⑤	714x398	2
⑥	308x100	4
⑦	450x100	4
⑧	338x448	2
⑨	140x396	2
⑩	570x396	2
⑪	125x460	2
⑫	768x460	1
⑬	766x460	1



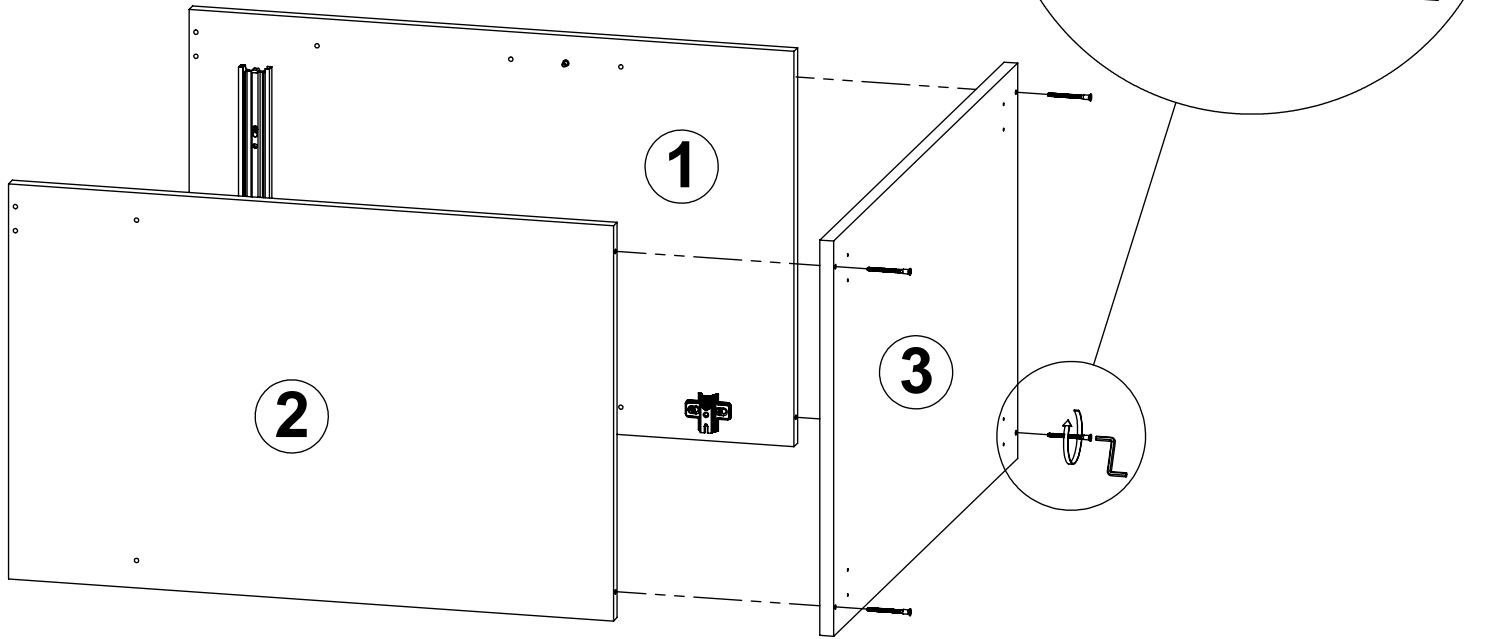
1



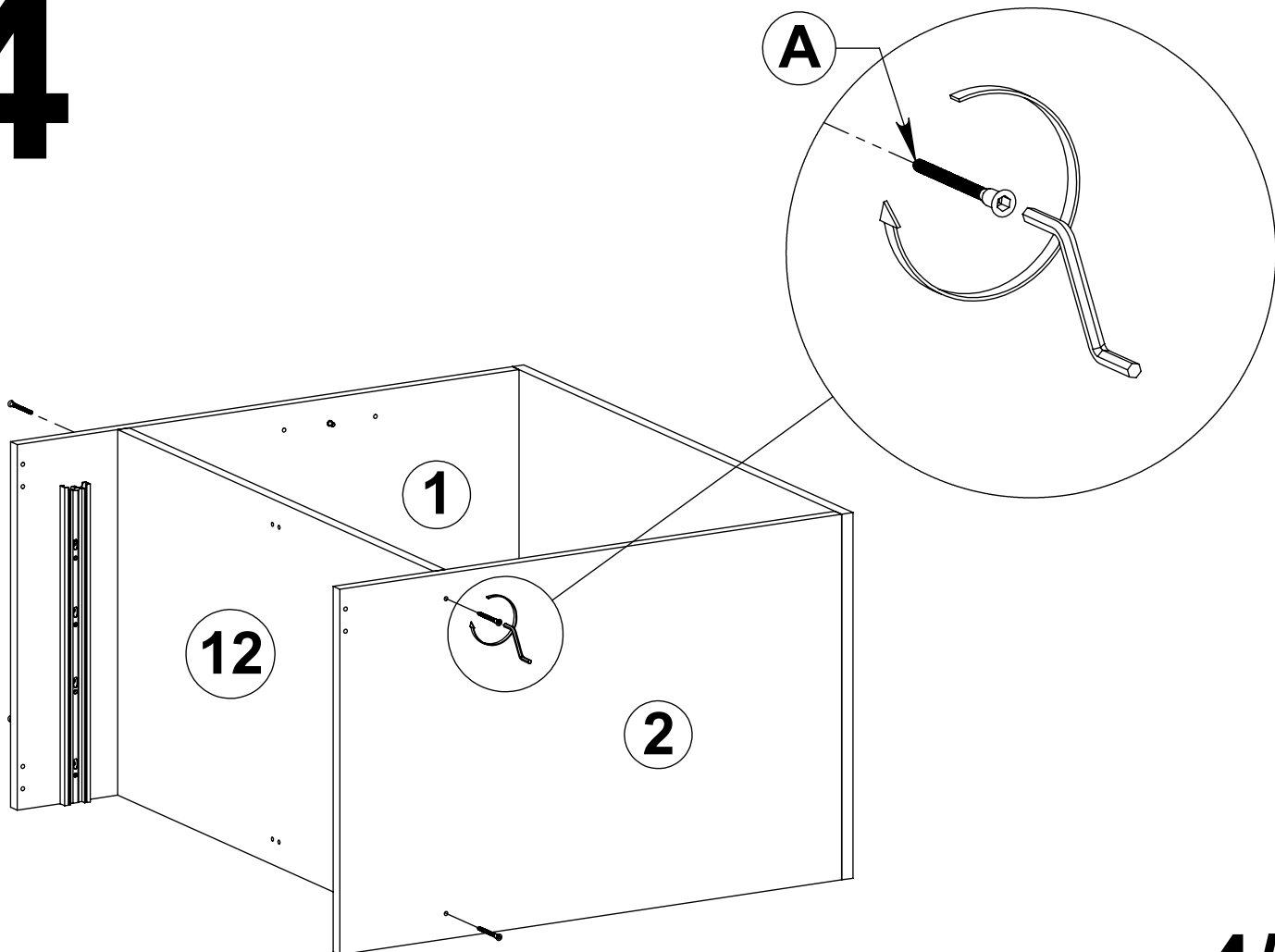
2

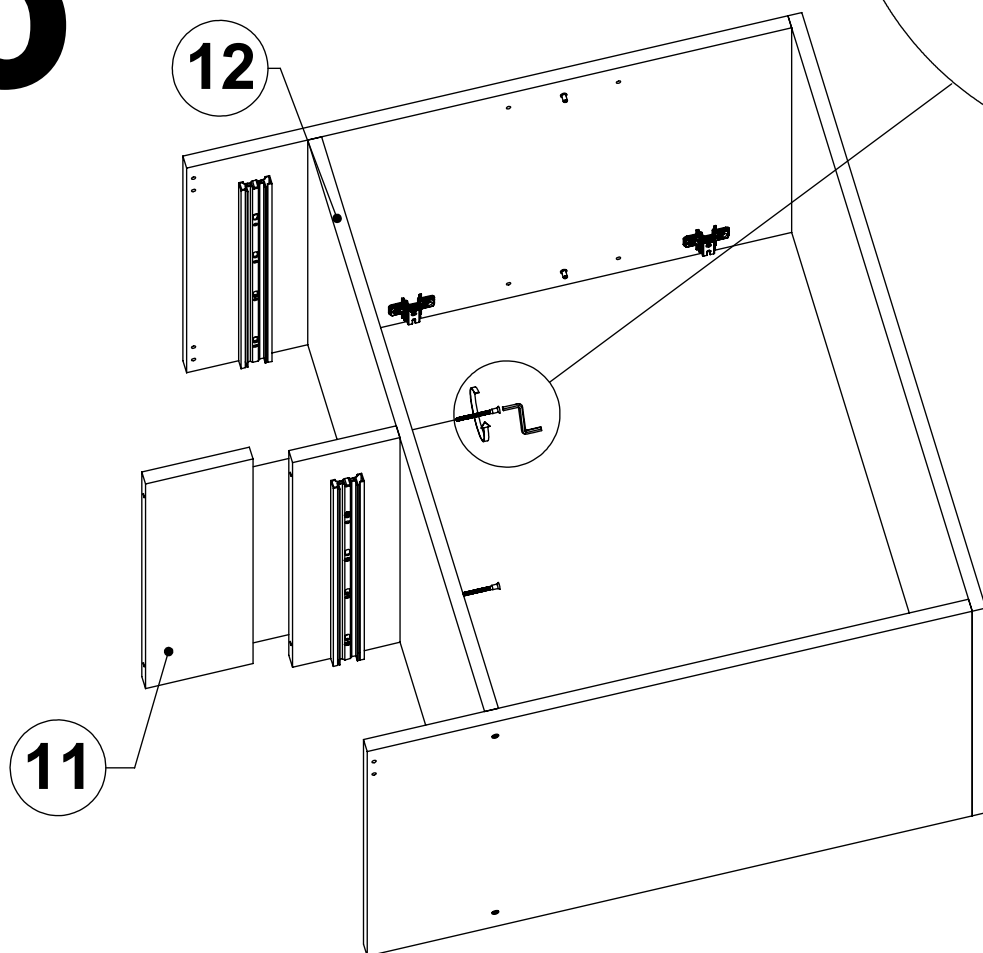
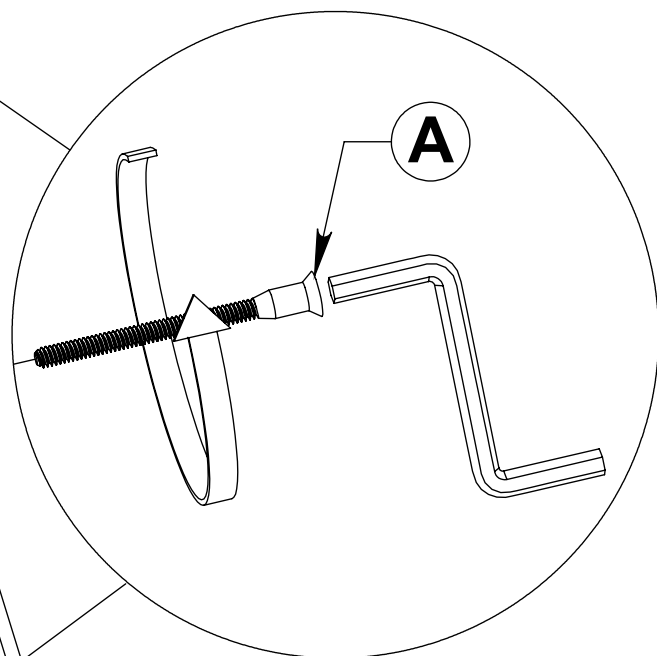
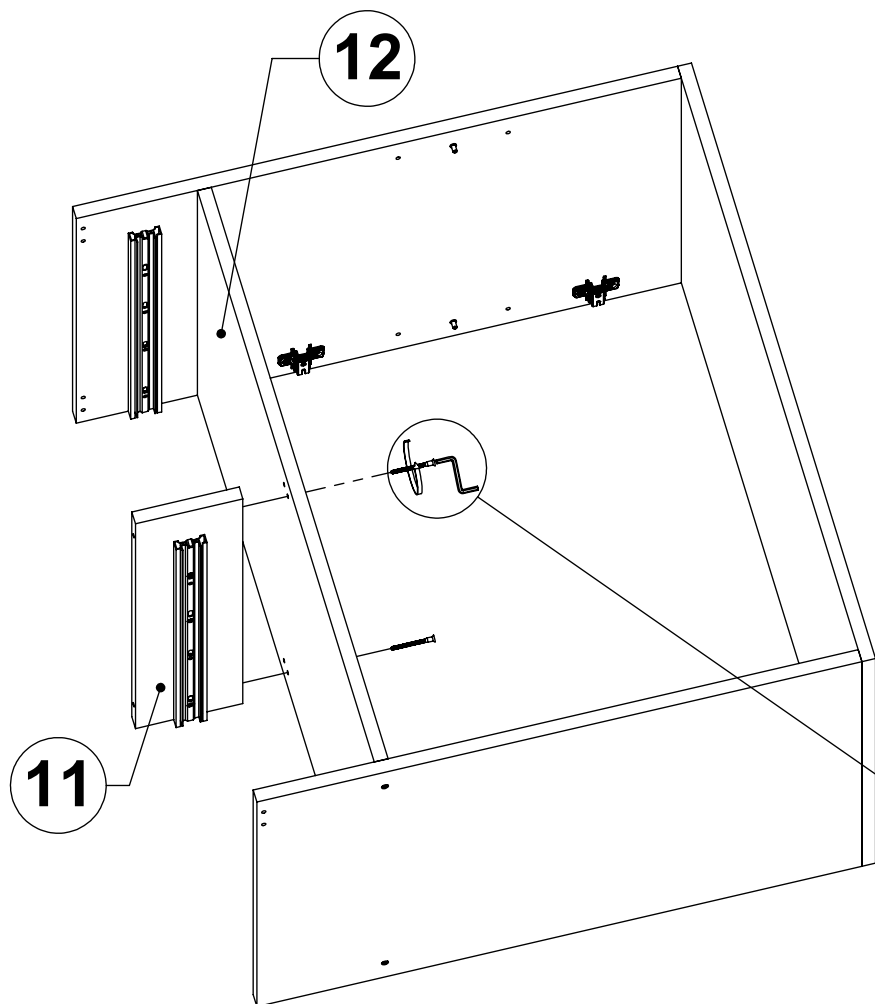


3

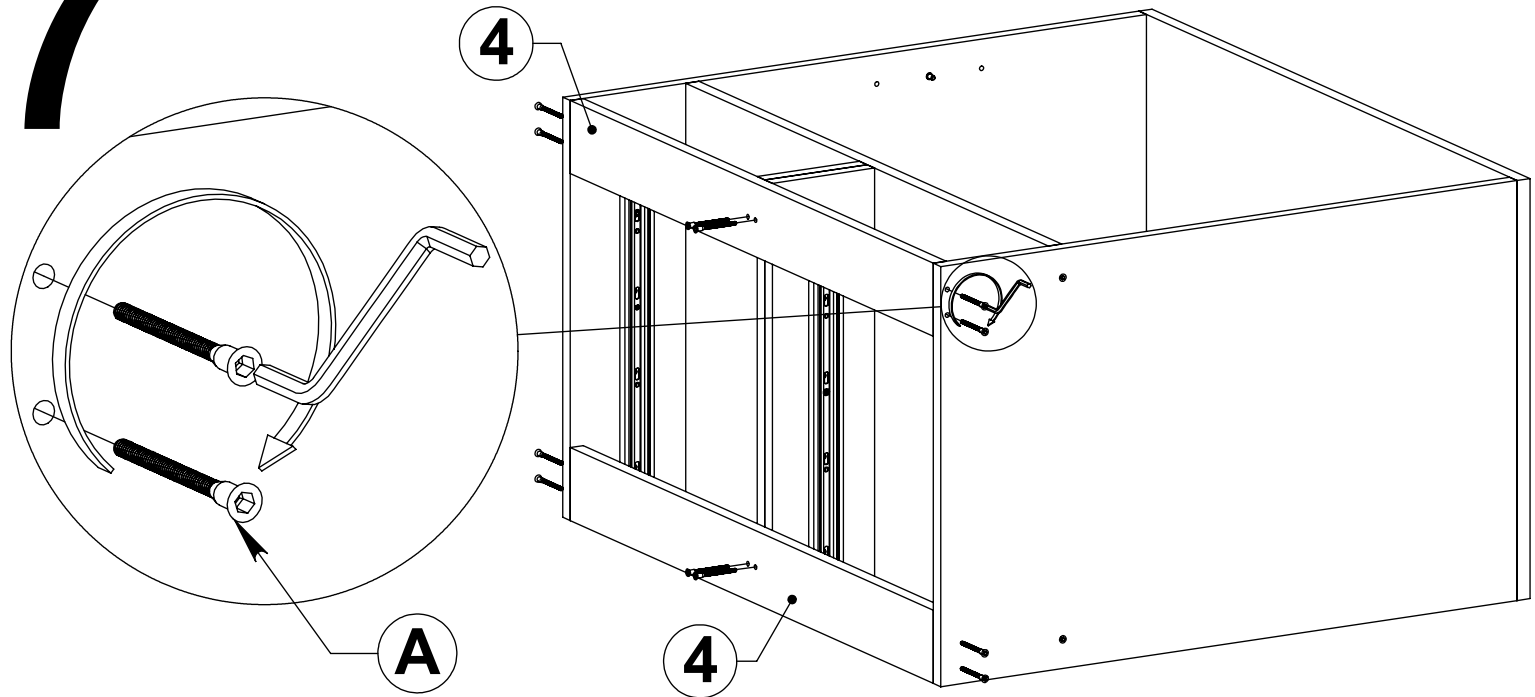


4



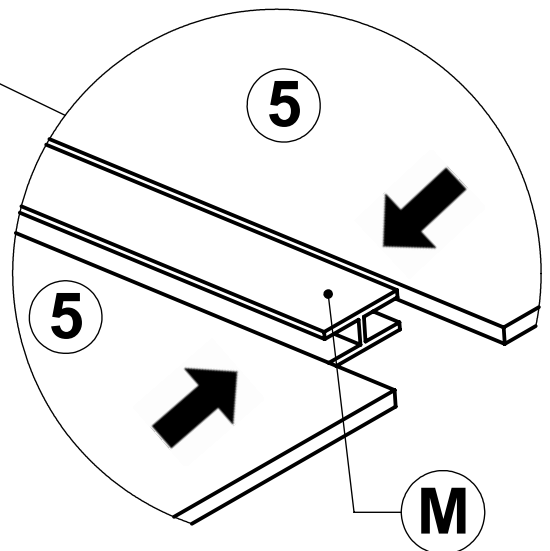
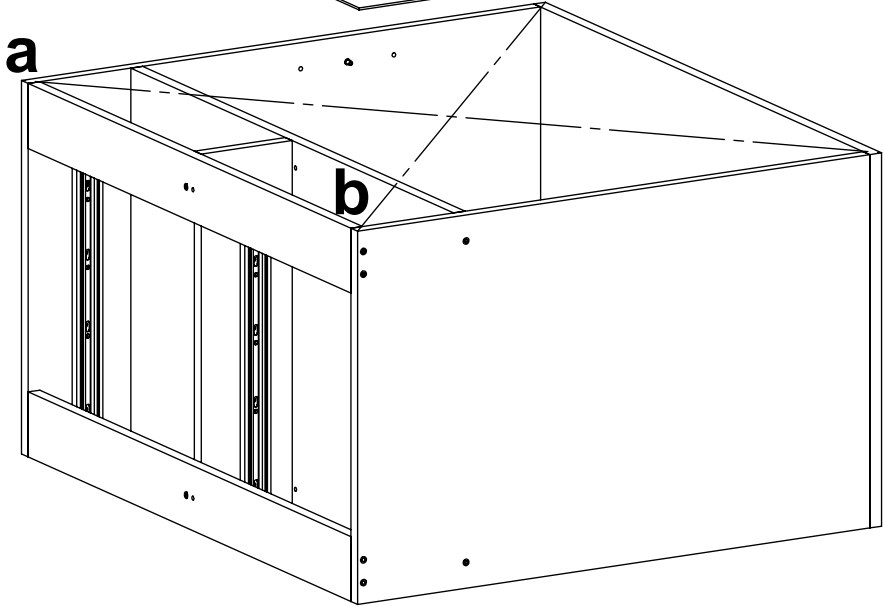
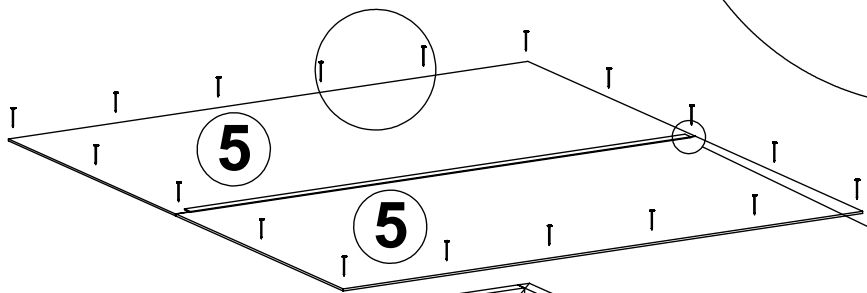
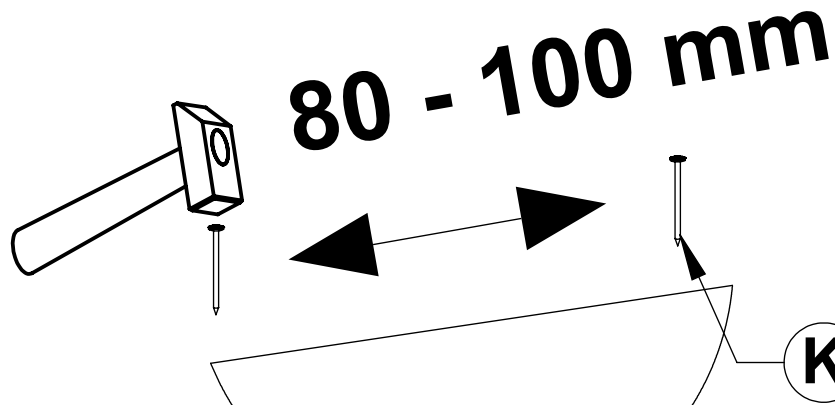


7

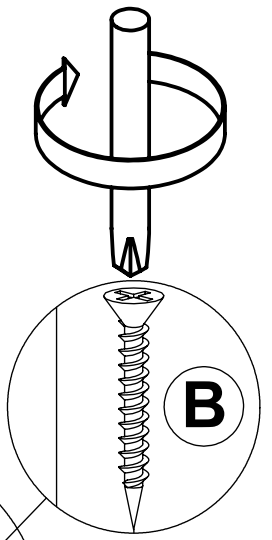
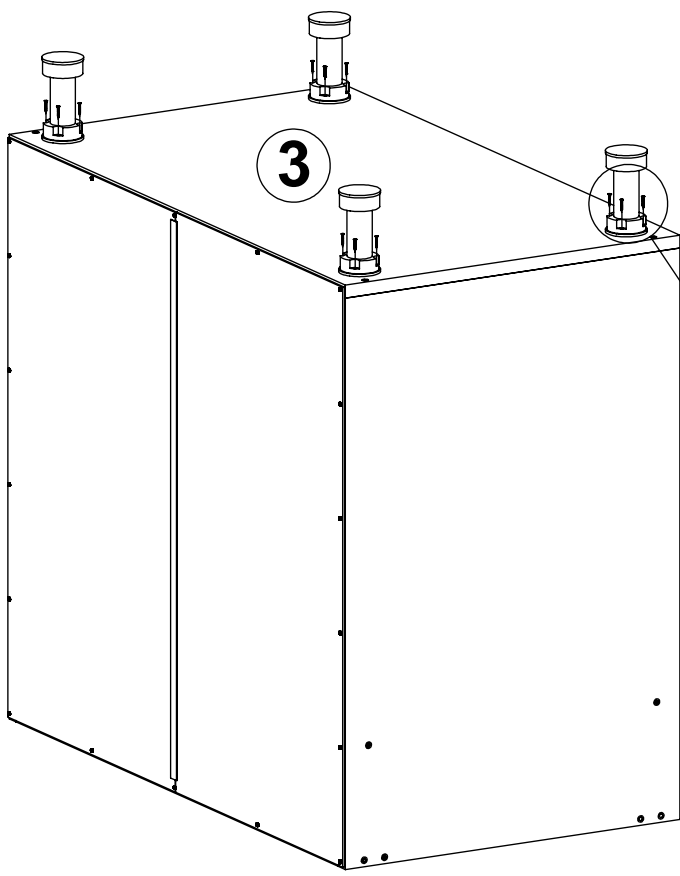


8

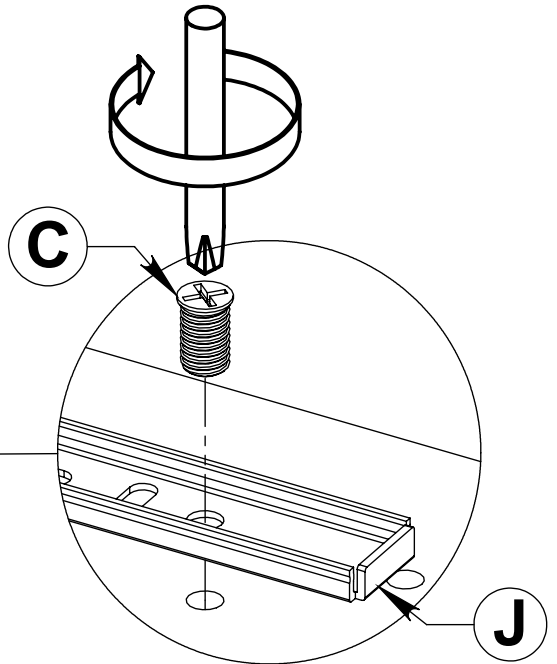
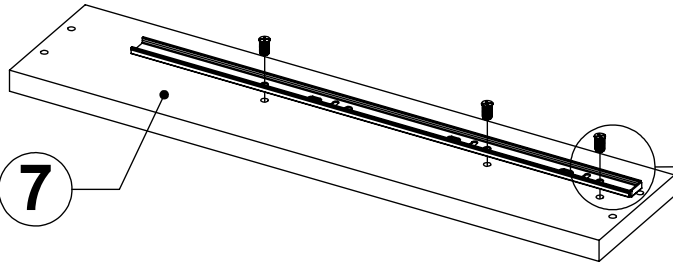
a = b



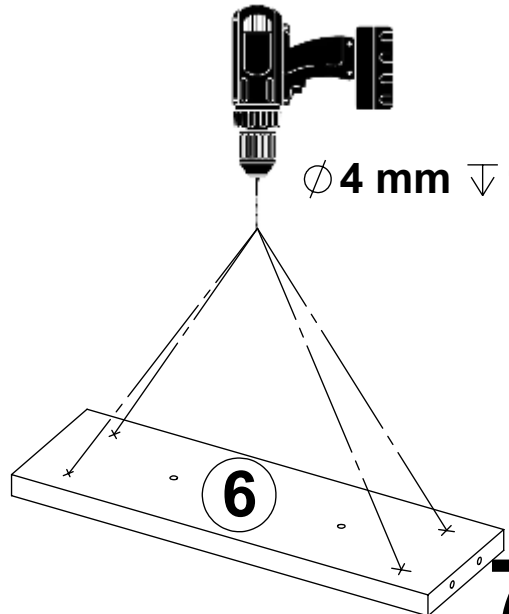
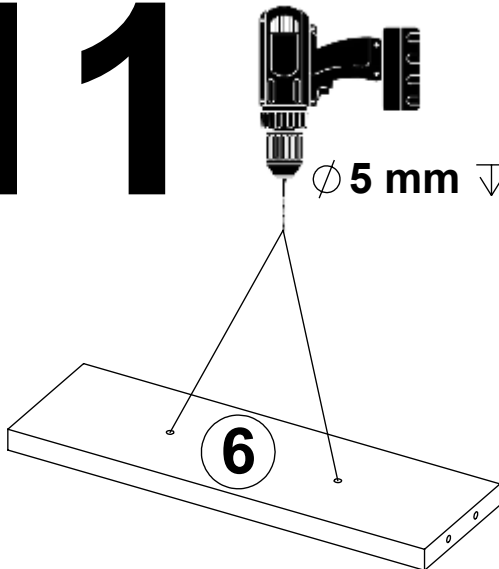
9



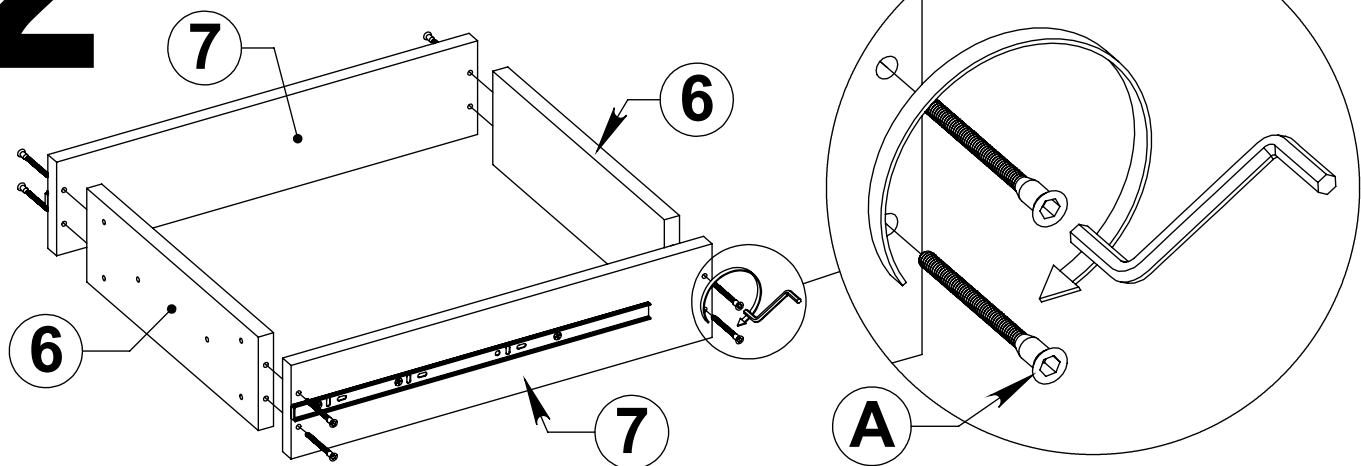
10



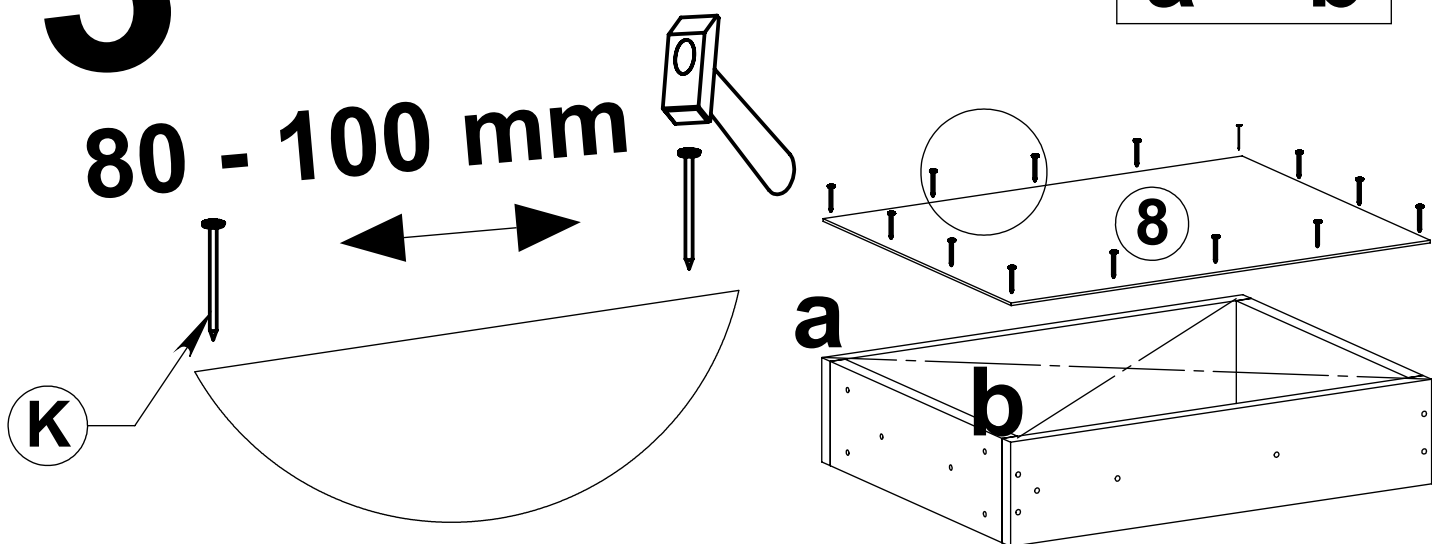
11



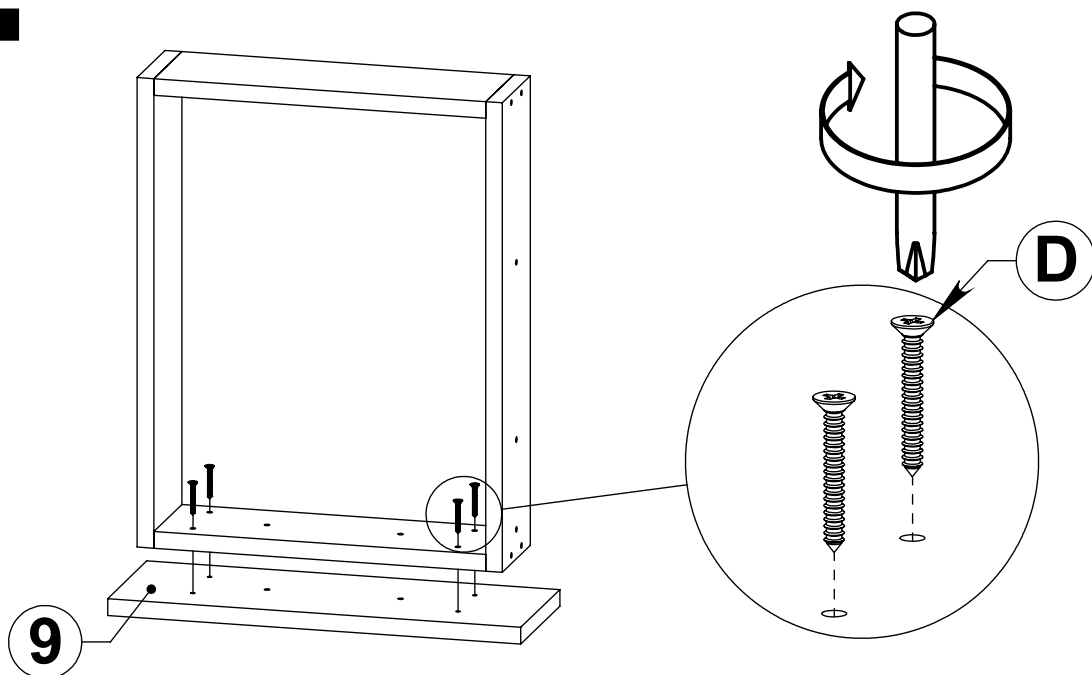
12



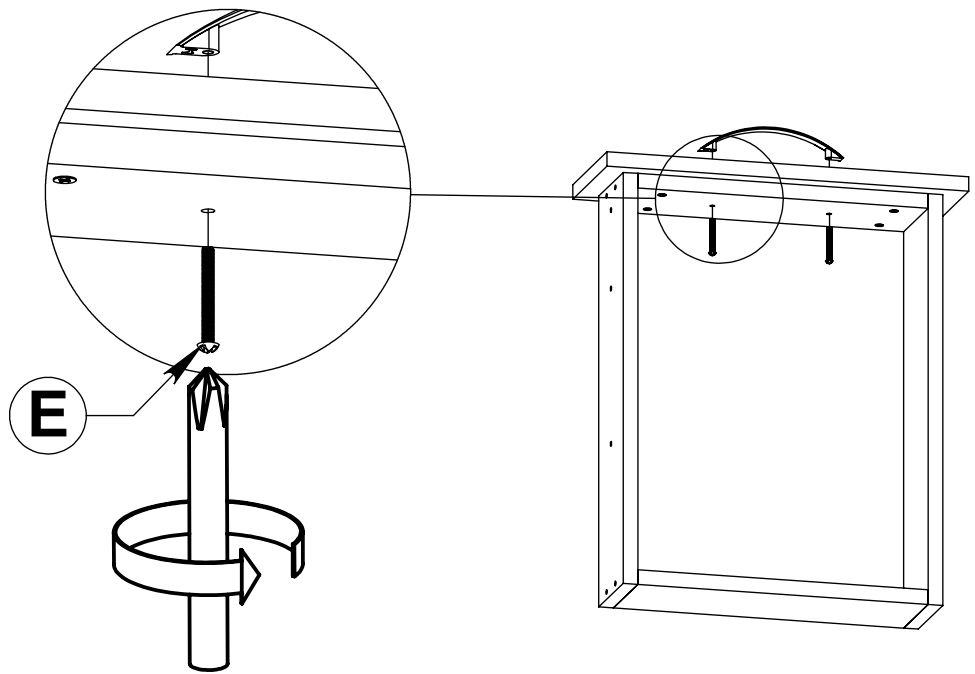
13



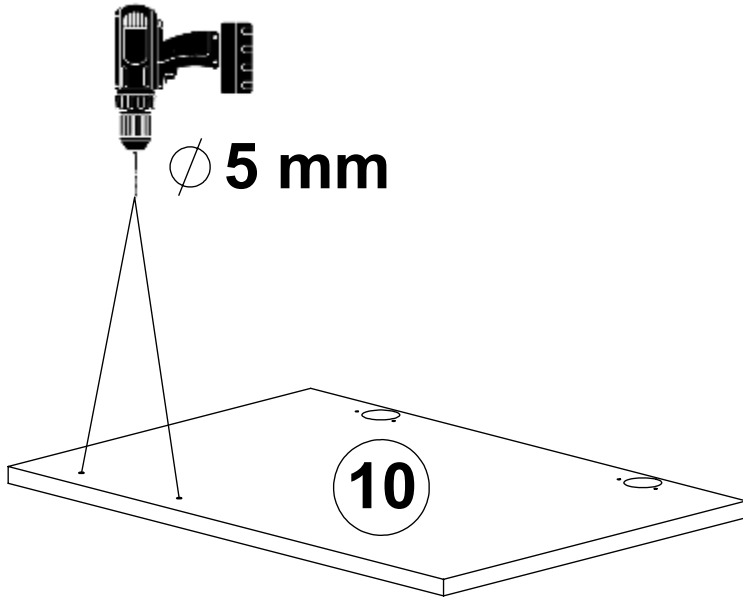
14



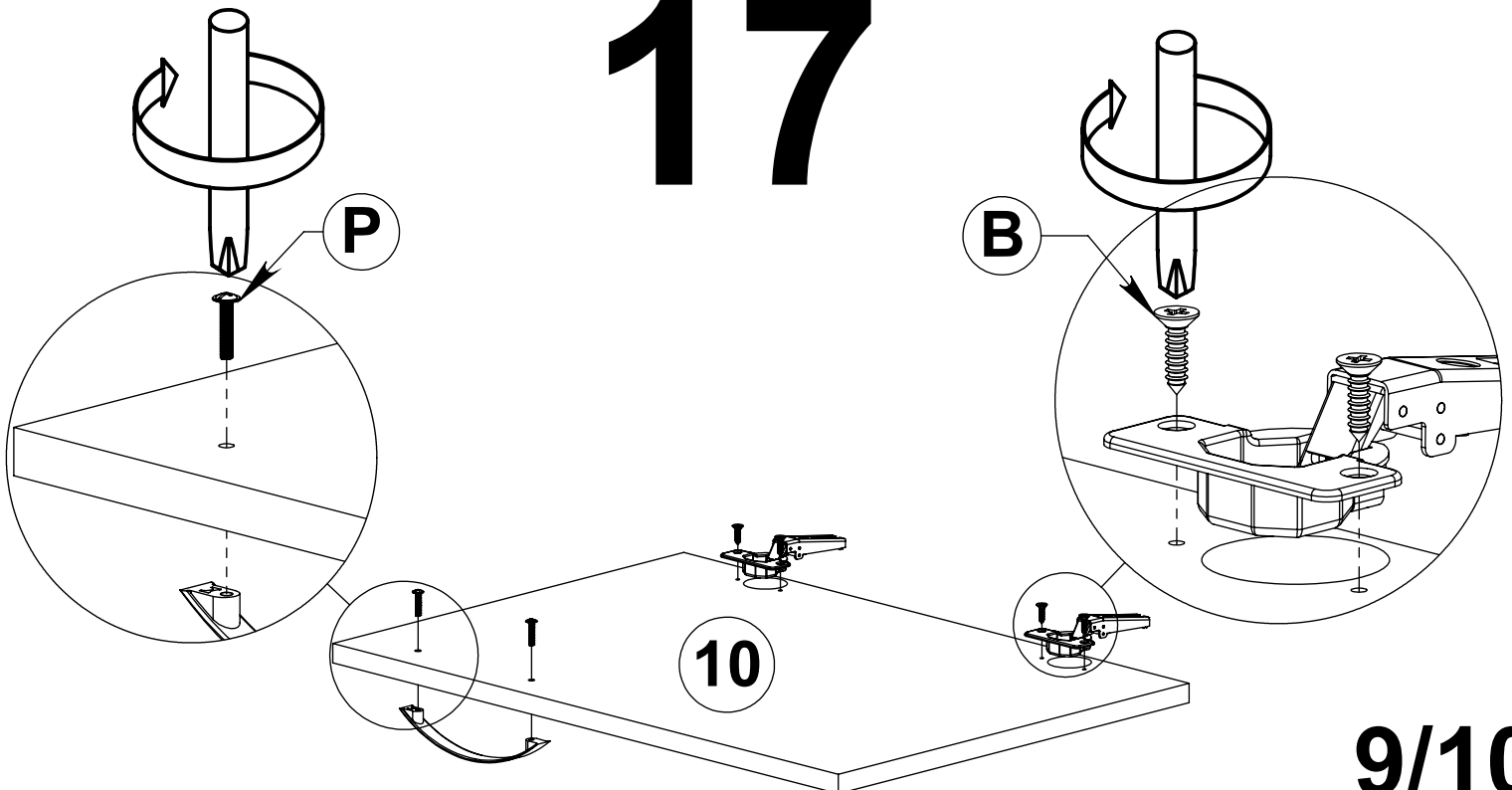
15



16

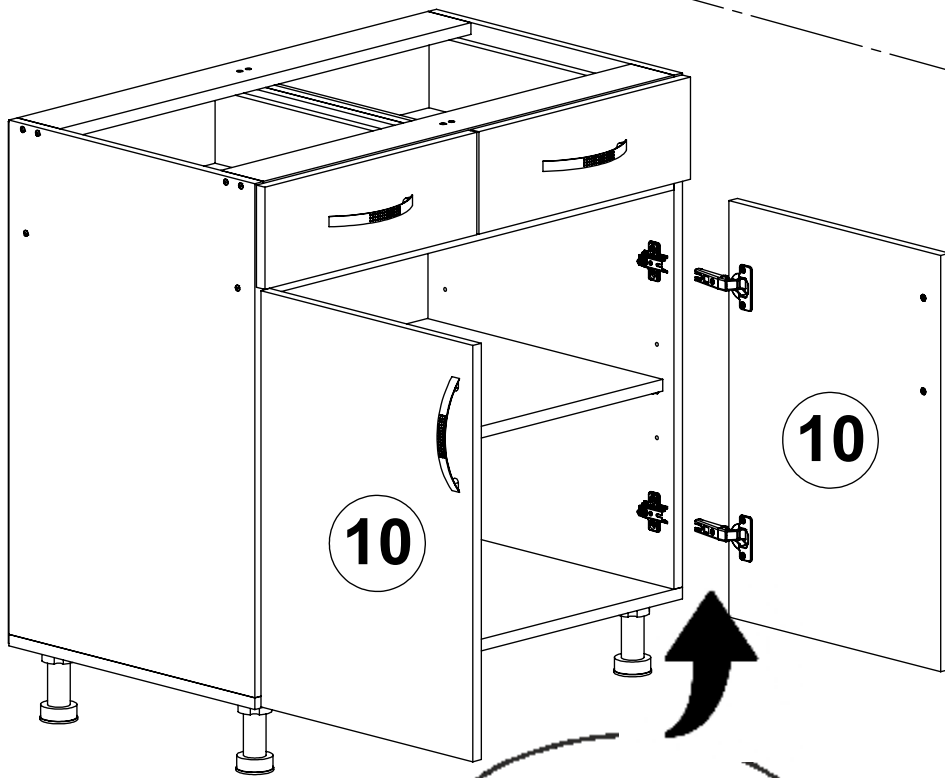
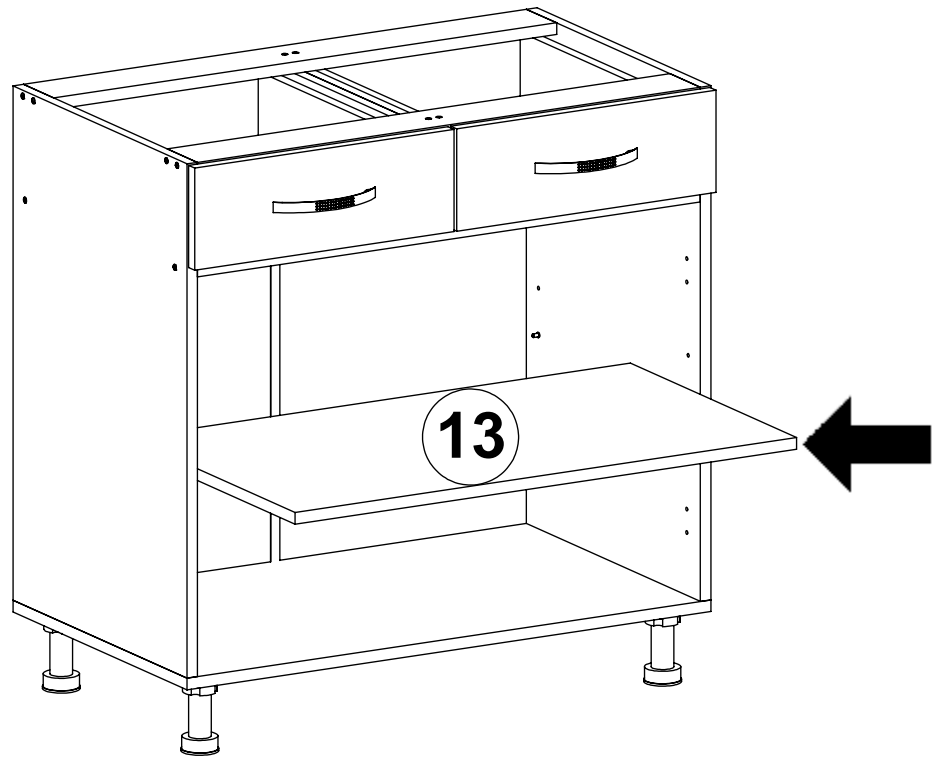


17

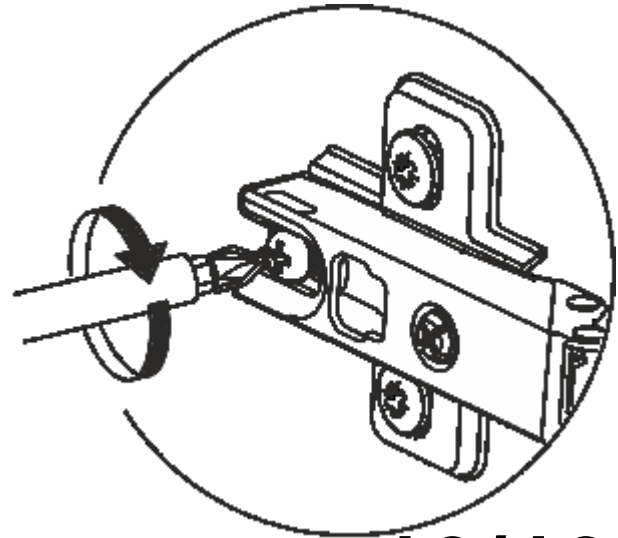
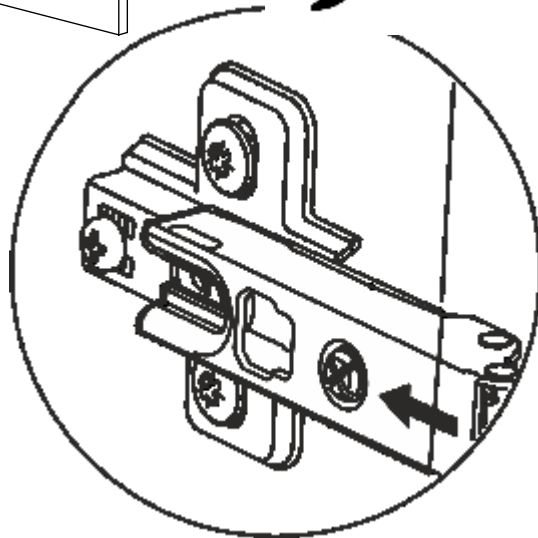


9/10

18



19



10/10