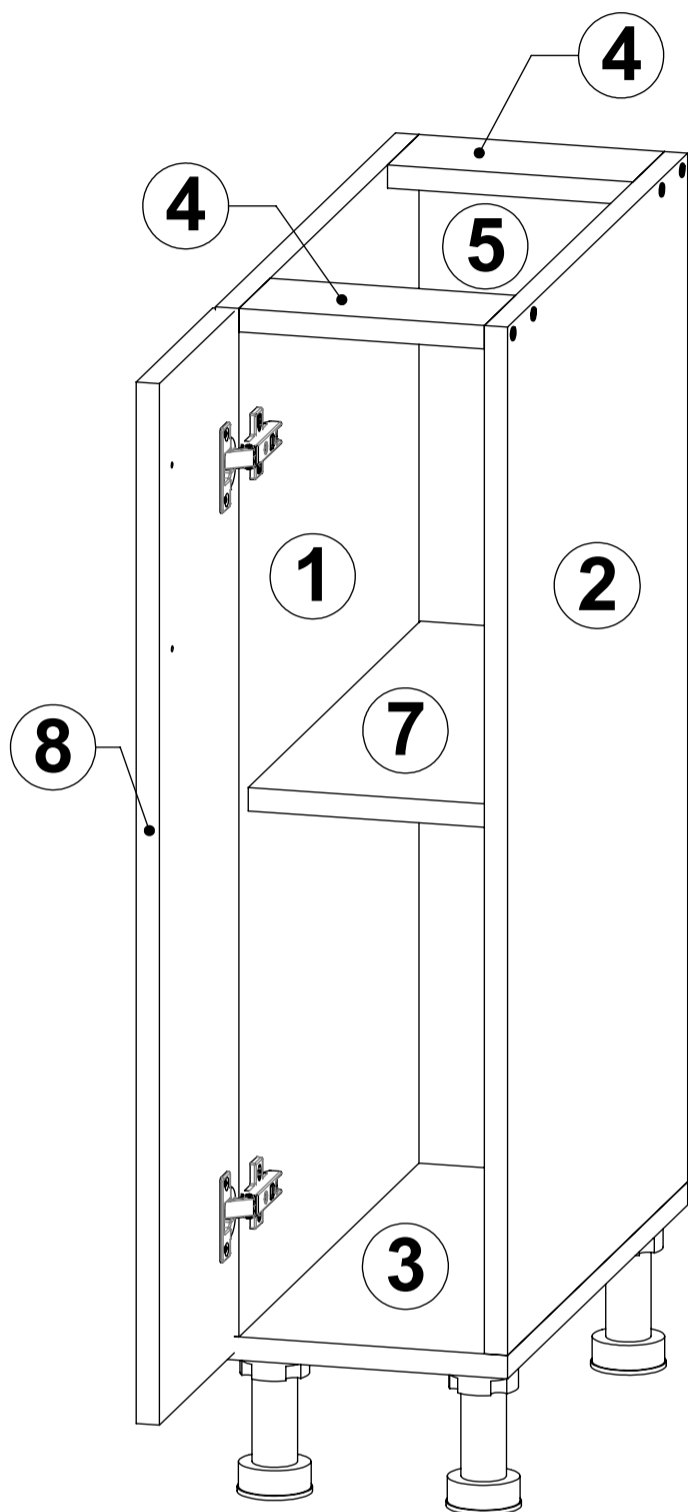
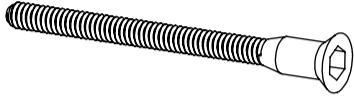
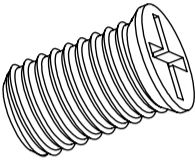
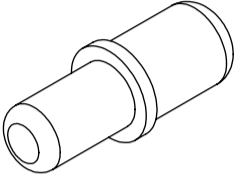
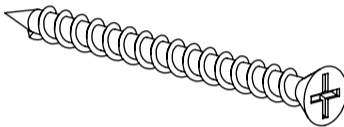
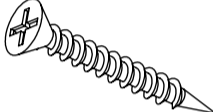
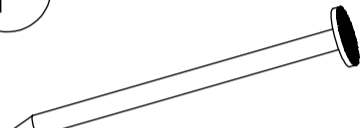
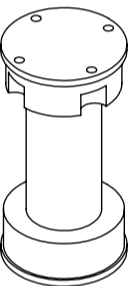
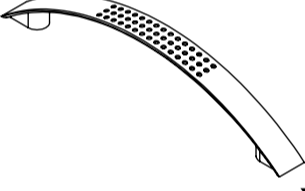
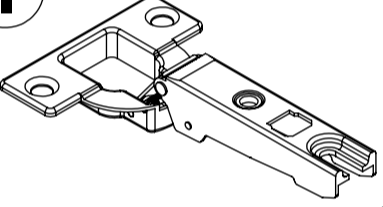




# Модуль нижній LOW Units

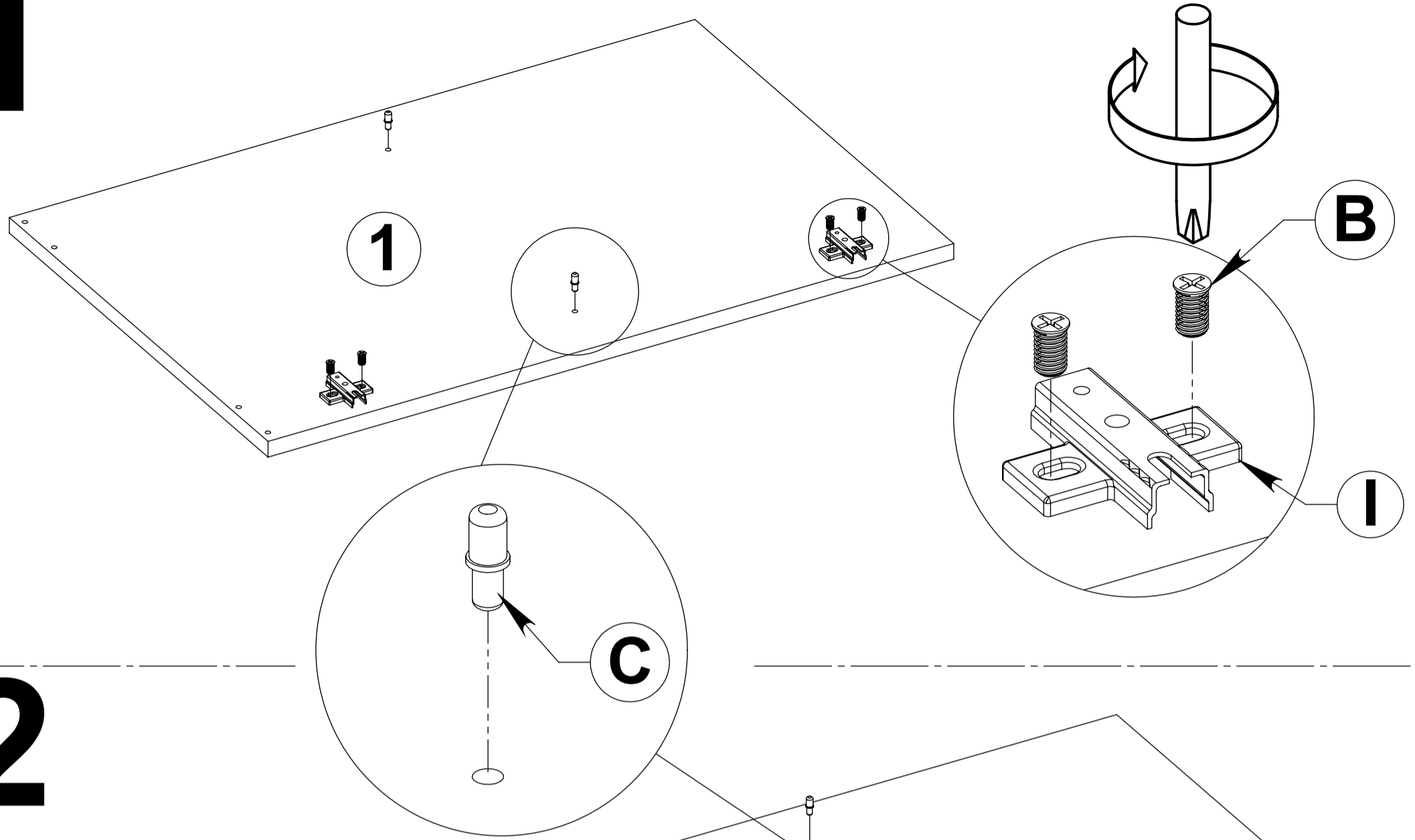


<b>A</b>  x12	<b>B</b>  x4	<b>C</b>  x4
<b>D</b> 4x30 mm  x4	<b>E</b> 4x16 mm  x24	<b>F</b>  x15
<b>G</b>  x4	<b>H</b>  x1	<b>I</b>  x2
<b>J</b>  x2	<b>9</b> 	

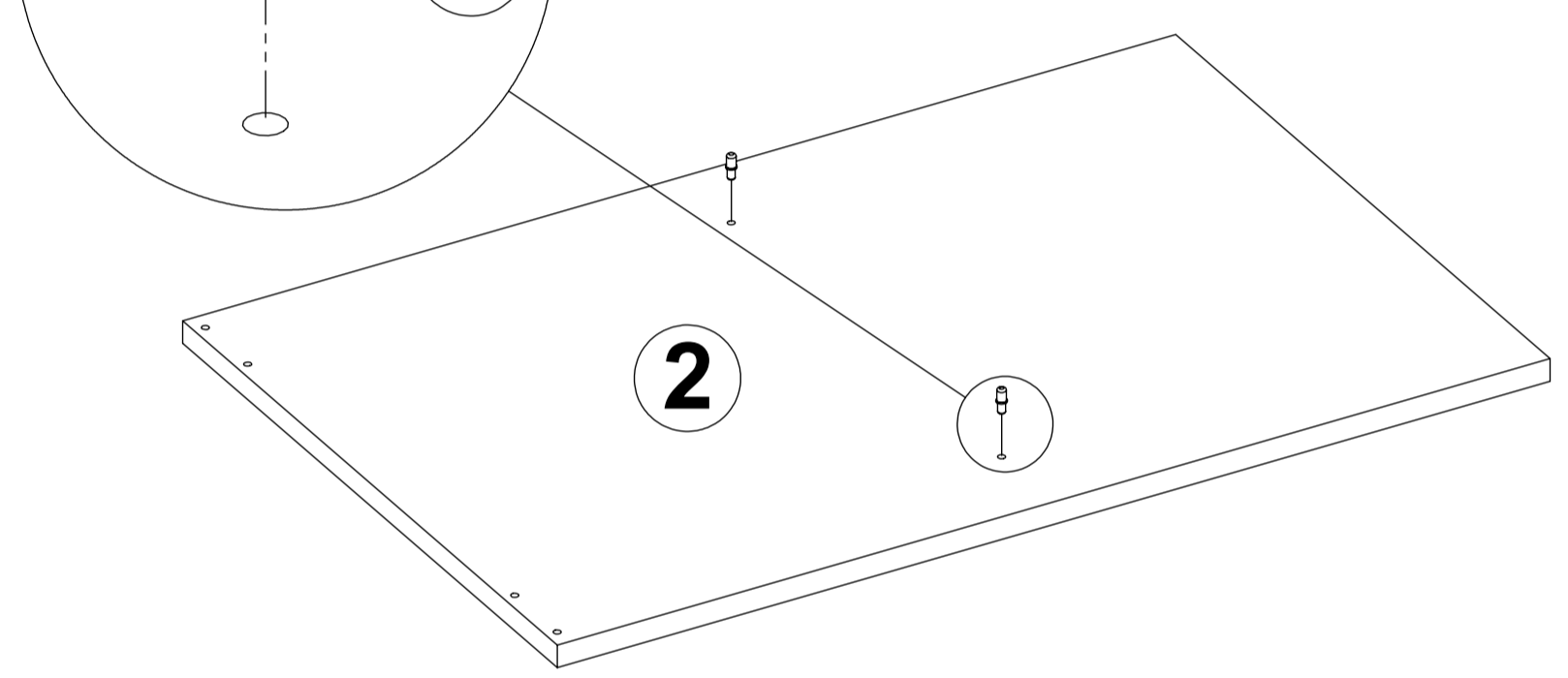
№ H 20/82 H 30/82 H 35/82 H 40/82 H 45/82 H 50/82 H 60/82 X

①	704x460	704x460	704x460	704x460	704x460	704x460	704x460	1
②	704x460	704x460	704x460	704x460	704x460	704x460	704x460	1
③	200x460	300x460	350x460	400x460	450x460	500x460	600x460	1
④	168x80	268x80	318x80	368x80	418x80	468x80	568x80	2
⑤	714x198	714x298	714x348	714x398	714x448	714x298	714x298	1
⑥	-	-	-	-	-	714x198	714x298	1
⑦	166x440	266x440	316x440	366x440	416x440	466x440	566x440	1
⑧	713x196	713x296	713x346	713x396	713x446	713x496	713x596	1
⑨	-	-	-	-	-	-	-	1

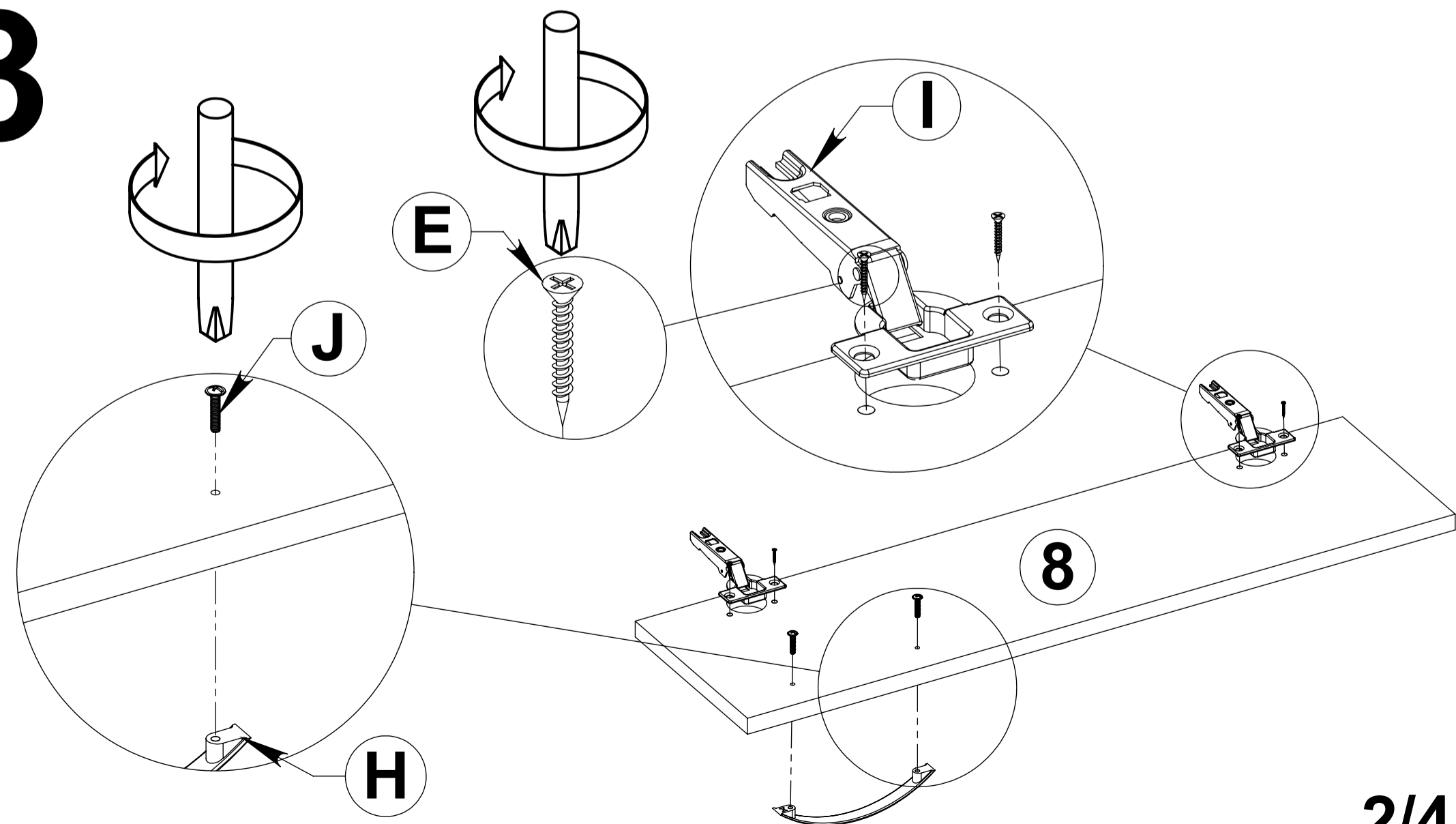
# 1

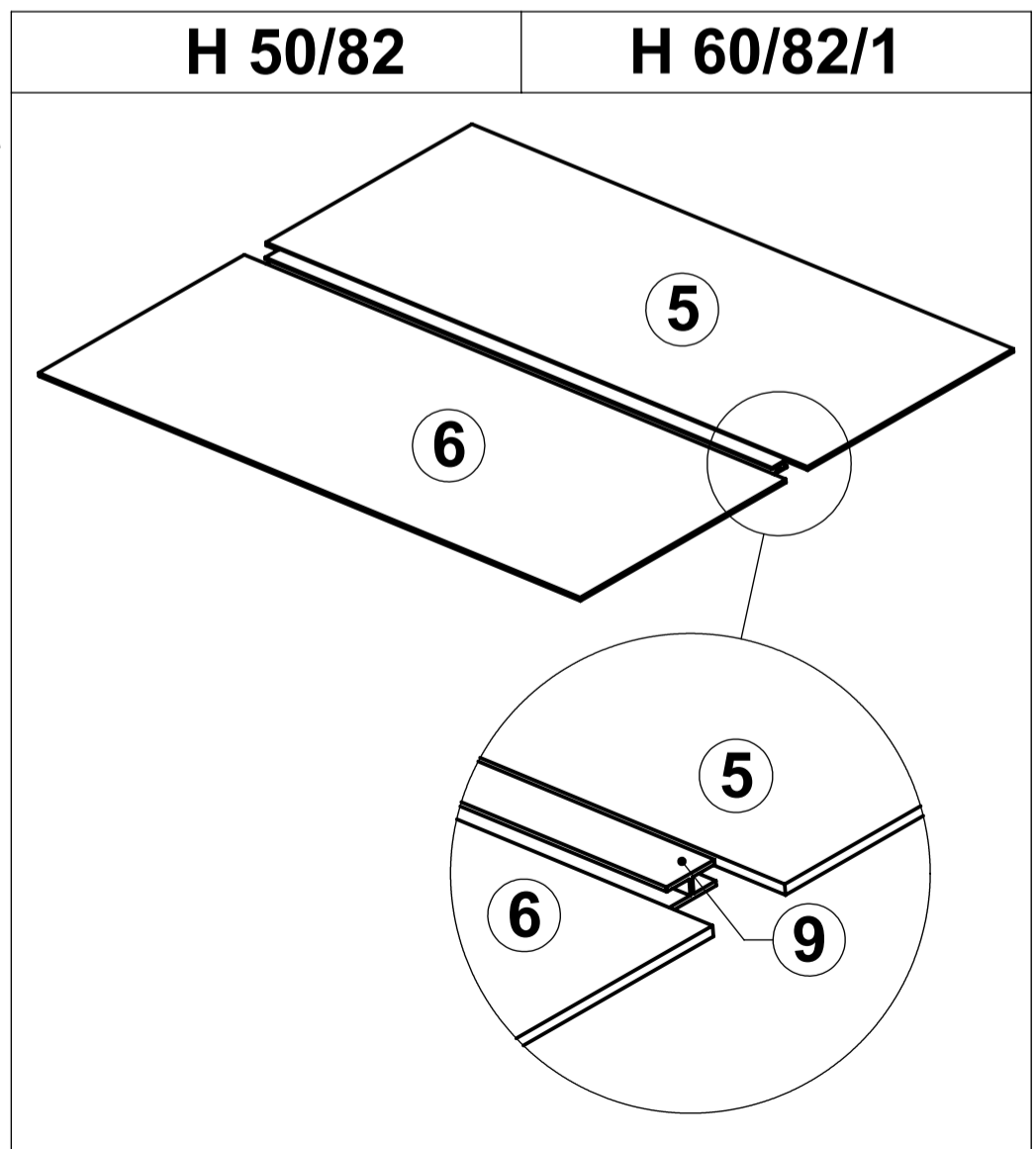
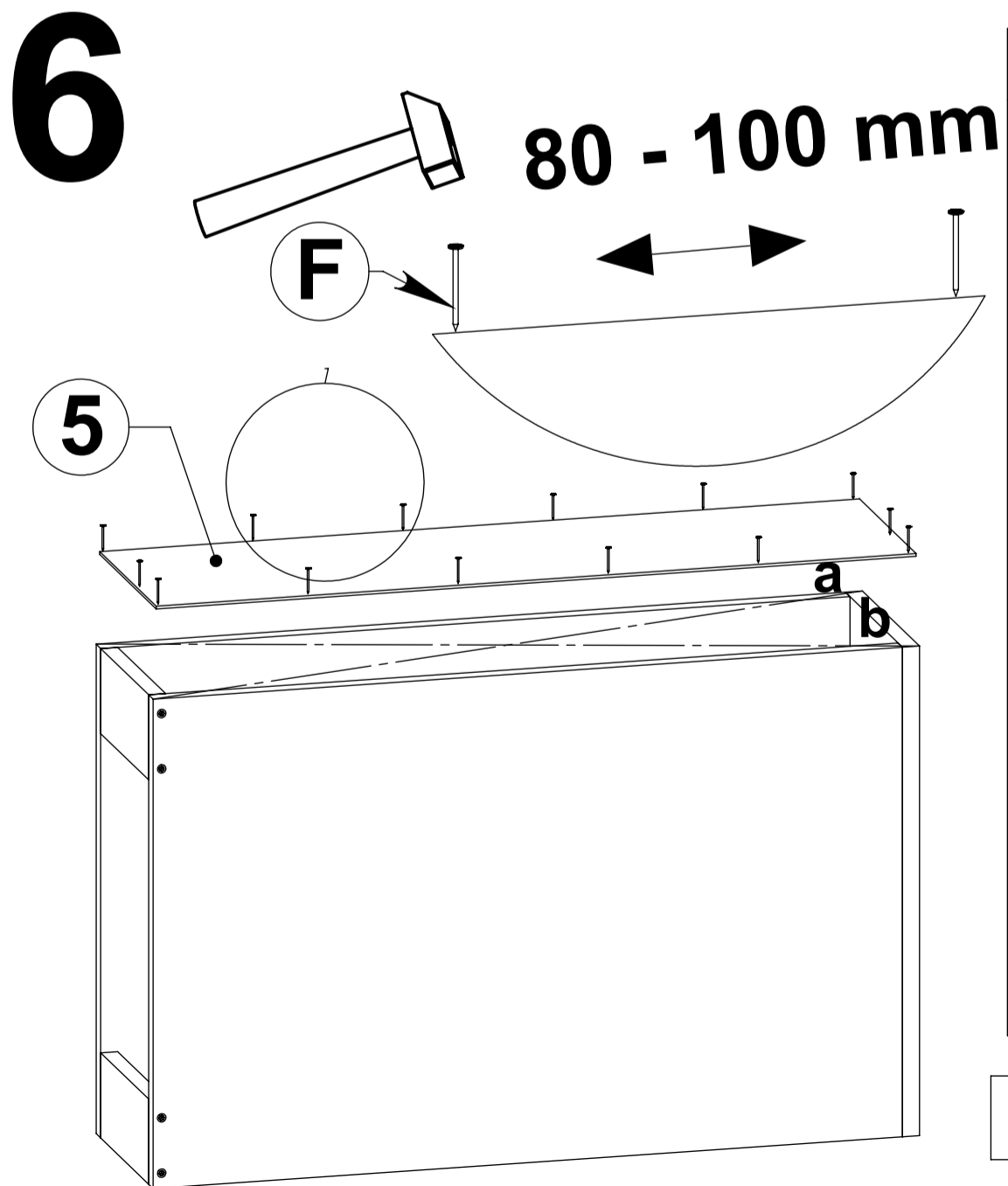
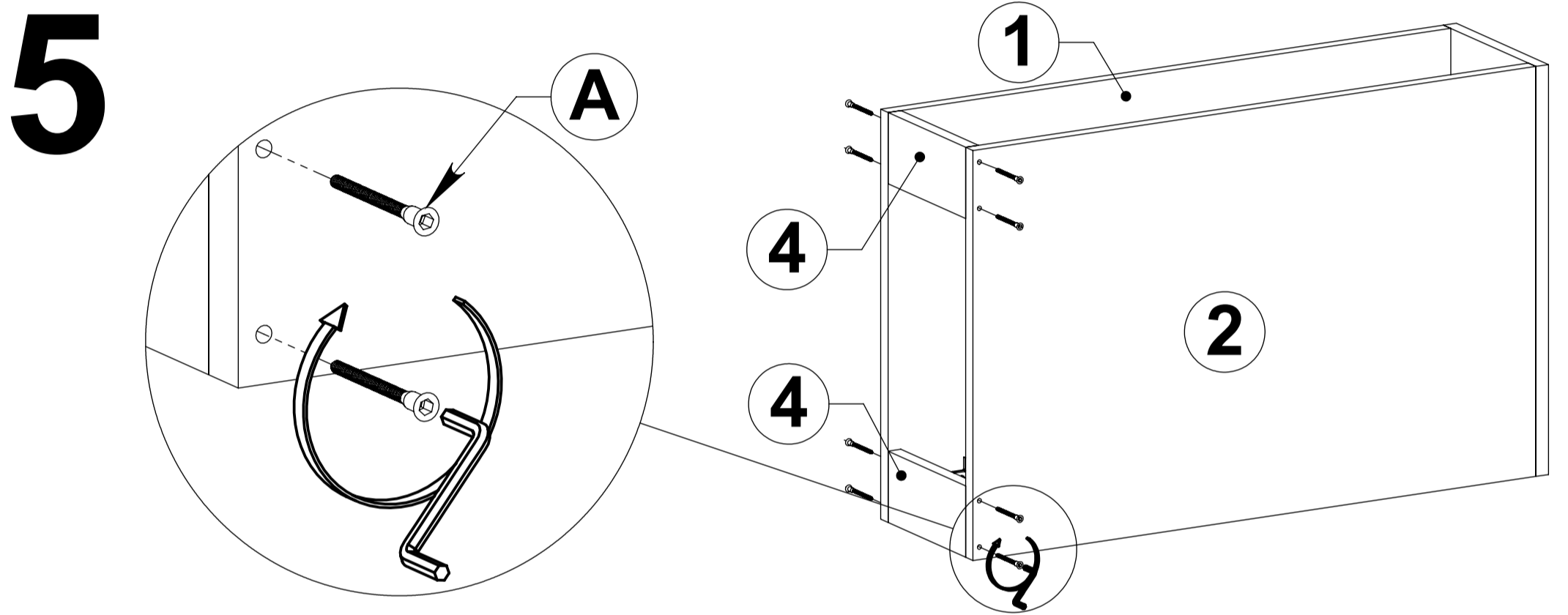
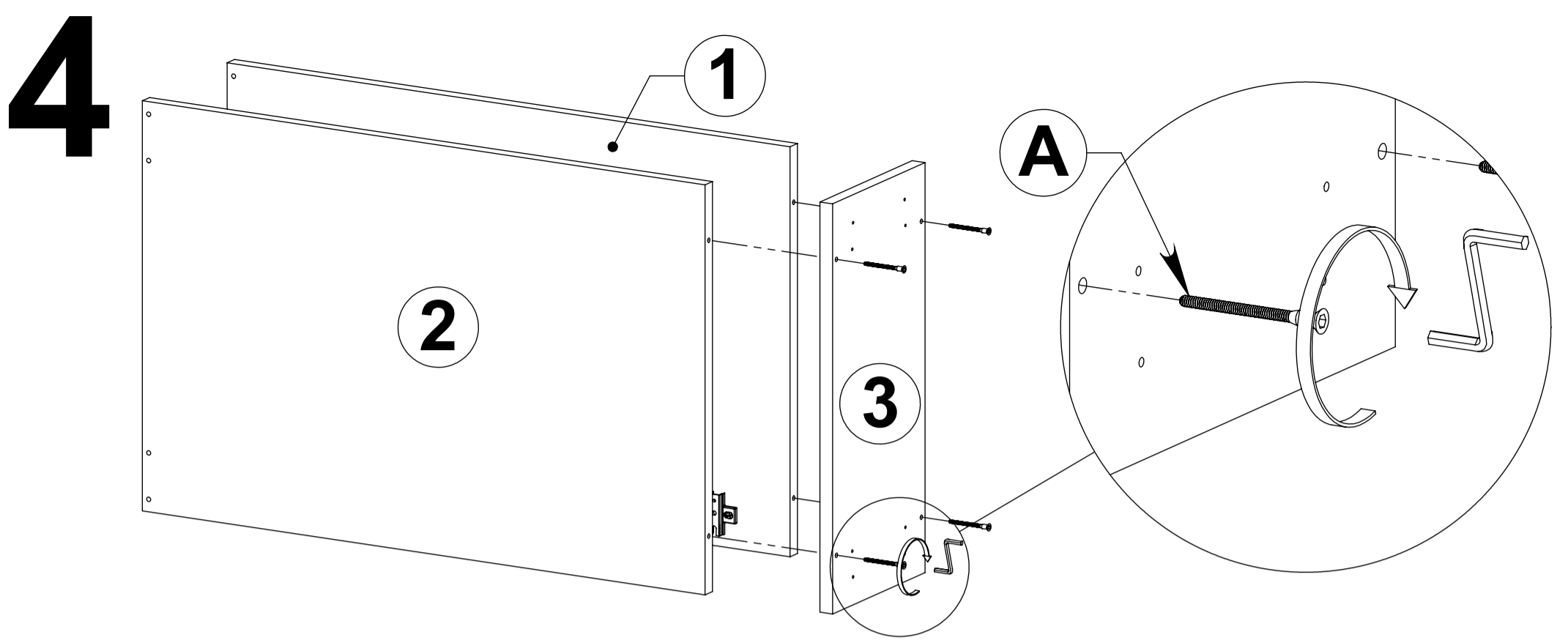


# 2



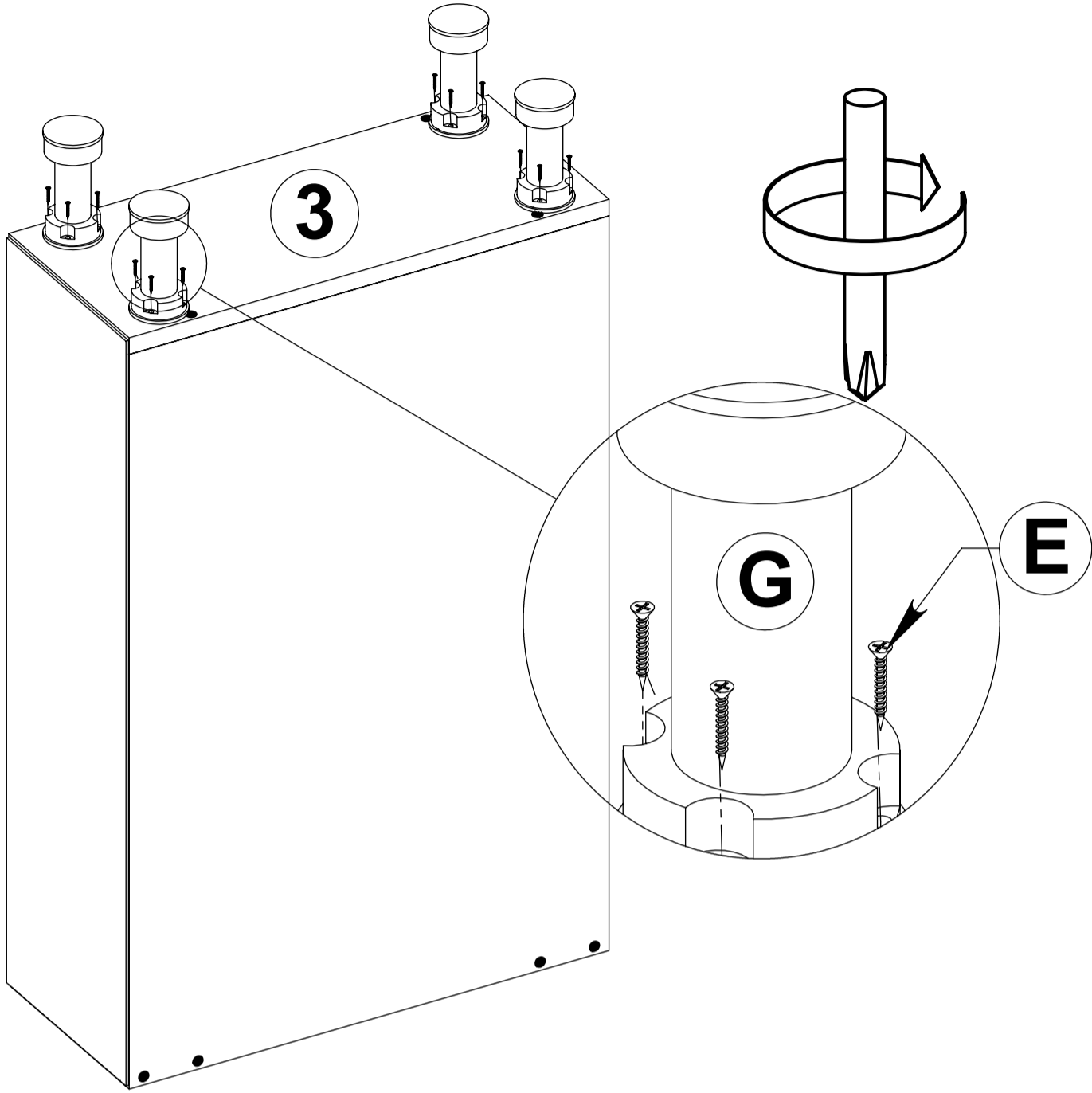
# 3



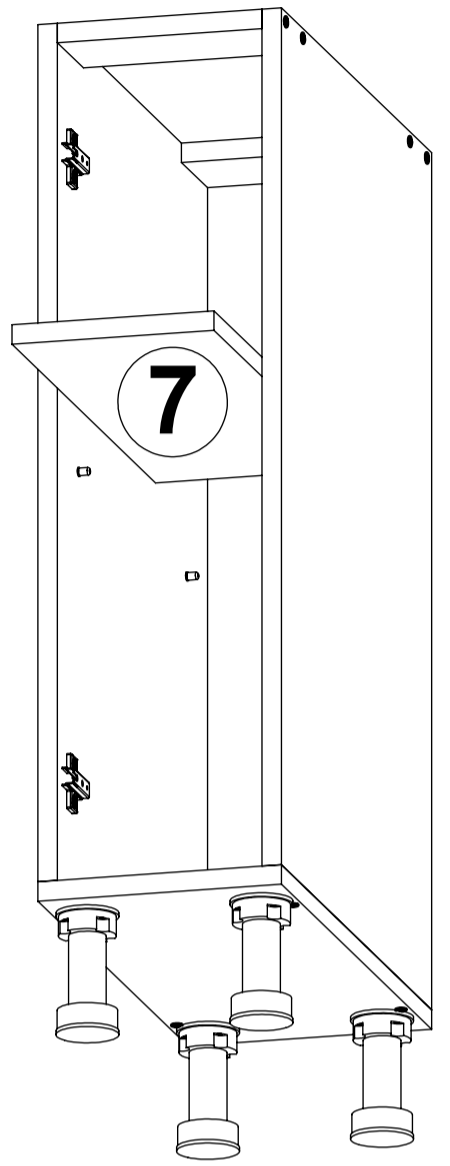


**a = b**

# 7



# 8



# 9

