

Виробництво меблів: Garant
м. Новоград-Волинський, Житомирська обл.,
Україна
garant-nv.com

Furniture production: Garant
Novograd-Volynskyi, Zhytomyr Region,
Ukraine
garant-nv.com

ШК 220x60/SDW 220x60

220/60/280 220/60/290 220/60/300 220/60/310 220/60/320 220/60/330 220/60/340 220/60/350 220/60/360 X

①	2106x600x16	2106x600x16	2106x600x16	2106x600x16	2106x600x16	2106x600x16	2106x600x16	2106x600x16	2106x600x16	2106x600x16	2
②	2106x500x16	2106x500x16	2106x500x16	2106x500x16	2106x500x16	2106x500x16	2106x500x16	2106x500x16	2106x500x16	2106x500x16	2
③	2106x500x16	2106x500x16	2106x500x16	2106x500x16	2106x500x16	2106x500x16	2106x500x16	2106x500x16	2106x500x16	2106x500x16	2
④	1400x600x16	1450x600x16	1500x600x16	1550x600x16	1600x600x16	1650x600x16	1700x600x16	1750x600x16	1800x600x16		2
⑤	1400x600x16	1450x600x16	1500x600x16	1550x600x16	1600x600x16	1650x600x16	1700x600x16	1750x600x16	1800x600x16		2
⑥	922x500x16	972x500x16	1022x500x16	1072x500x16	1122x500x16	1172x500x16	1052x500x16	1102x500x16	1152x500x16		4
⑦	430x500x16	430x500x16	430x500x16	430x500x16	430x500x16	430x500x16	600x500x16	600x500x16	600x500x16		8
⑧	300x500x16	300x500x16	300x500x16	300x500x16	300x500x16	300x500x16	300x500x16	300x500x16	300x500x16		4
⑨	600x60x16	600x60x16	600x60x16	600x60x16	600x60x16	600x60x16	600x60x16	600x60x16	600x60x16		2
⑩	1344x60x16	1394x60x16	1444x60x16	1494x60x16	1544x60x16	1594x60x16	1644x60x16	1694x60x16	1744x60x16		4
⑪	425x1396x2,5	425x1446x2,5	425x1496x2,5	425x1546x2,5	425x1596x2,5	425x1646x2,5	425x1696x2,5	425x1746x2,5	425x1796x2,5		10
⑫	2064x705	2064x730	2064x755	2064x780	2064x805	2064x830	2064x855	2064x880	2064x905		4
⑬	L=2764	L=2864	L=2964	L=3064	L=3164	L=3264	L=3364	L=3464	L=3564		1
⑭	L=2764	L=2864	L=2964	L=3064	L=3164	L=3264	L=3364	L=3464	L=3564		1

A



x85

A1



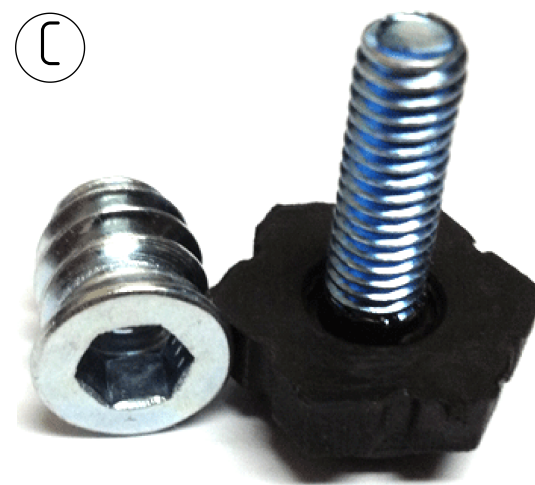
x85

B



x40 4,0*16

C



x16

D



x150

E



x32

E1



x32

F



x18,12

G



x4

G1



x2

H



x4

I



x16

J



x16

K



x12

3,5*16

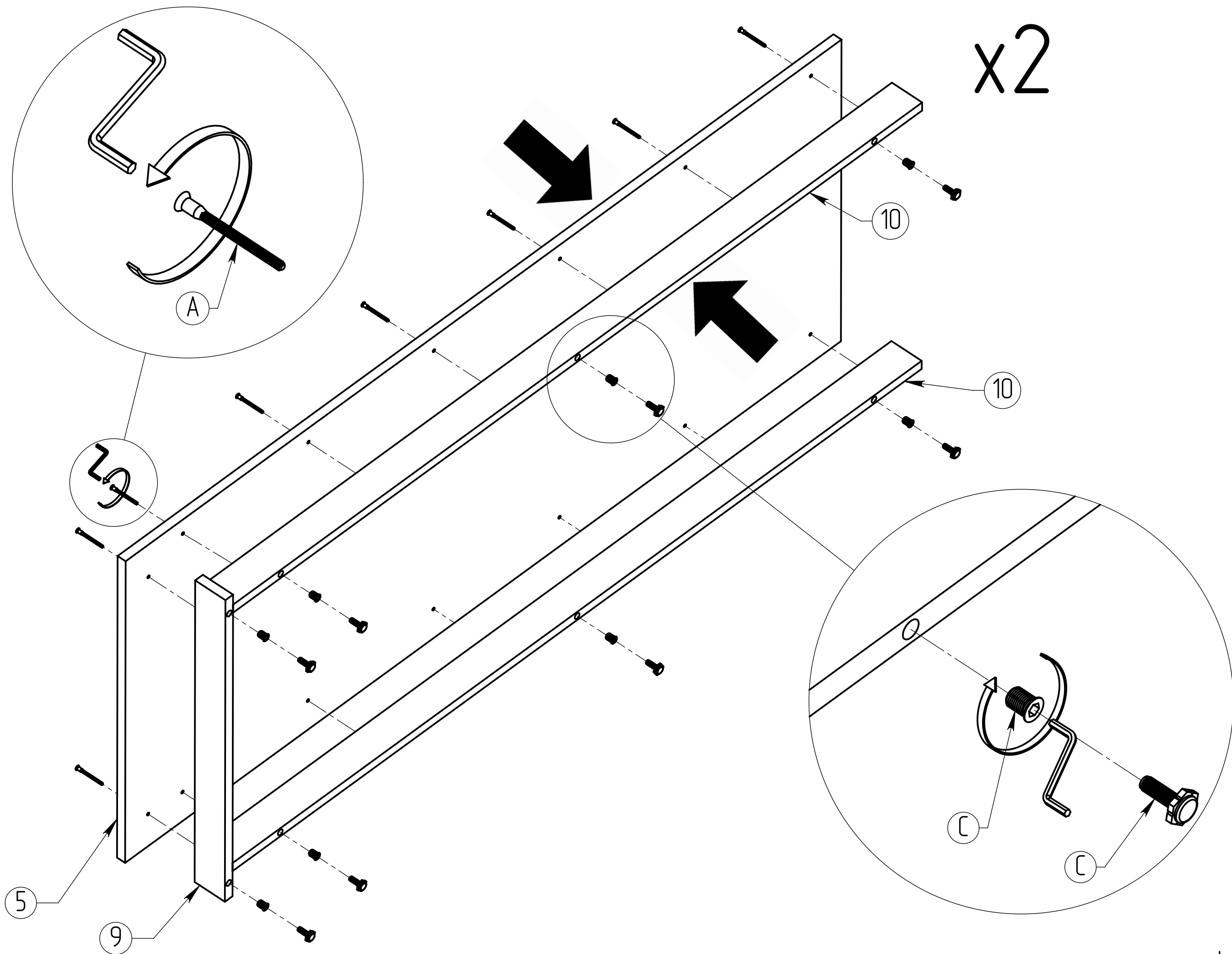
L



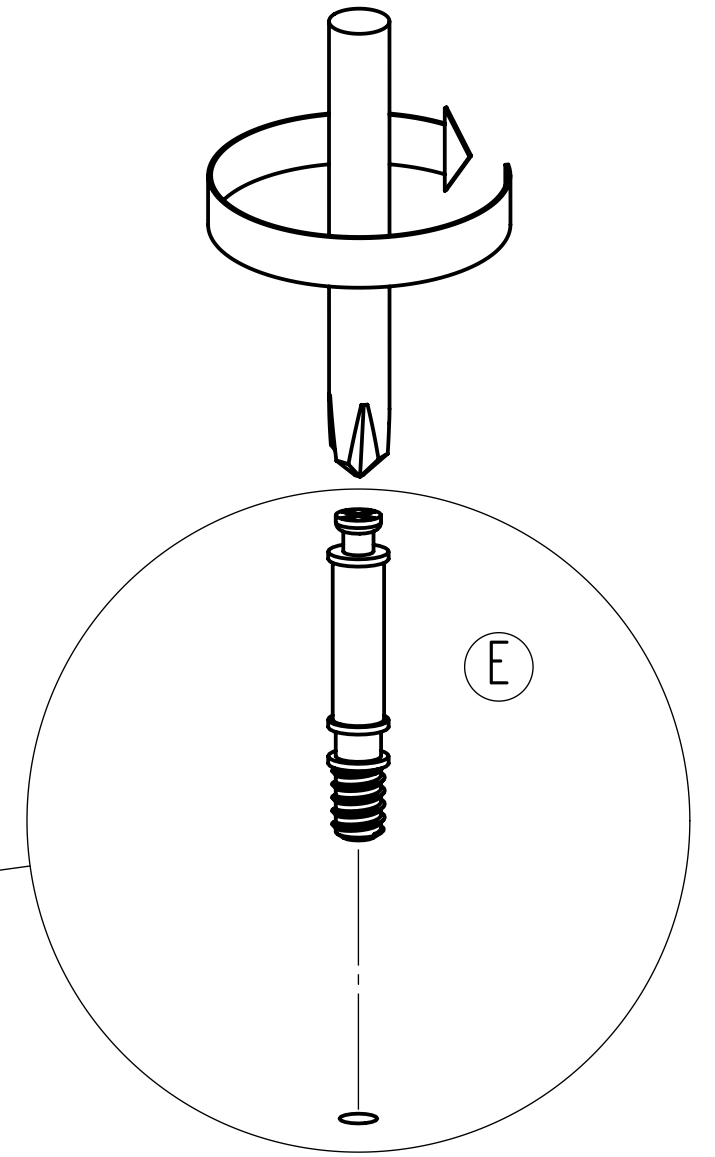
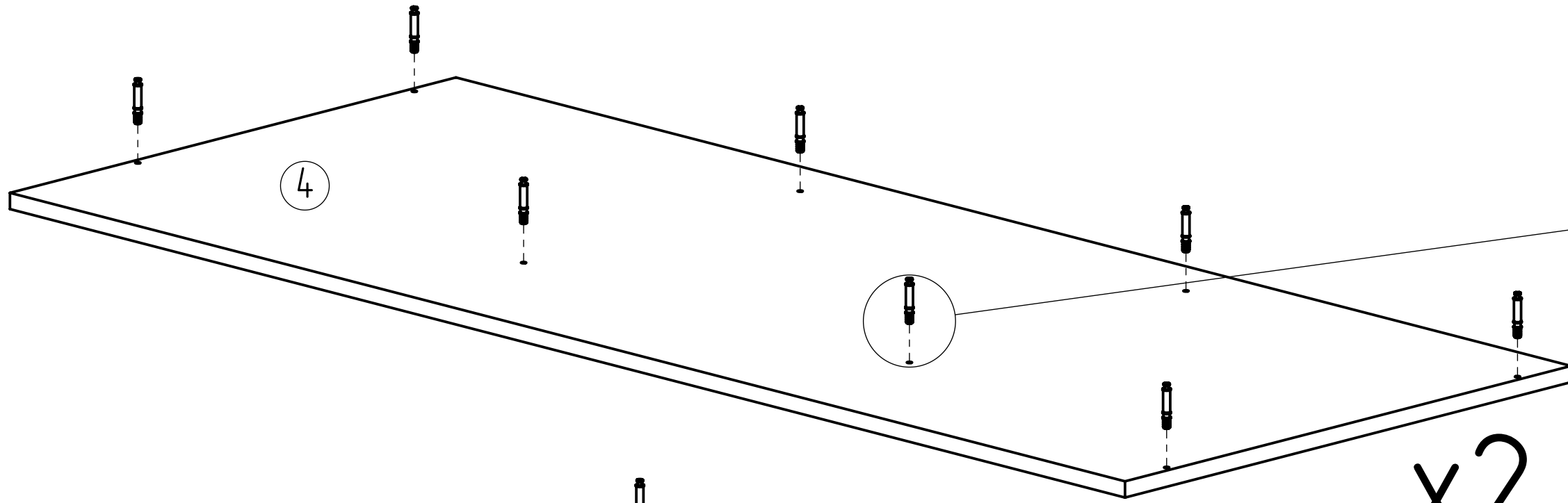
x6

1

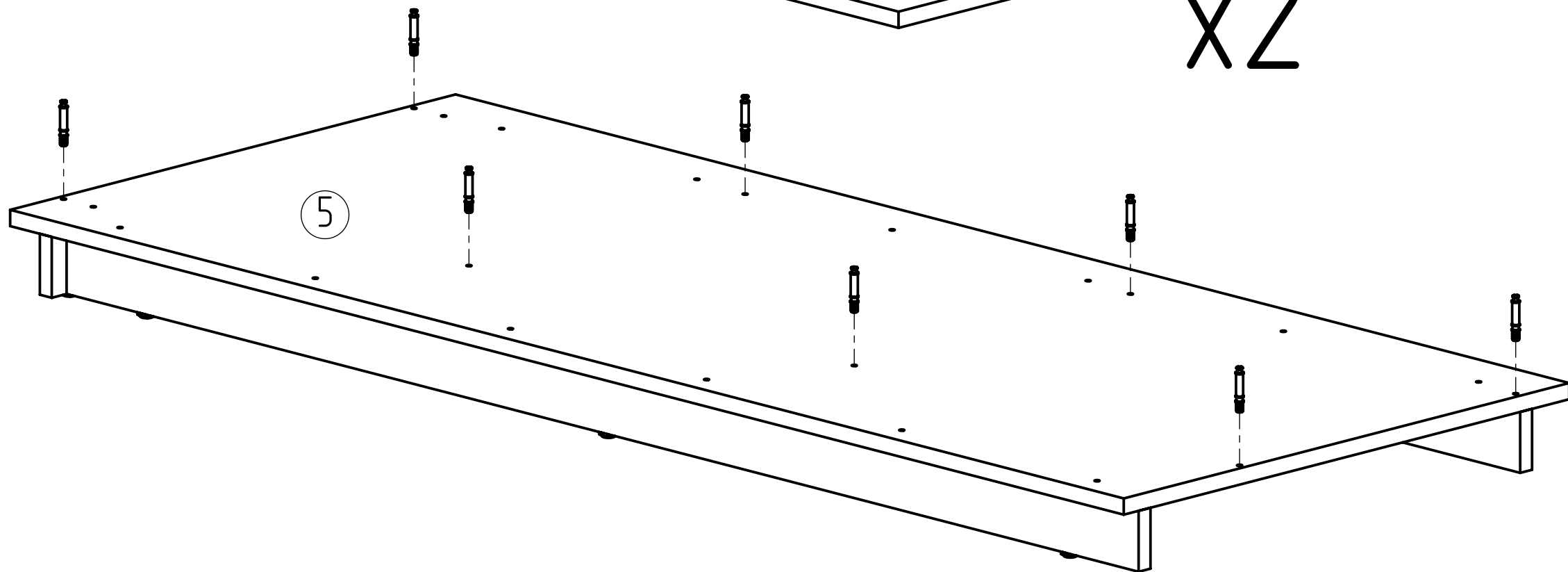
x2



2

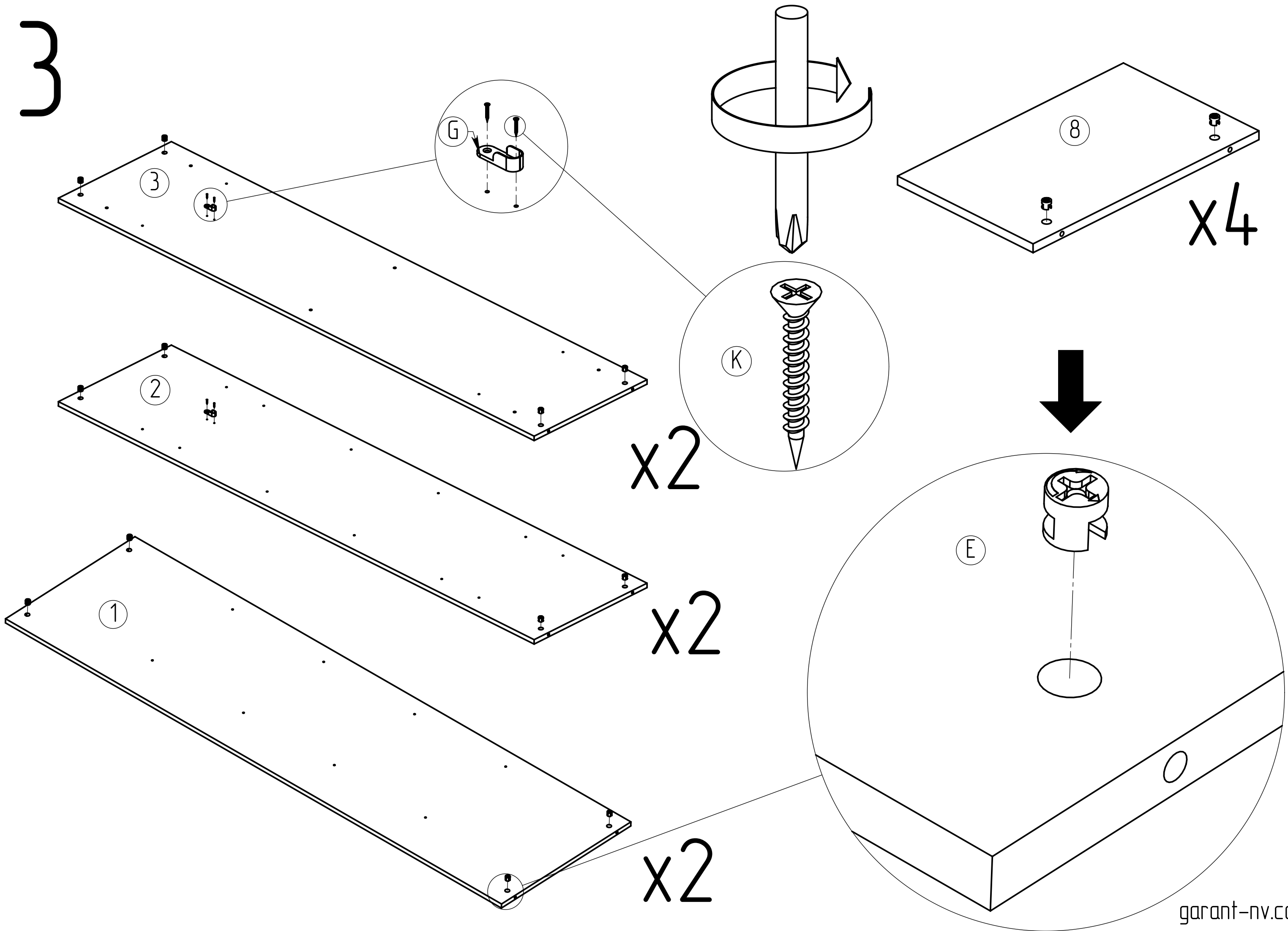


x2



x2

3



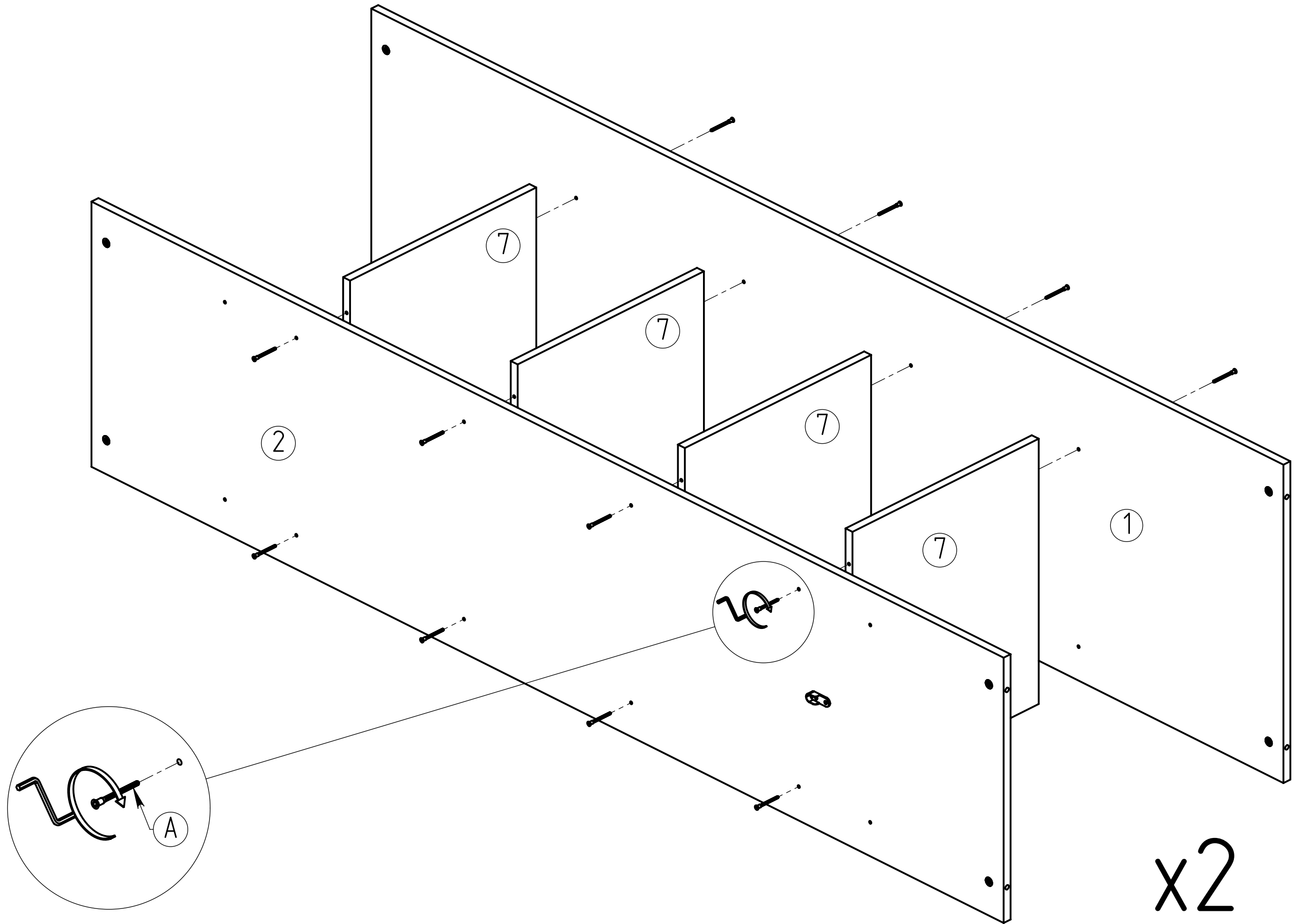
x4

x2

x2

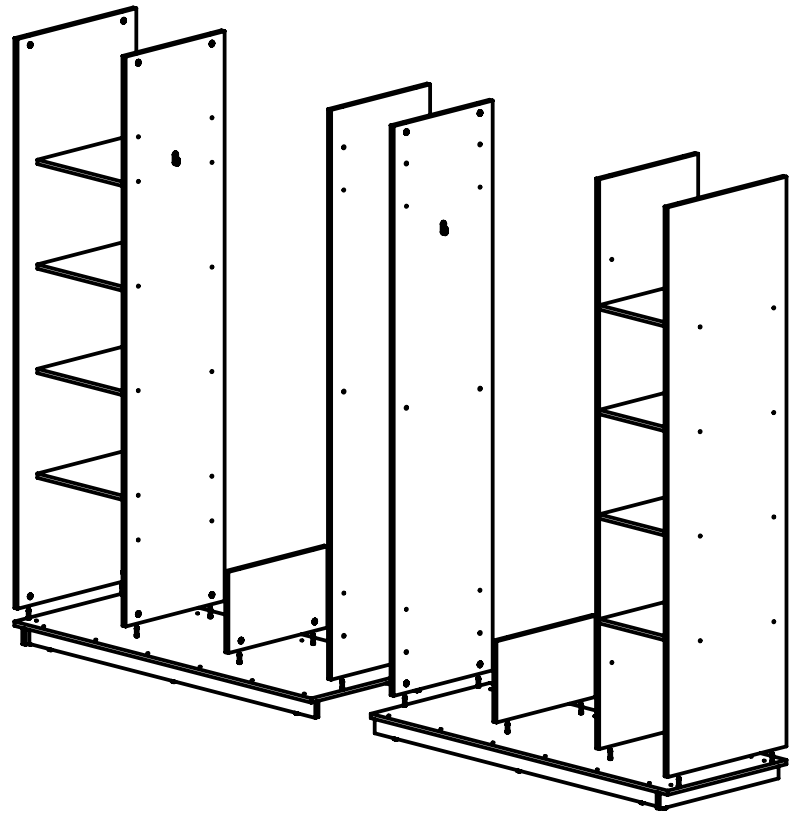
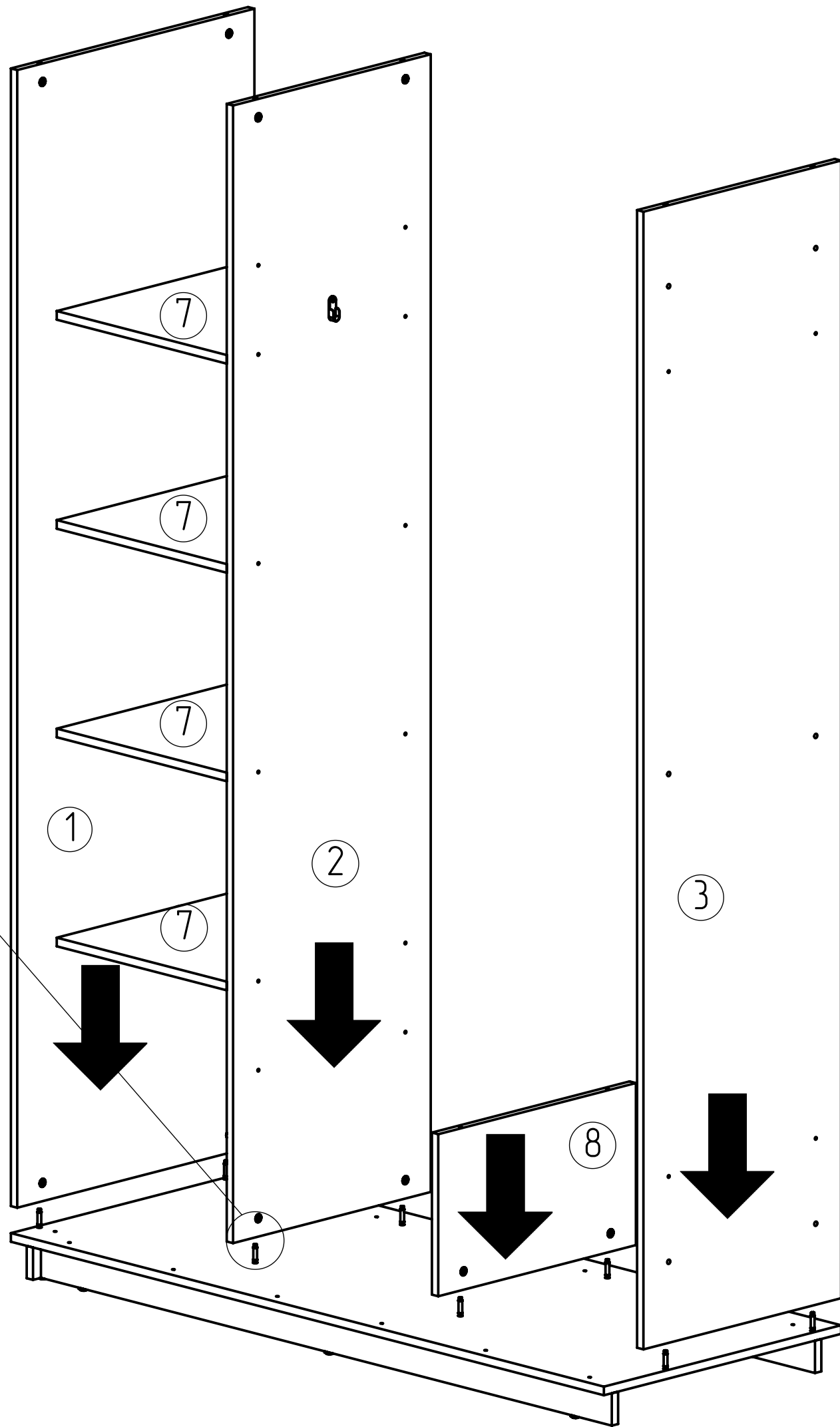
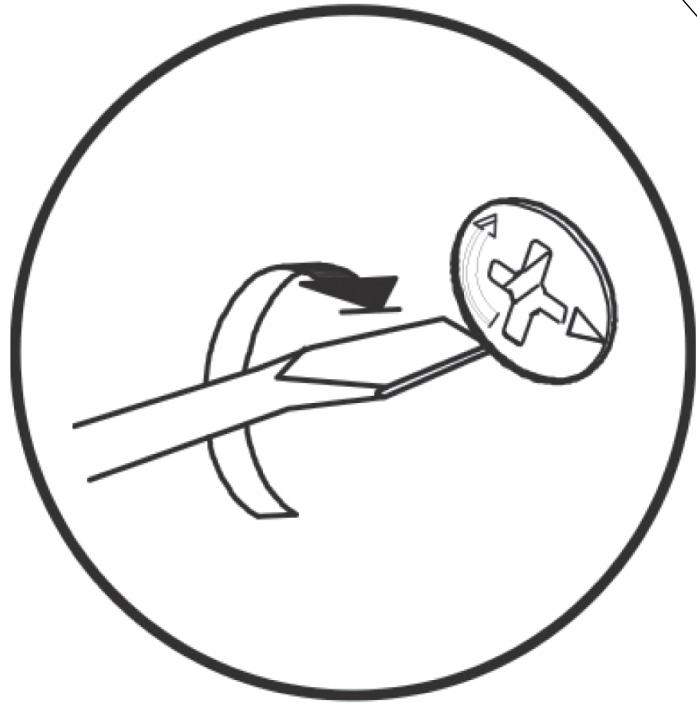
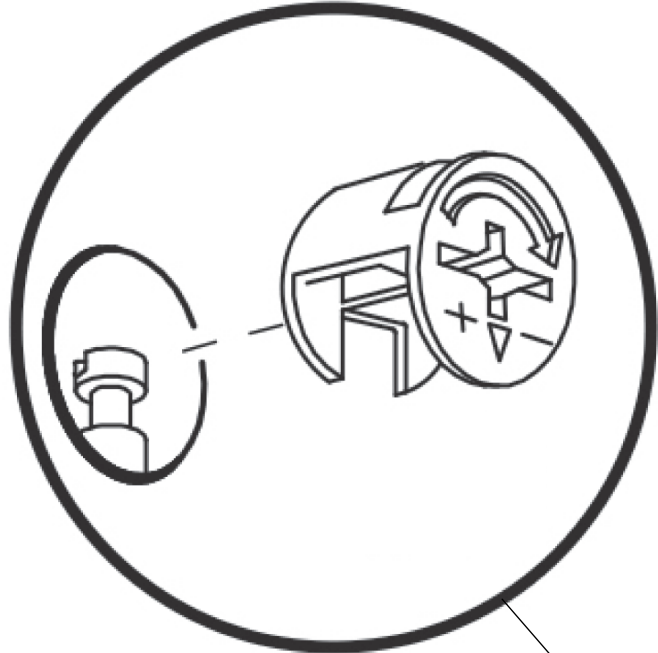
x2

4



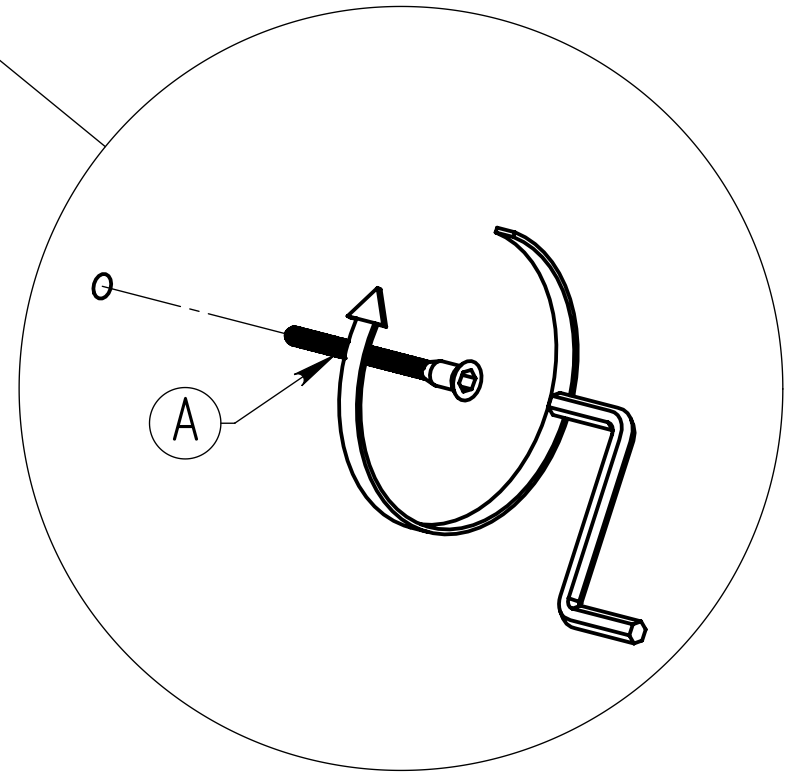
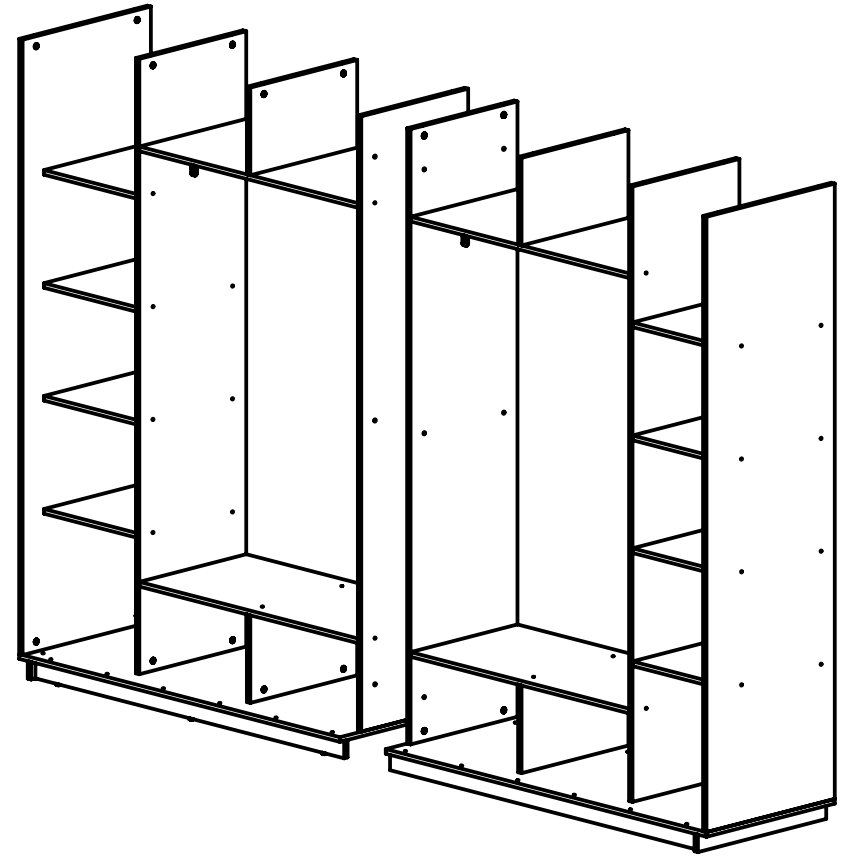
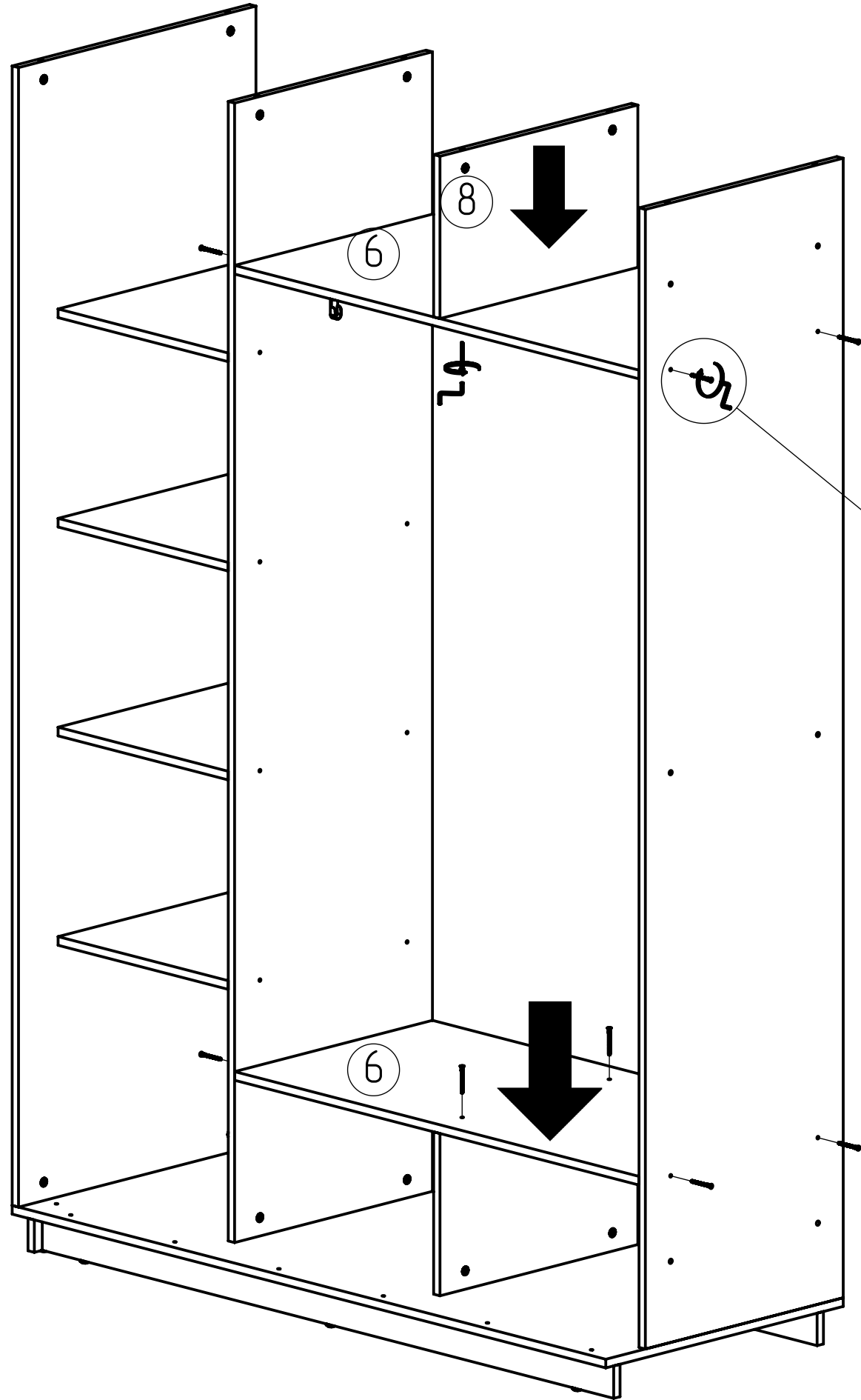
x2

5



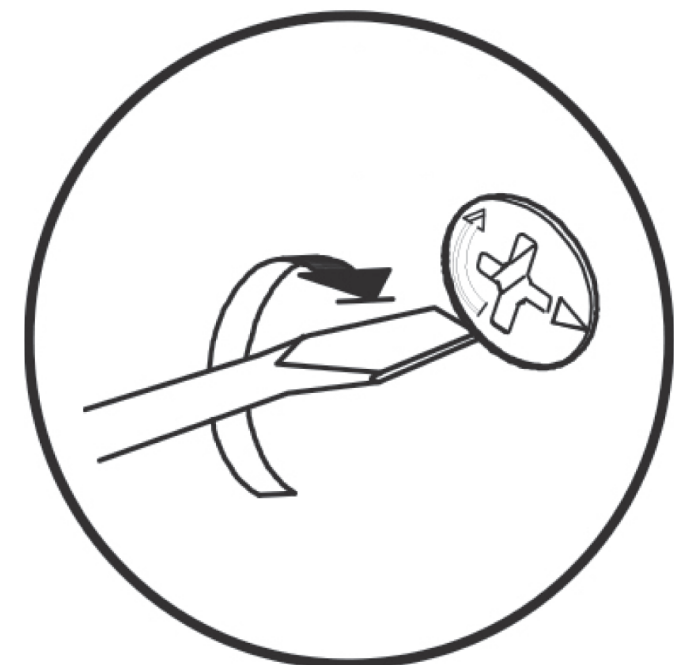
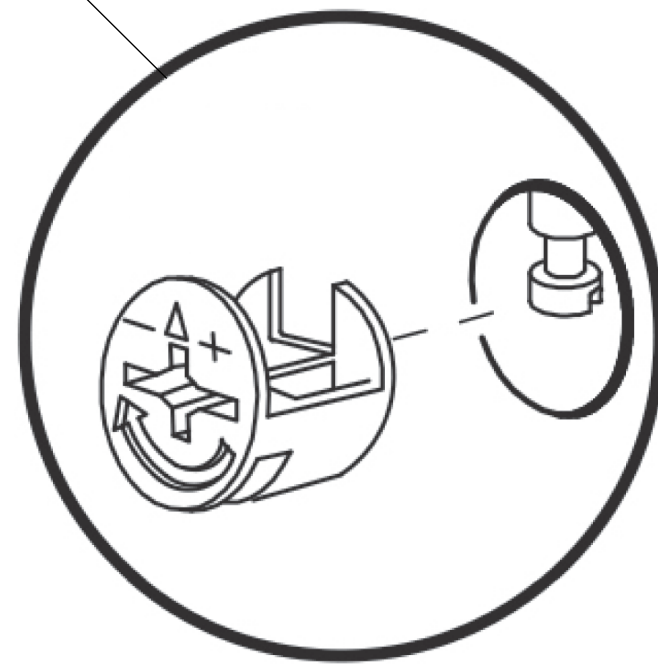
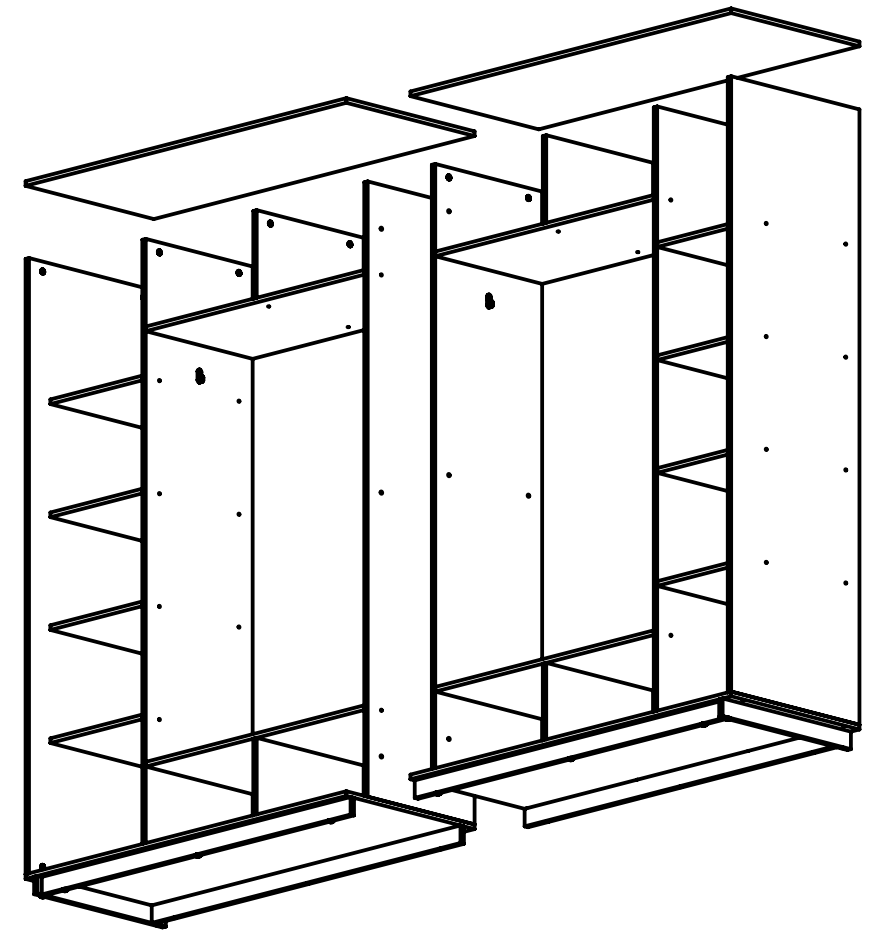
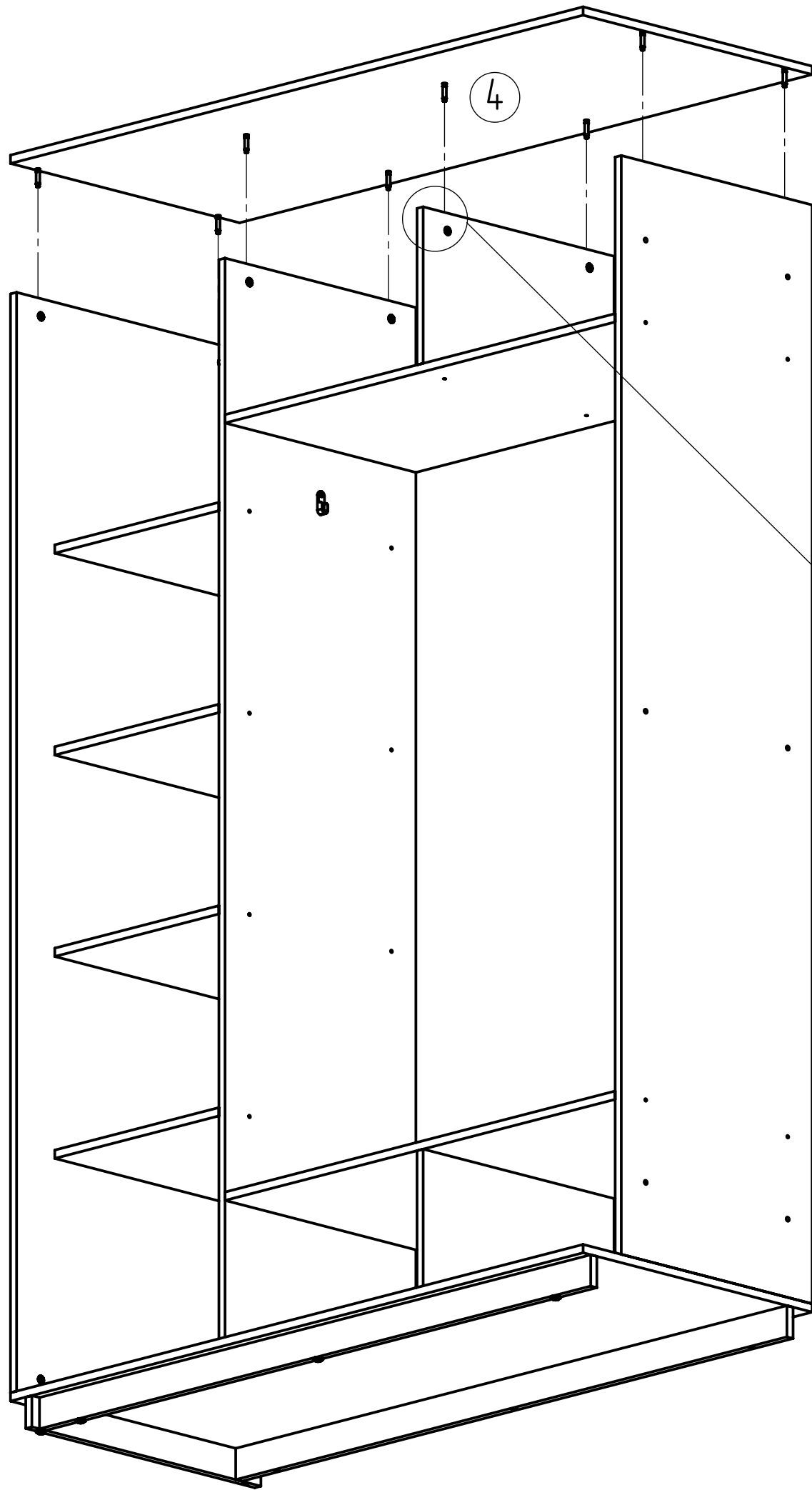
x2

6



x2

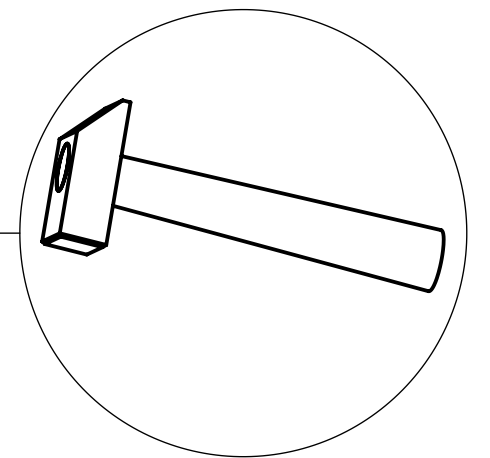
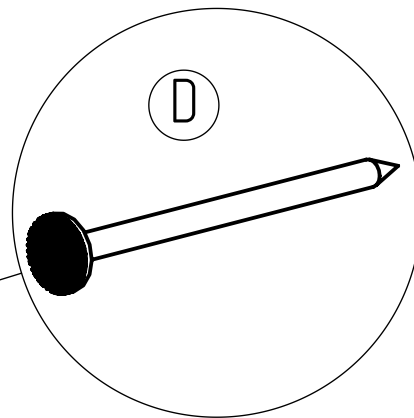
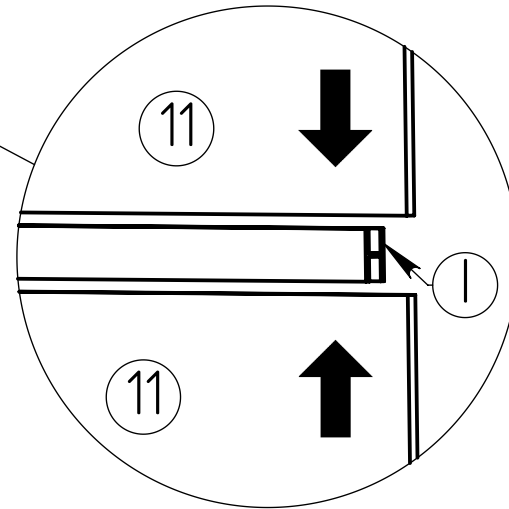
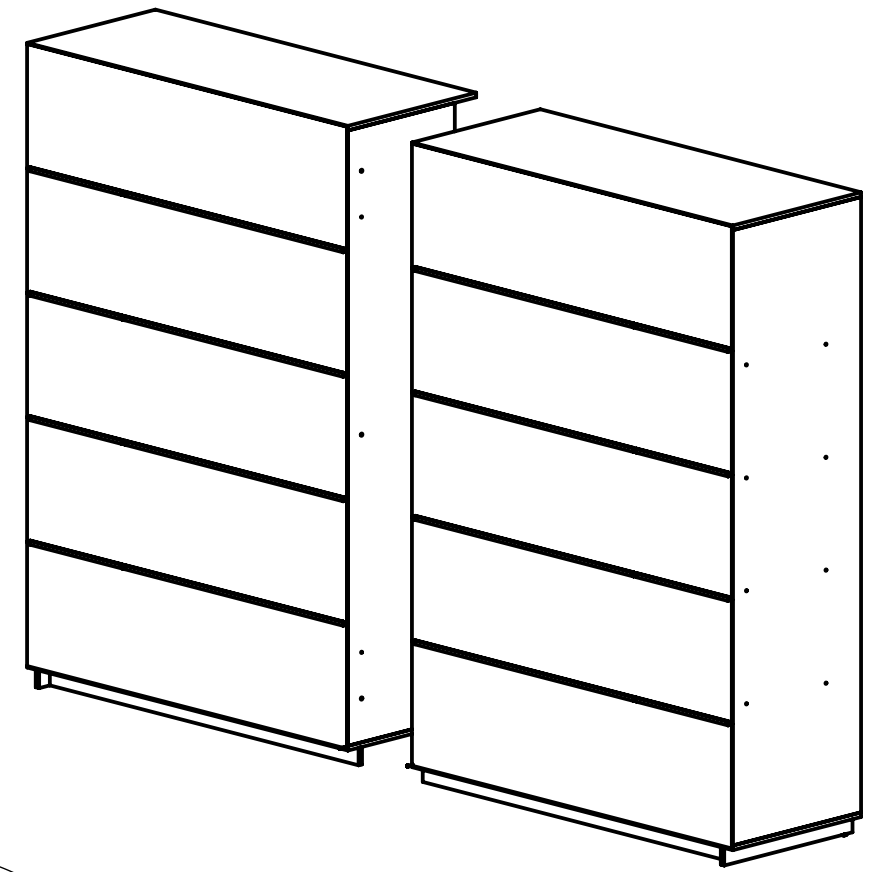
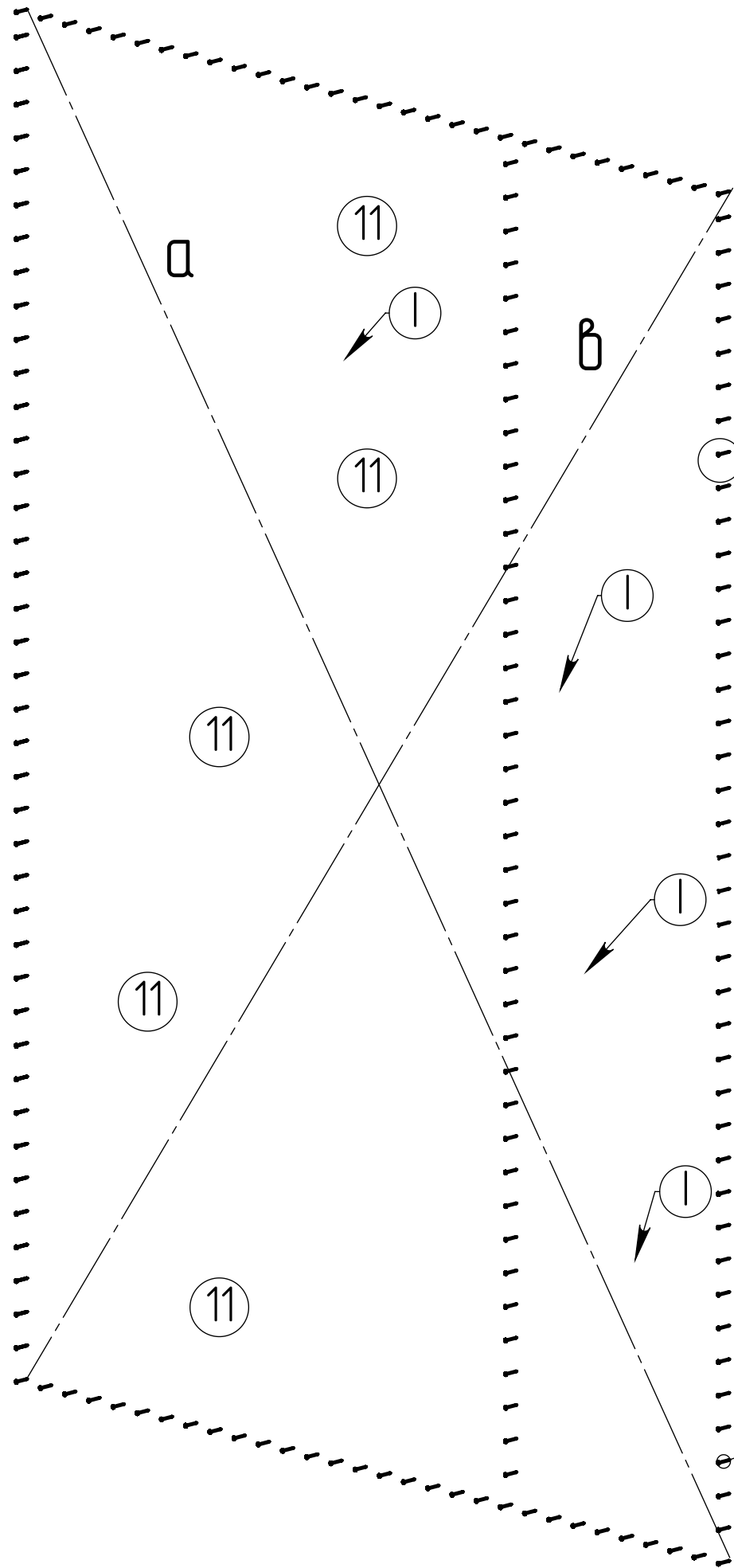
7



x2

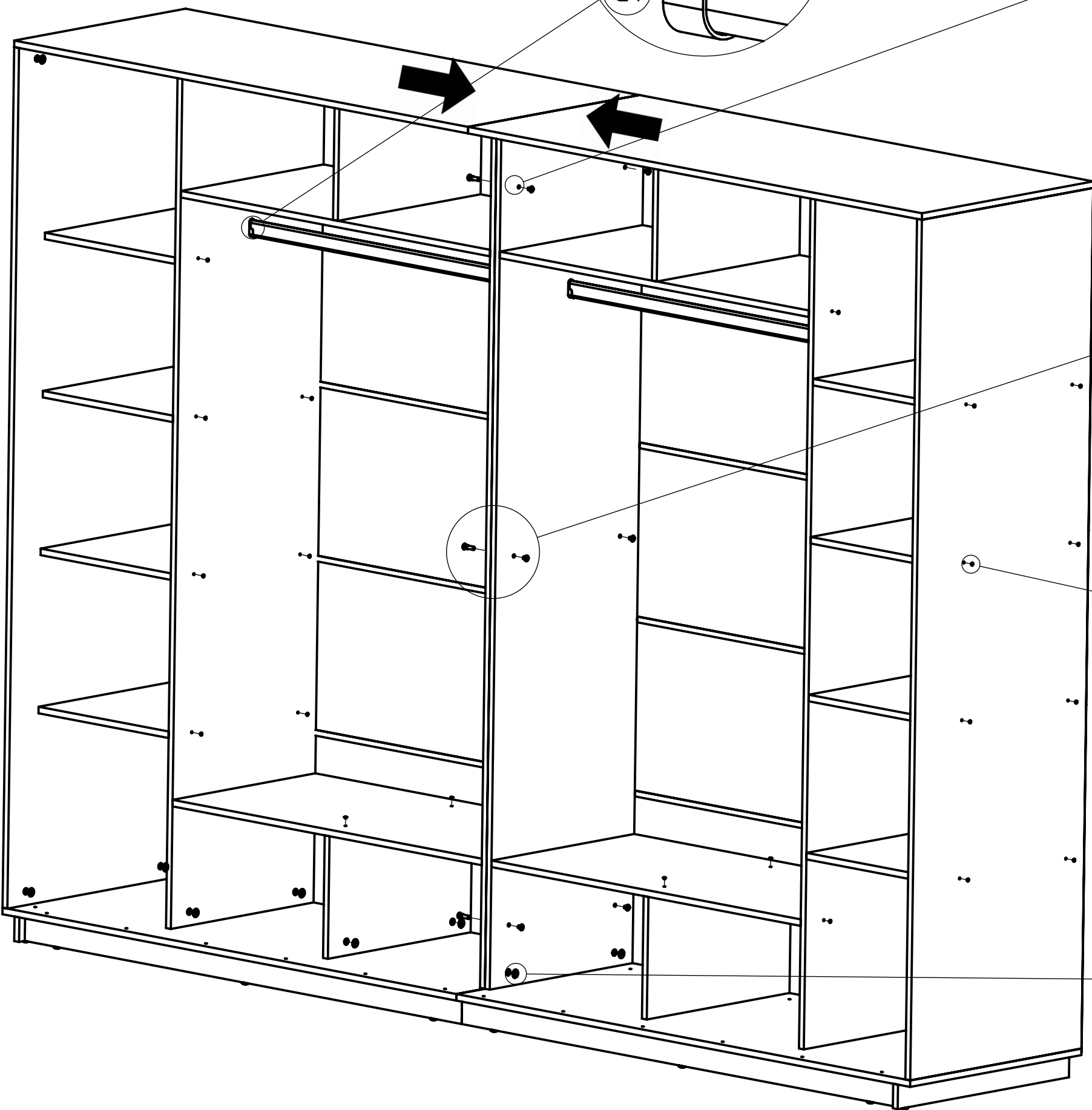
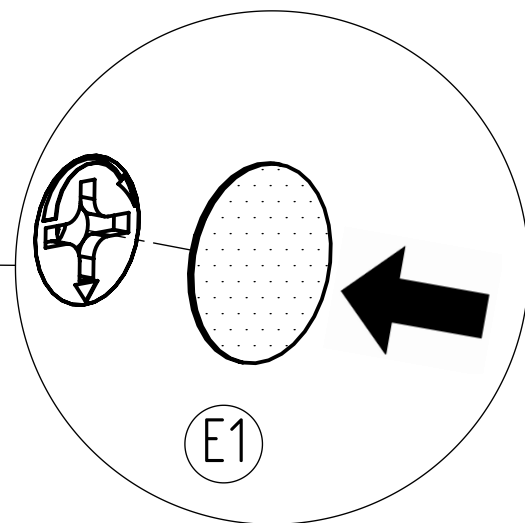
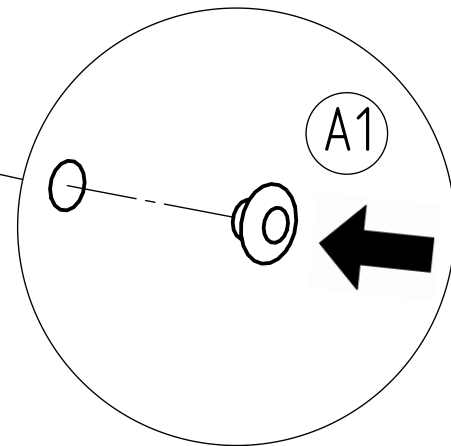
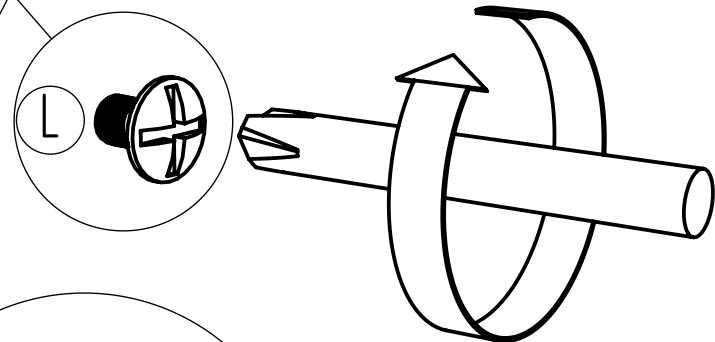
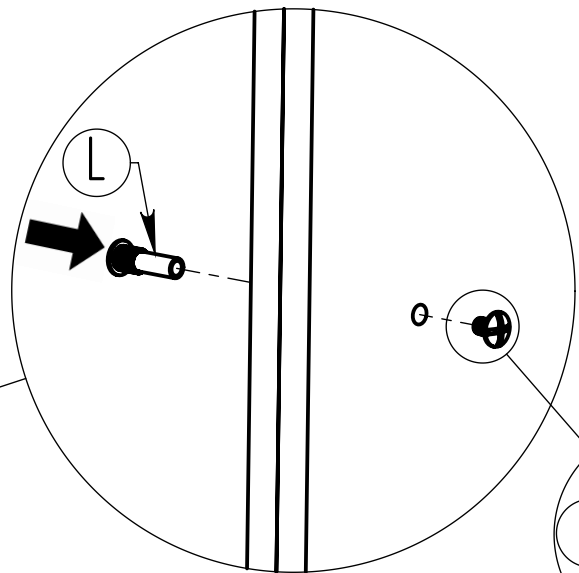
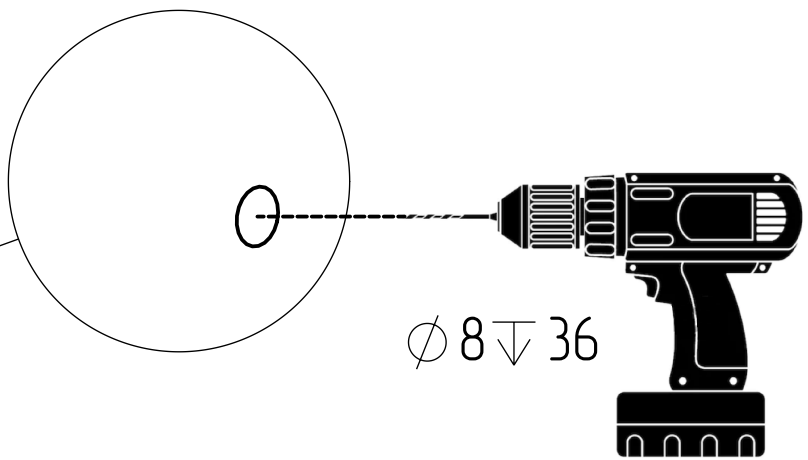
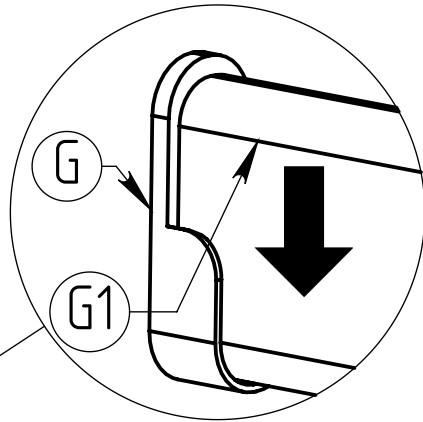
8

$a = b$

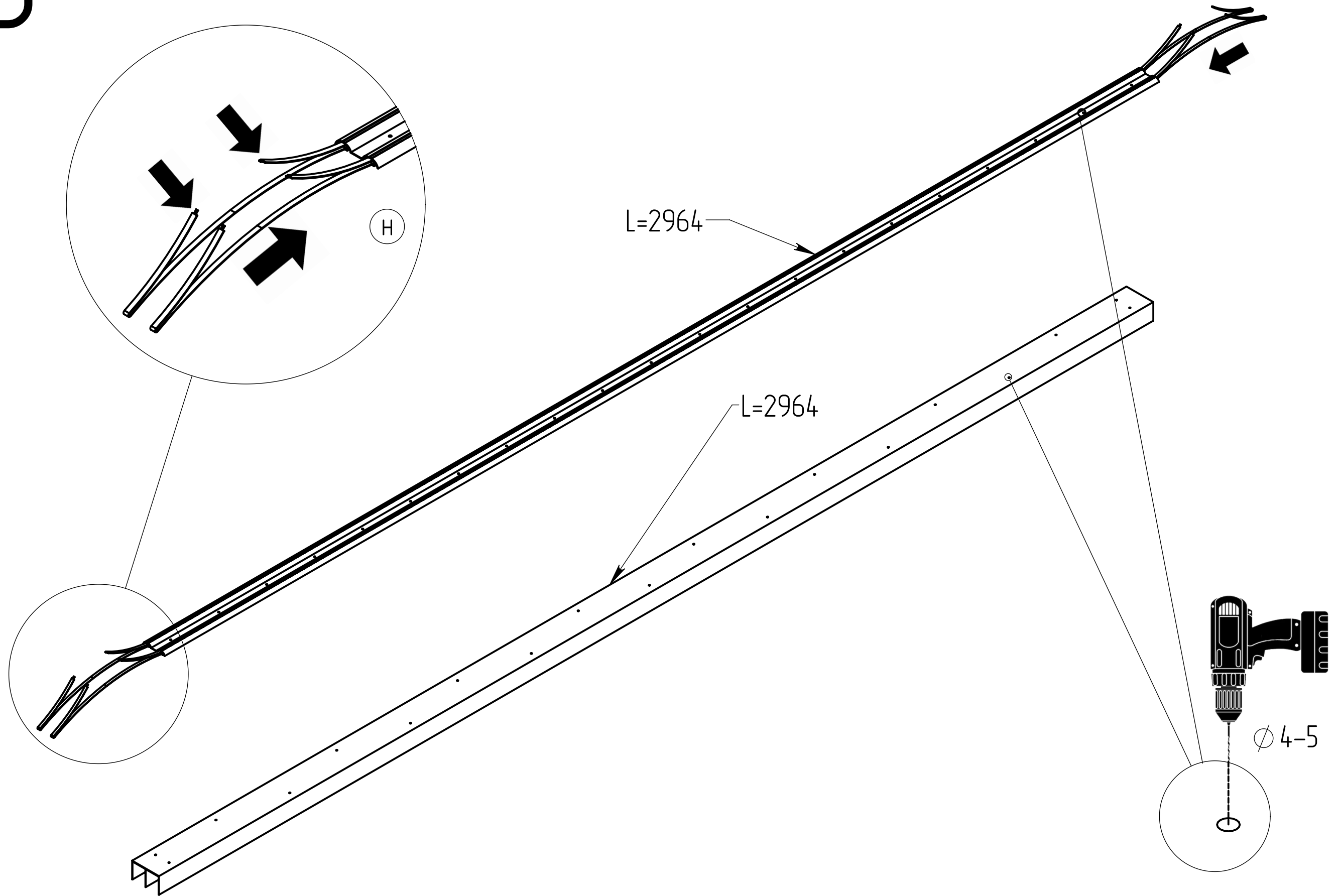


x2

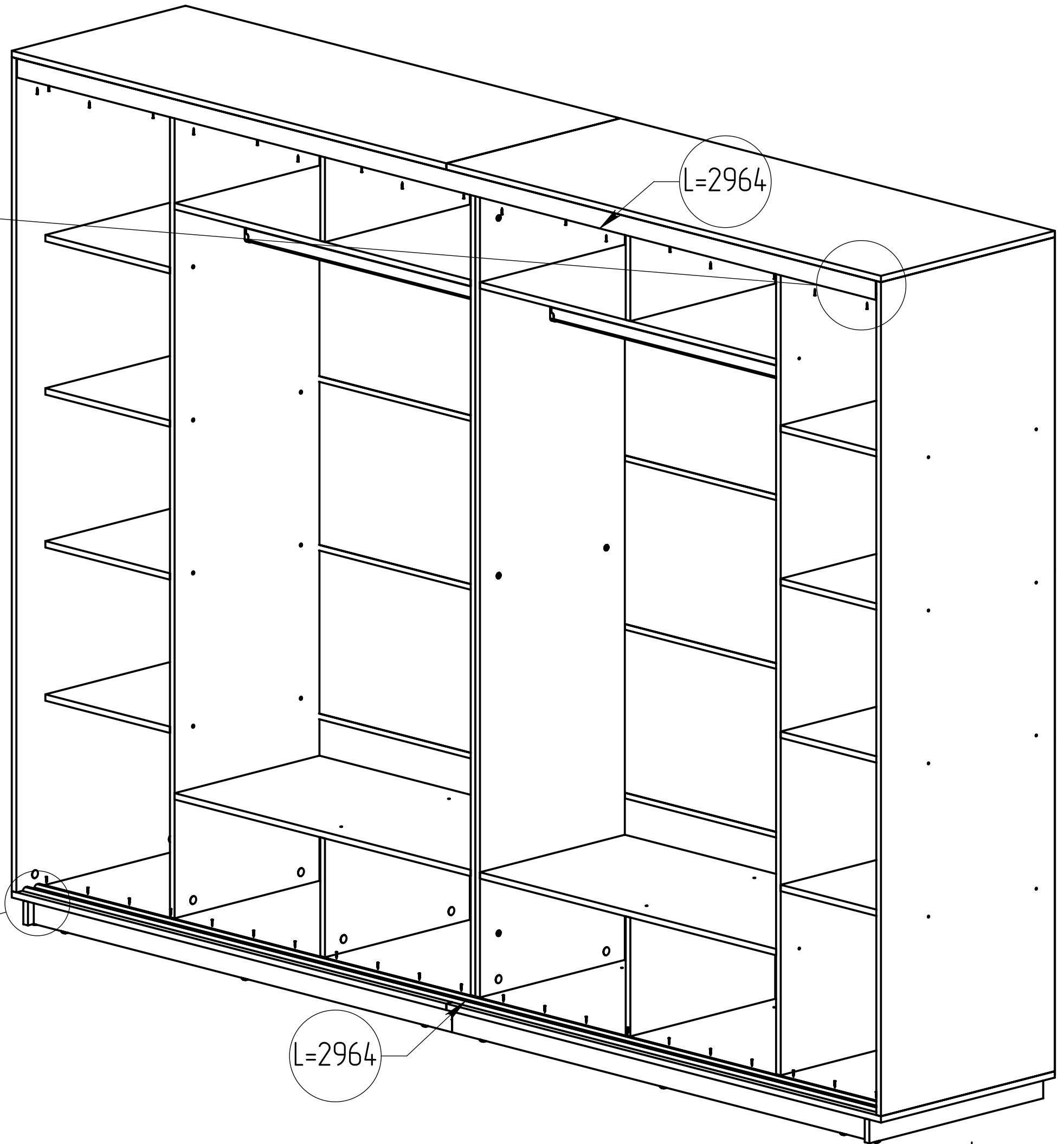
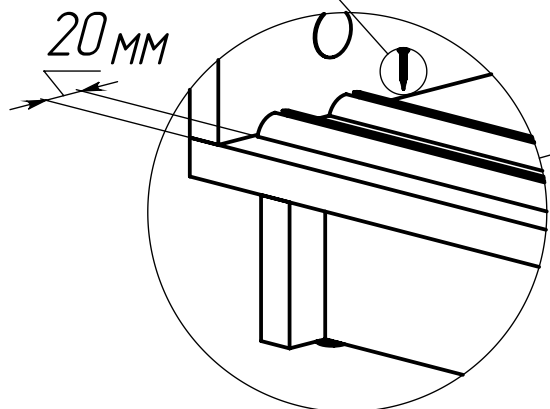
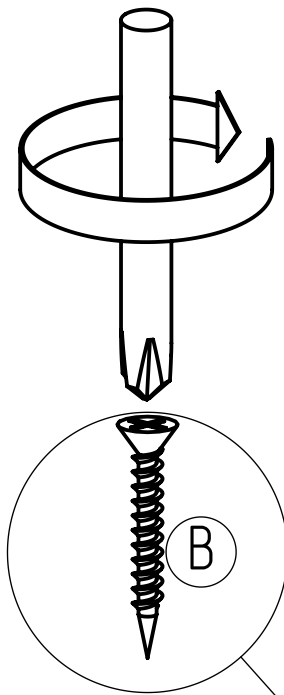
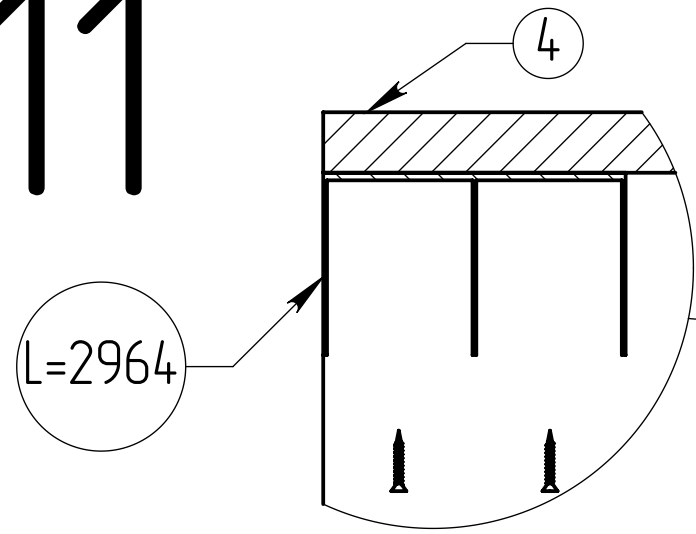
9



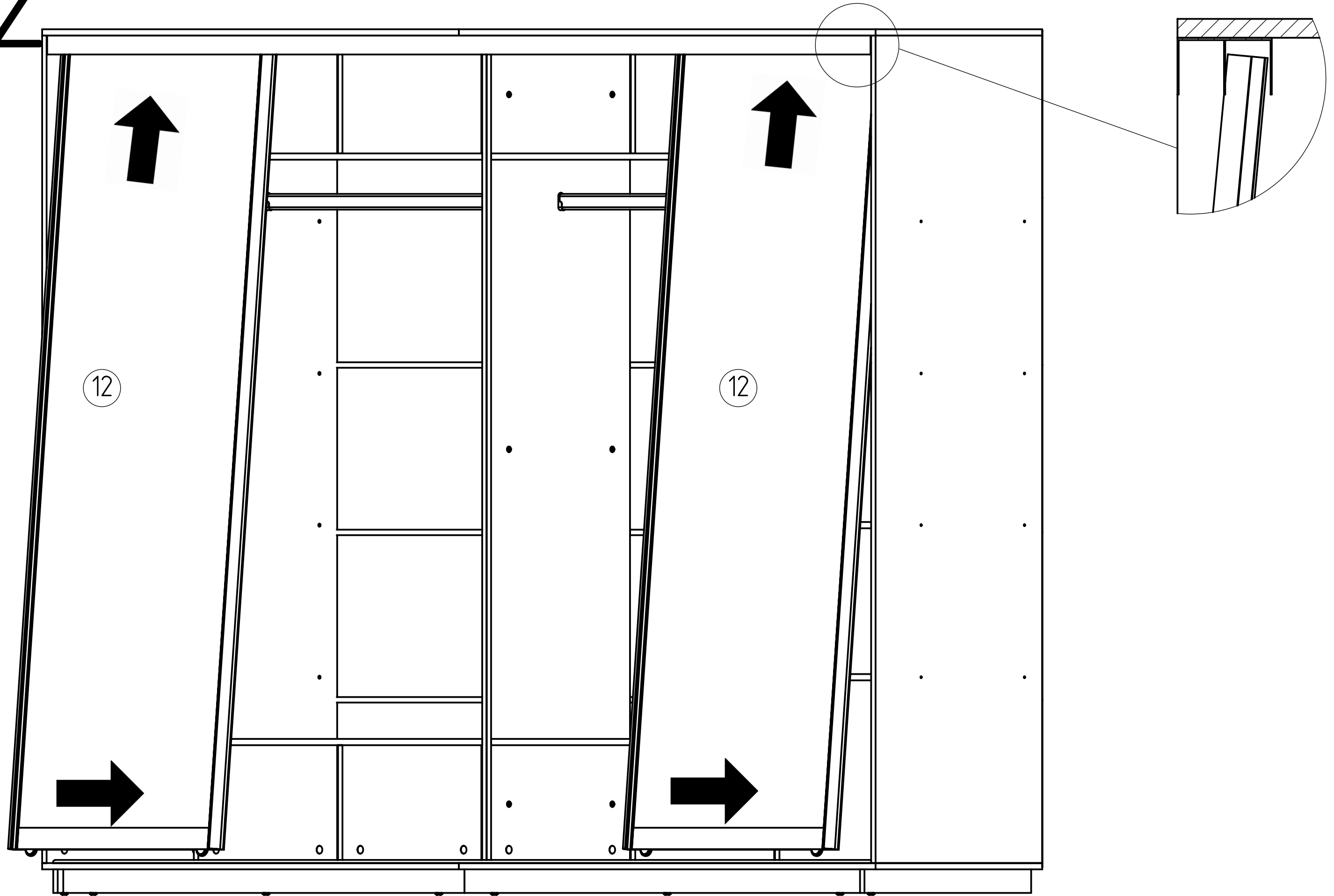
10



11



12



13

