

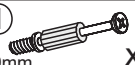




NR 1


B1  ϕ 8x28 x24

M1  ϕ 15x12mm x24


T1  5x39mm x24


C14  ϕ 20mm x24


G4  x8


P31  3,5x16 x8


NR 2


W1  x8


W2  x4


J23  x16

S6  3,0x20 x15

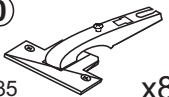
F33  x14


P13  3,5x13 x56


F15  x8


F1  x5

NR 3


Y0  ϕ 35 x8


D7  H4 x8


E3  6,3x13 x16


S8  4x13 x16


NR 4

UA-96  x1


UA-32  x2


S12  3x13 x6

R-148  x1

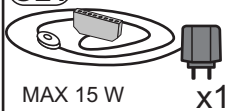
R-73  x2


NR 5

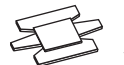
J11  x2

P13  3,5x13 x4

NR 6

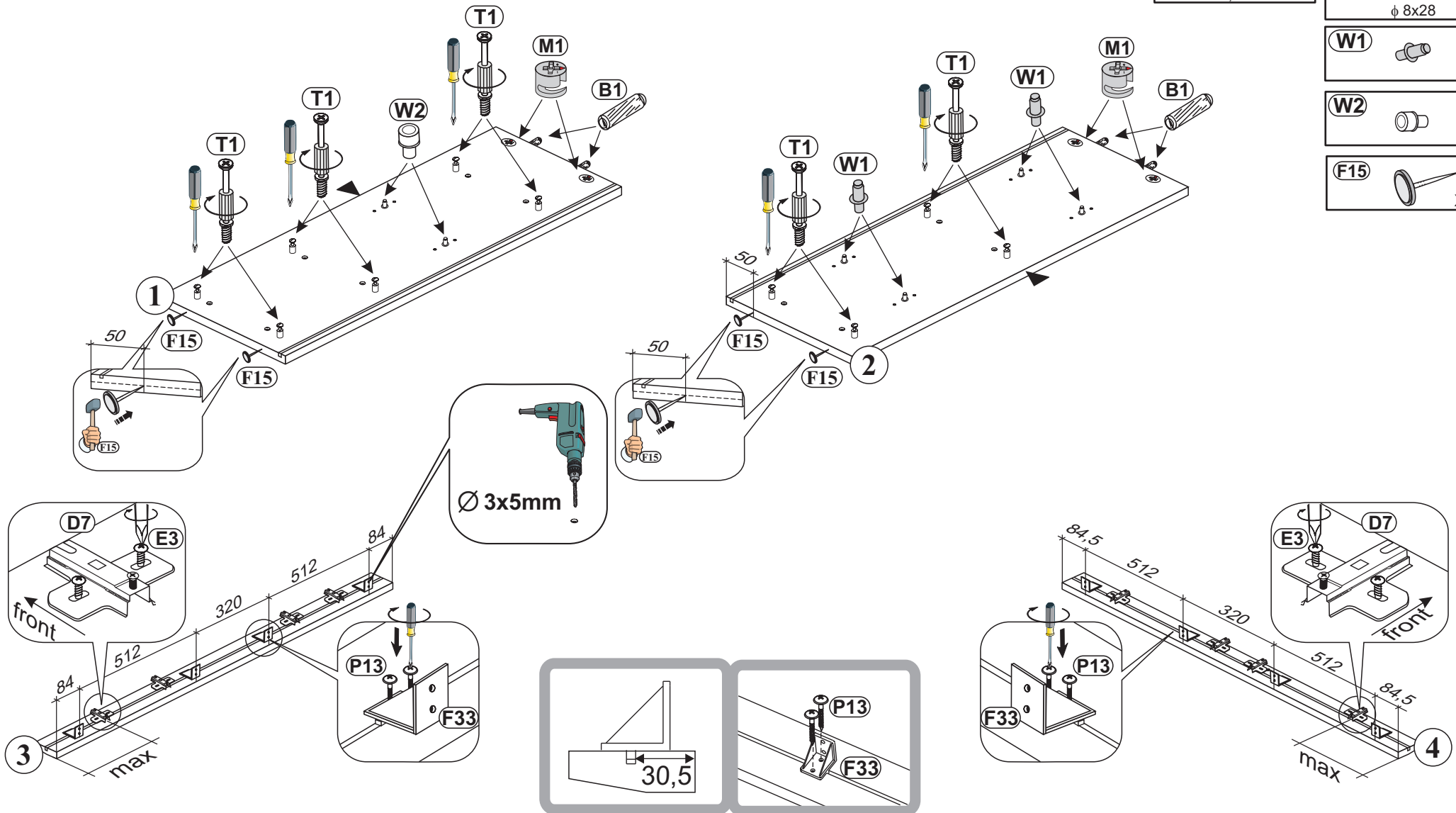
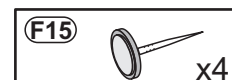
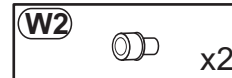
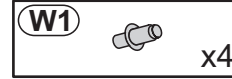
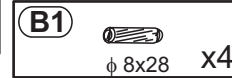
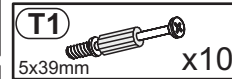
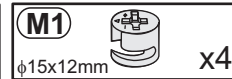
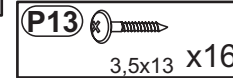
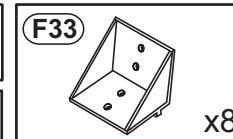
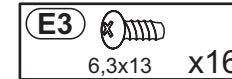
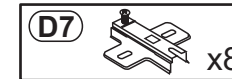
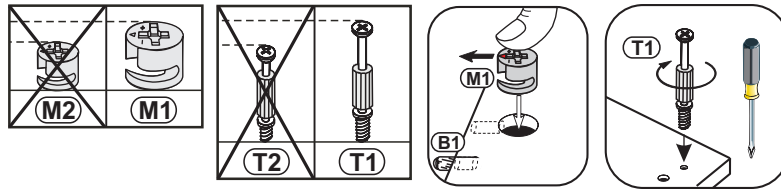
O21  MAX 15 W x1

Tt700  x1

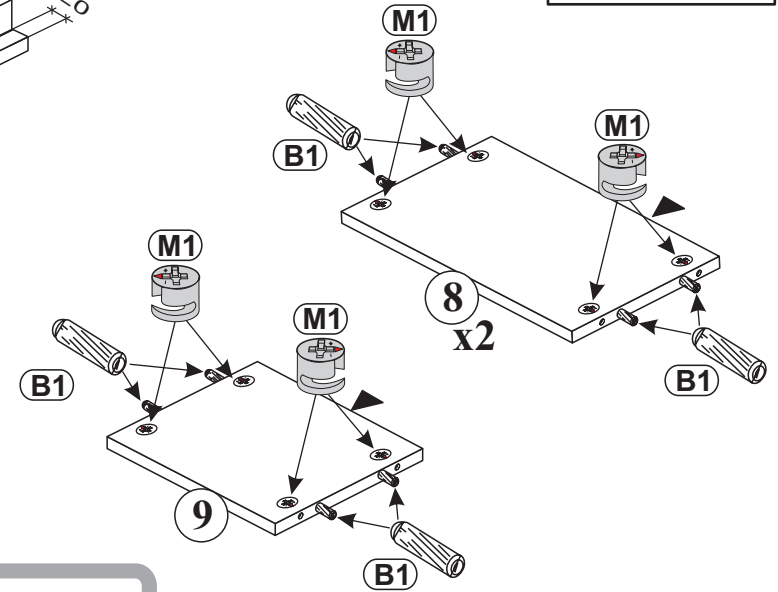
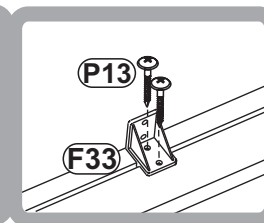
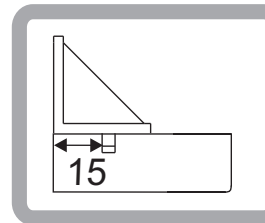
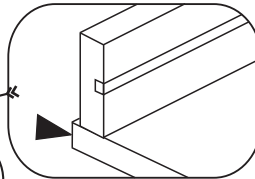
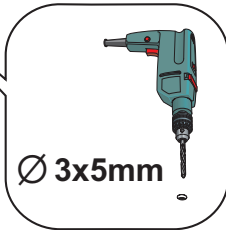
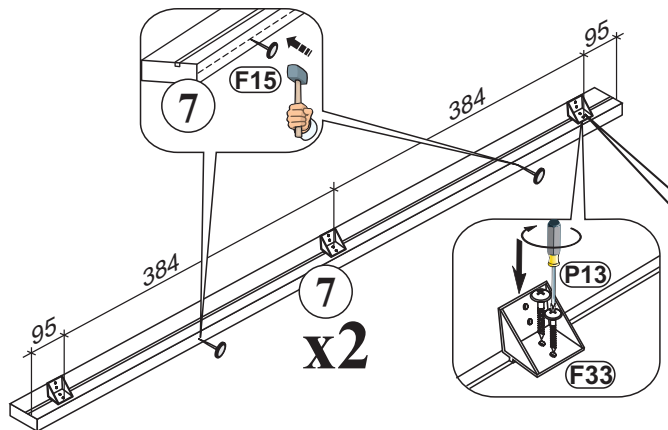
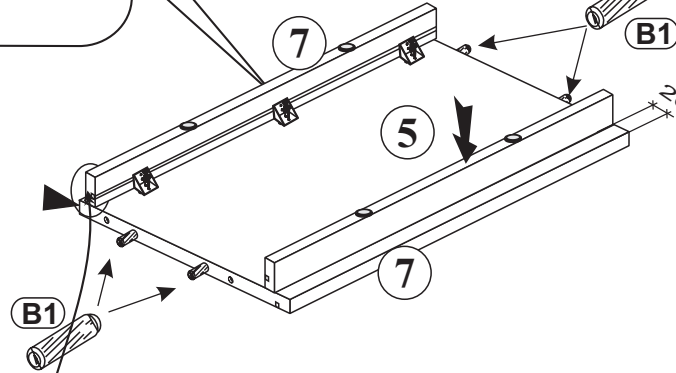
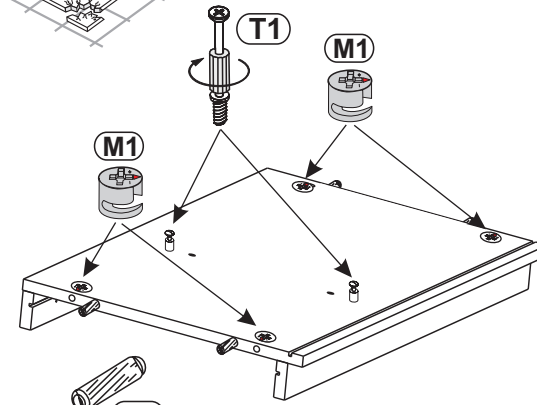
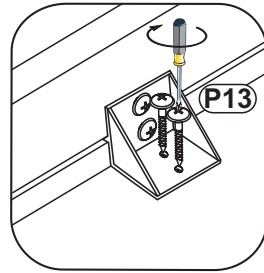
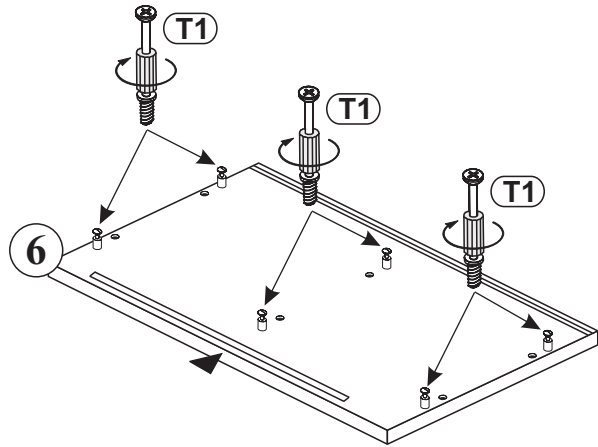
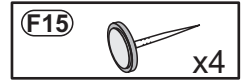
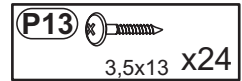
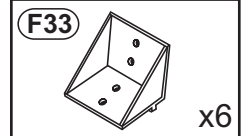
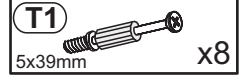
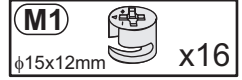
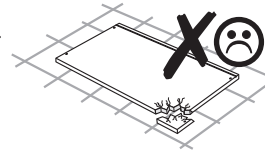
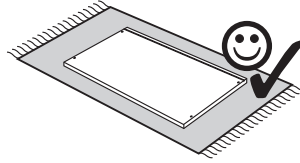
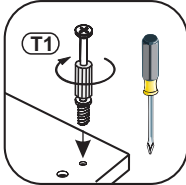
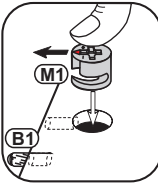
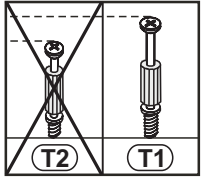
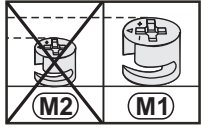
C5  x3



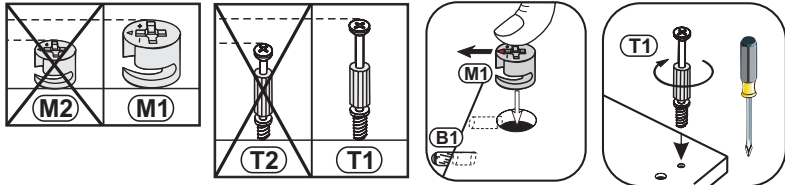
1



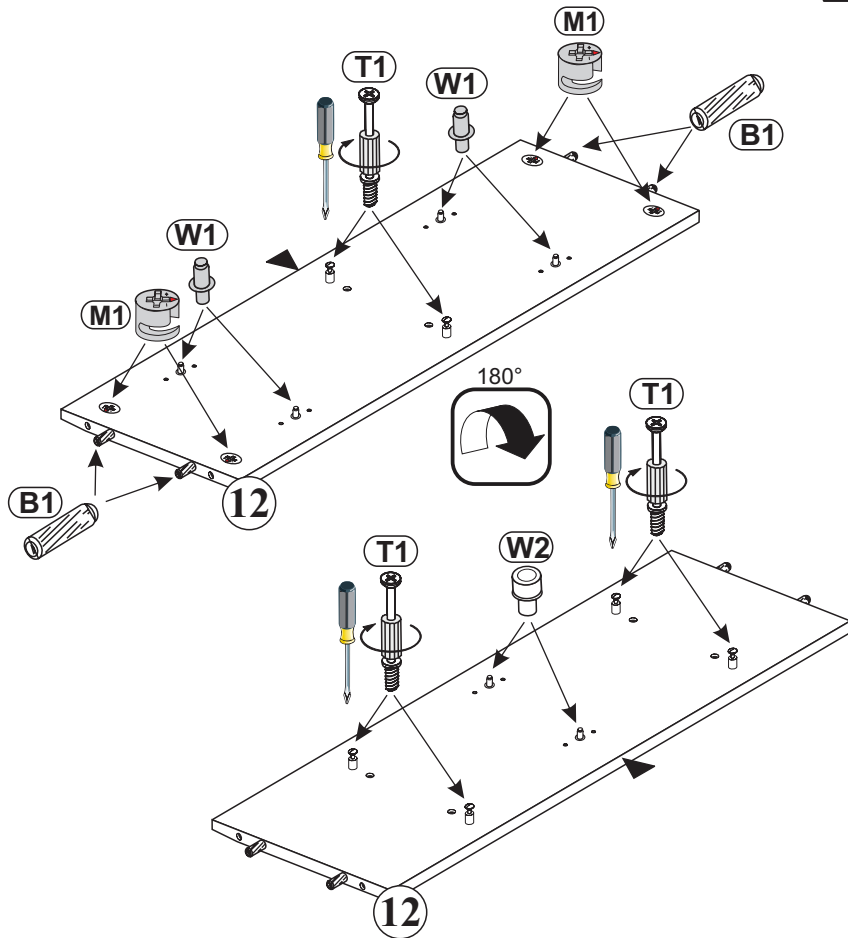
2



3

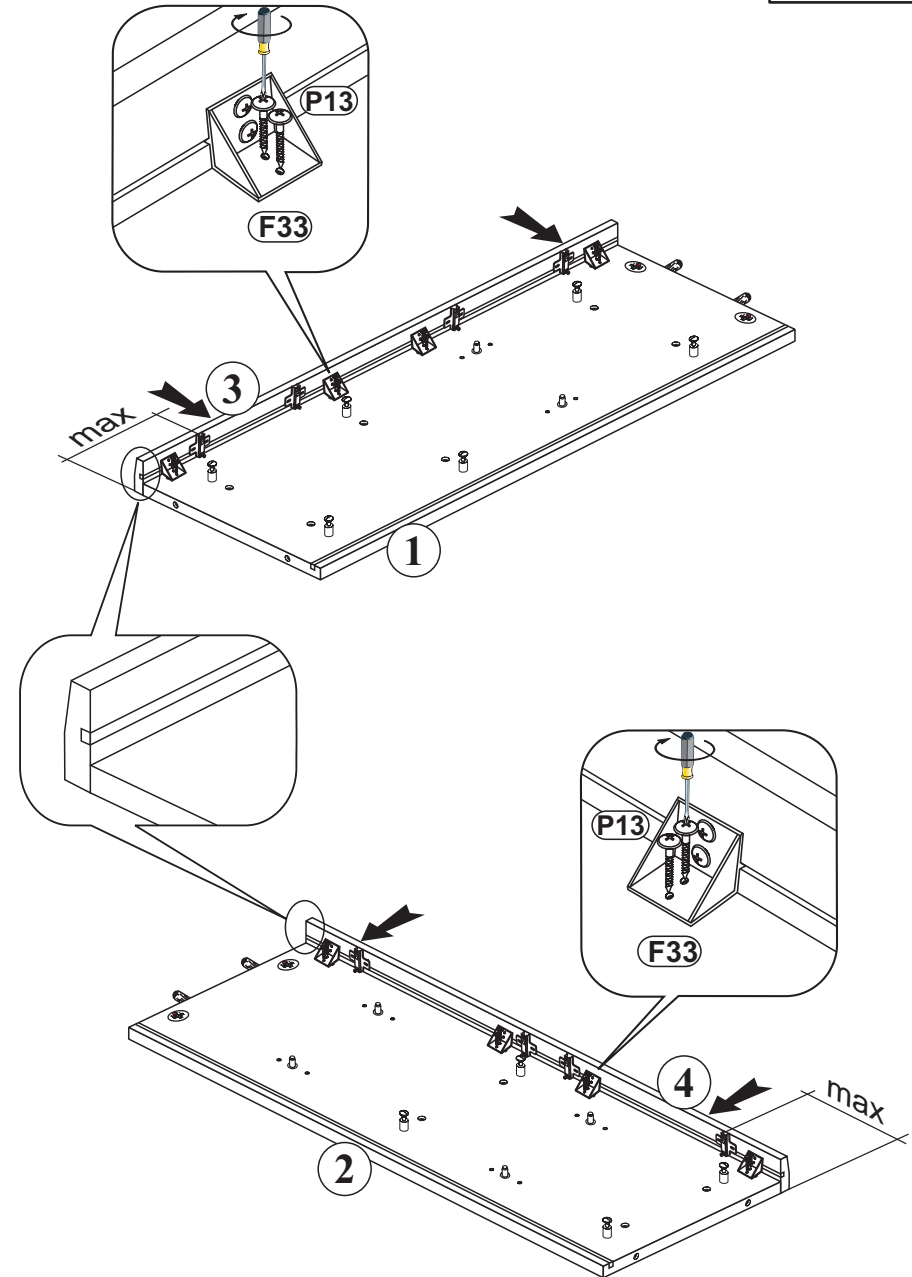


- B1** ϕ 8x28 x4
- T1** 5x39mm x6
- M1** ϕ 15x12mm x4
- W1** x4
- W2** x2

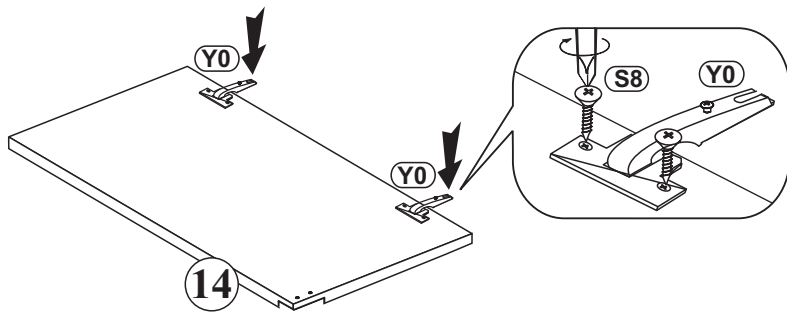
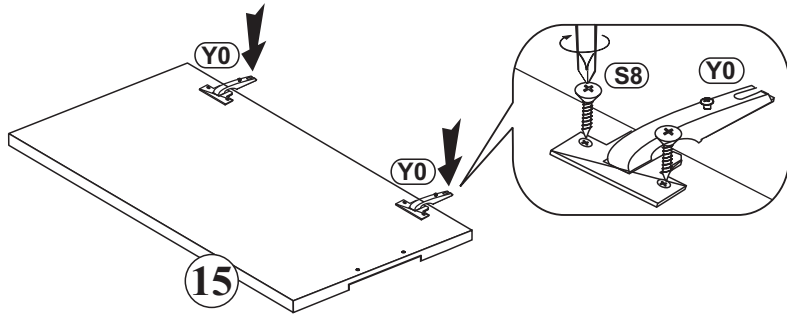
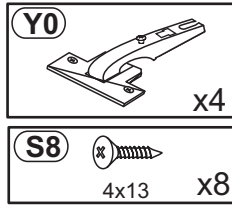
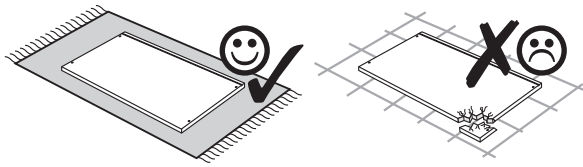


4

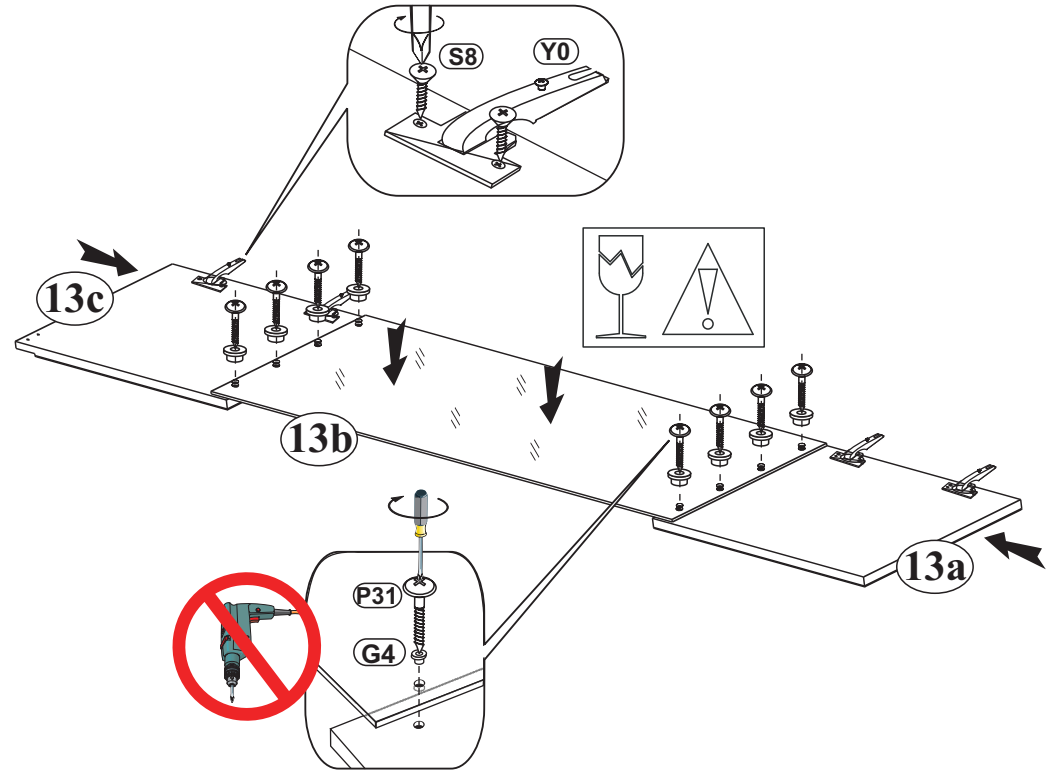
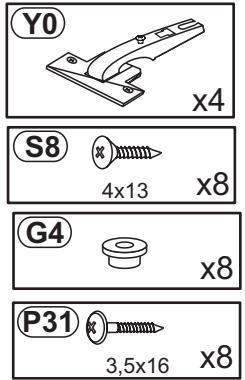
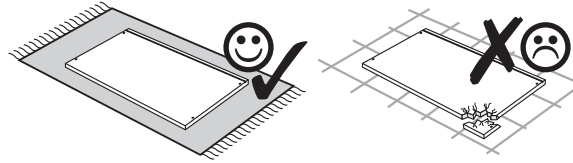
- P13** 3,5x13 x16



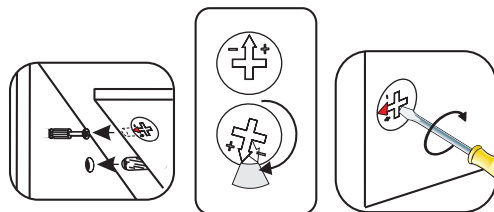
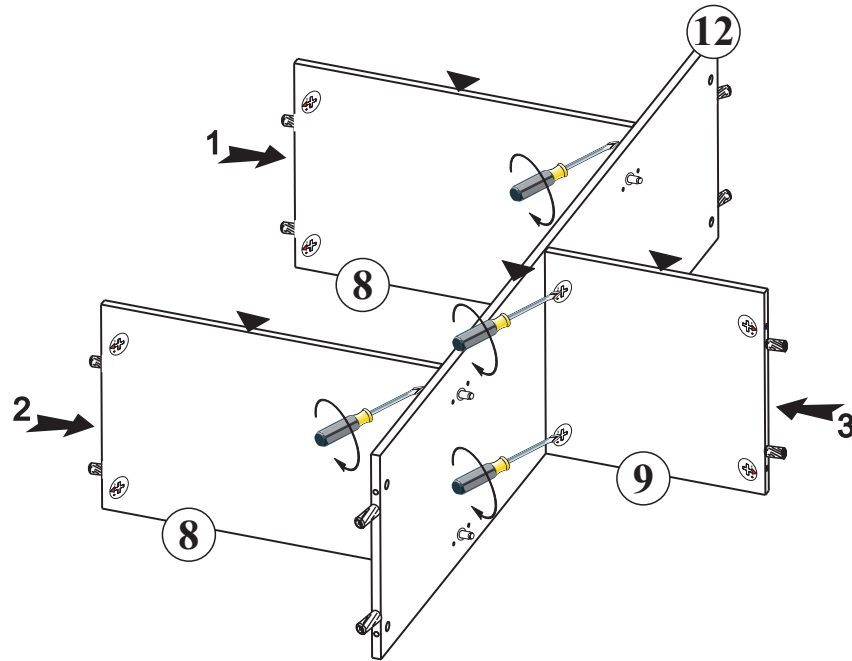
5



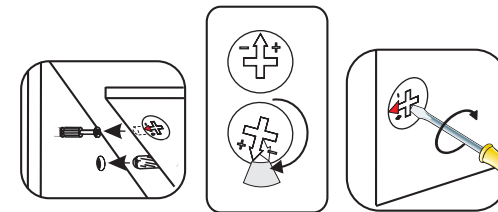
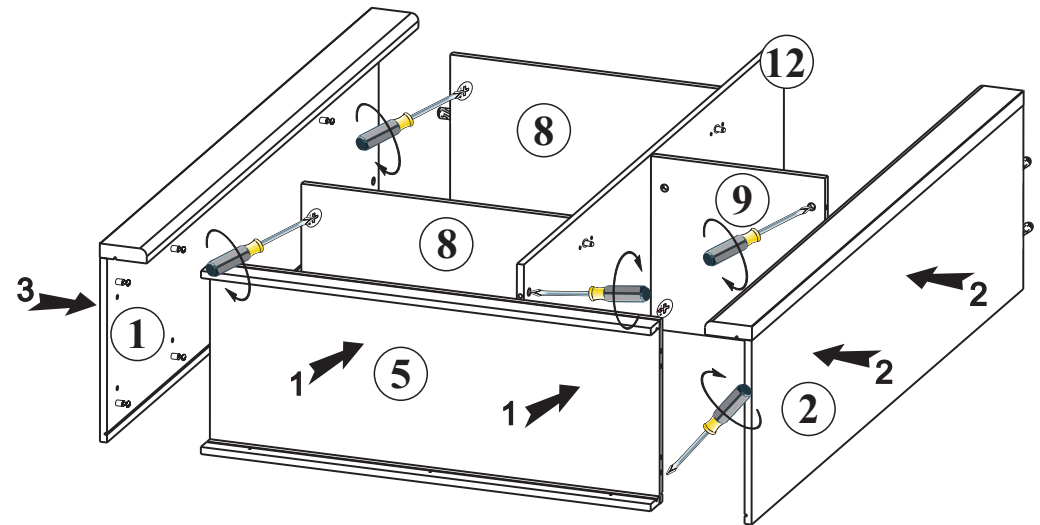
6



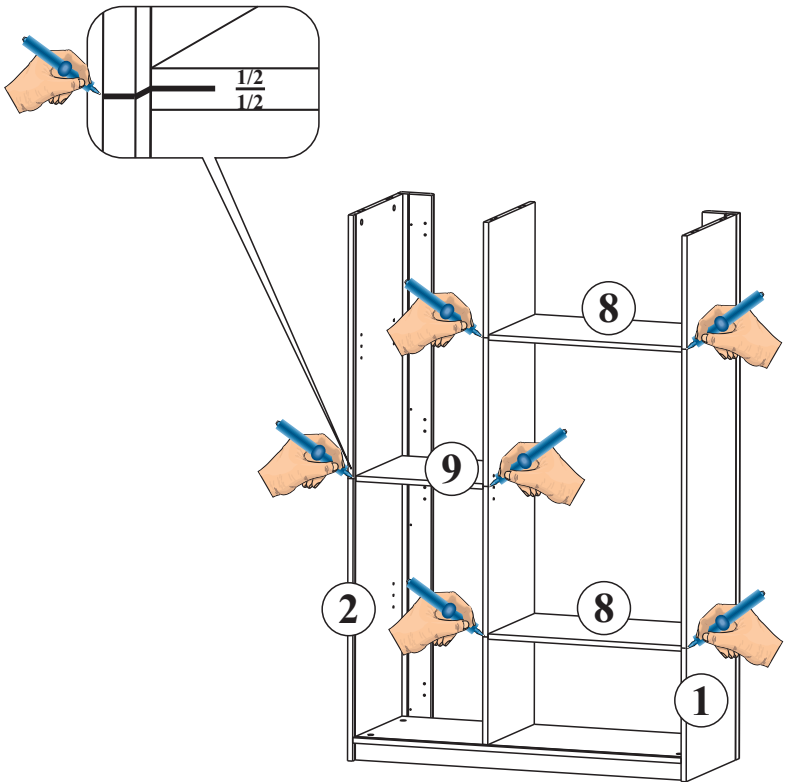
7



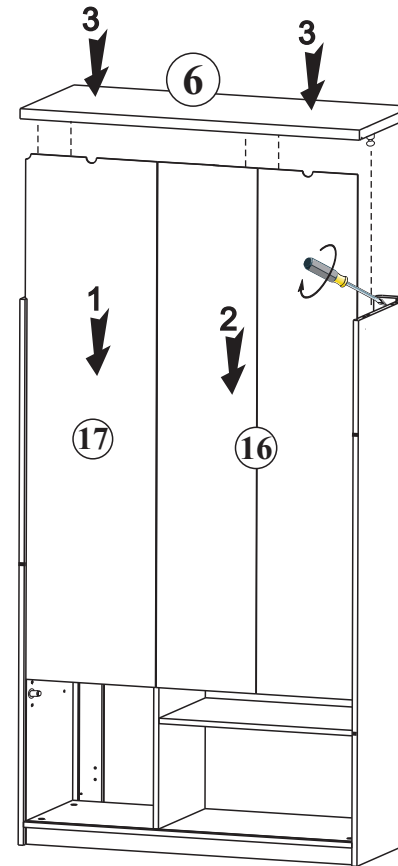
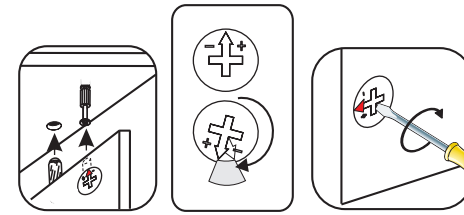
8



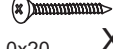


9

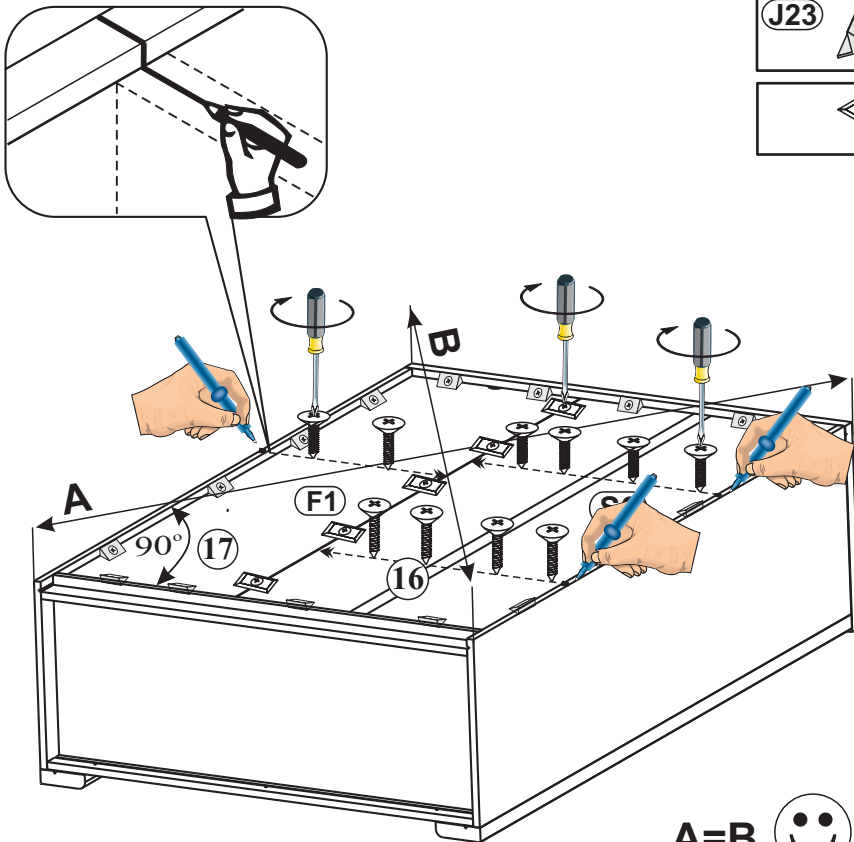


10

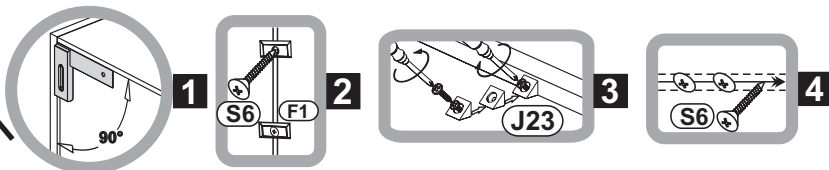
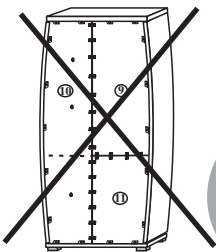


11


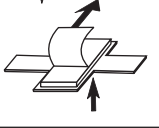
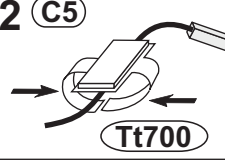



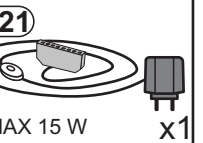
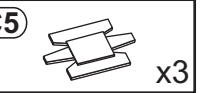
- S6**  3,0x20 X15
- J23**  x16
-  X5

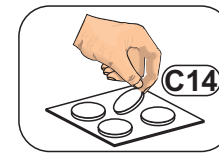
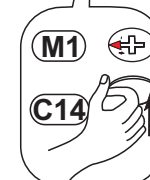
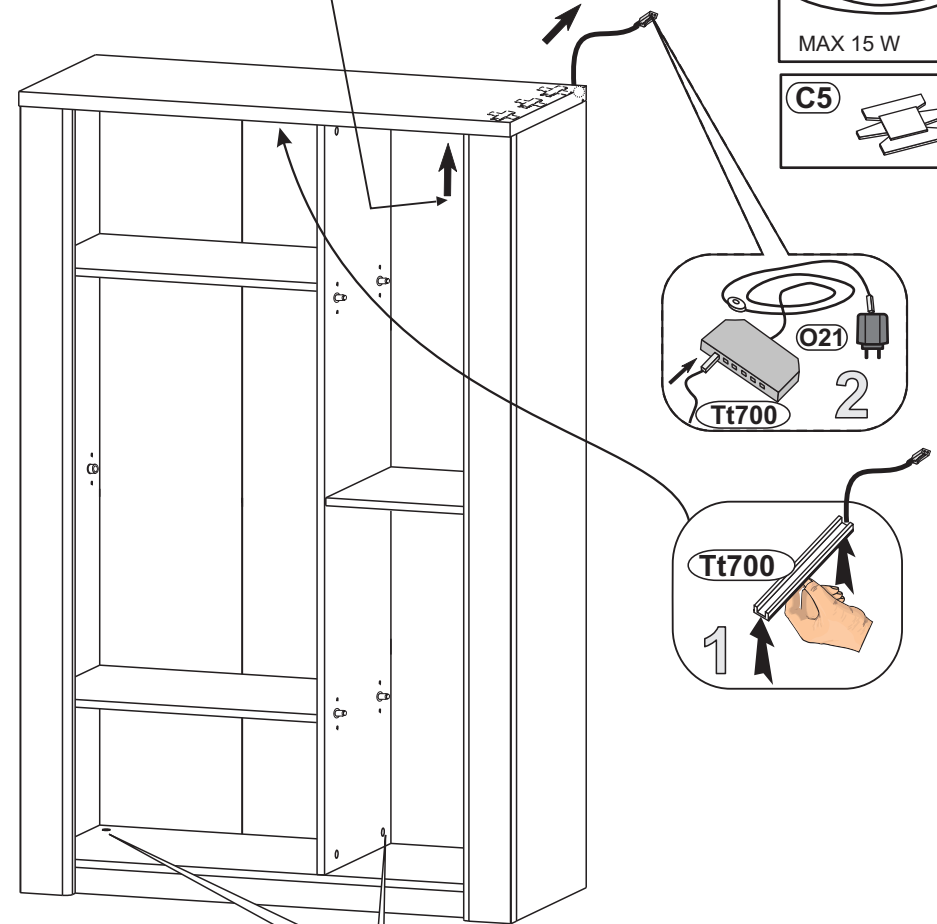


A=B 😊 ✓

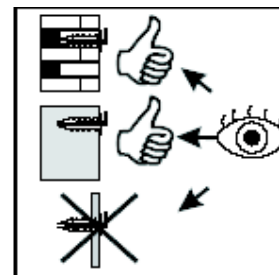
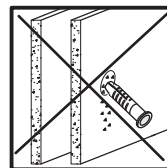
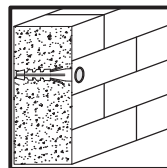
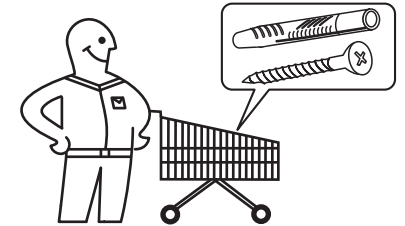
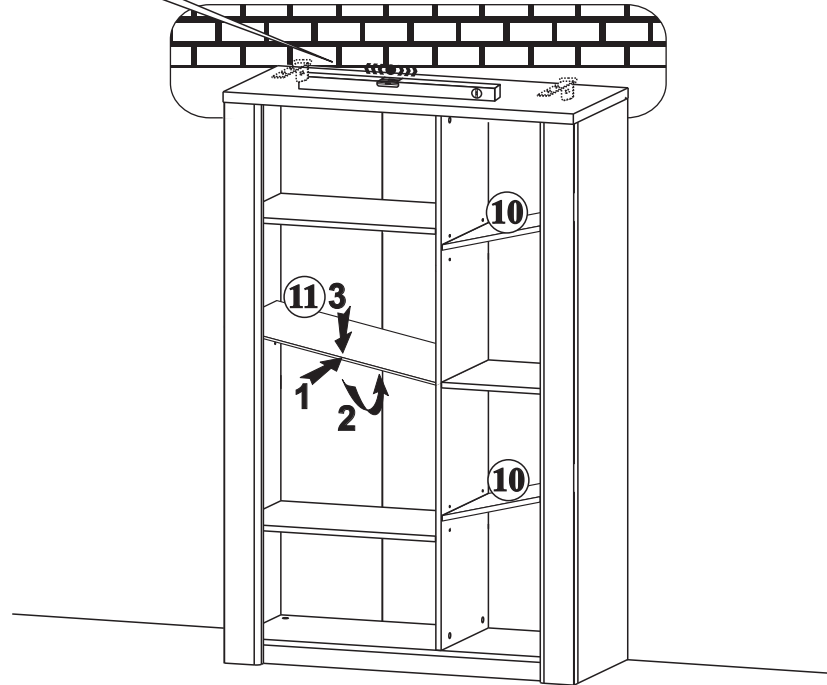
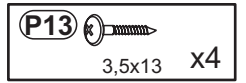
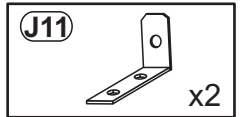
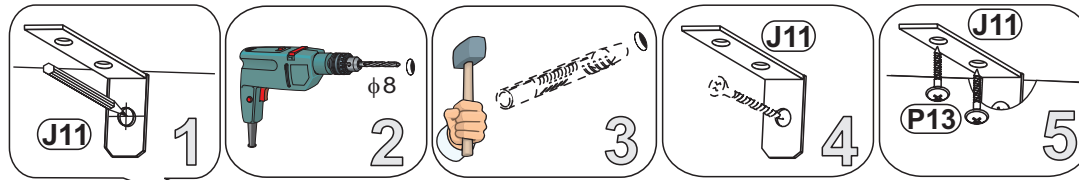


12

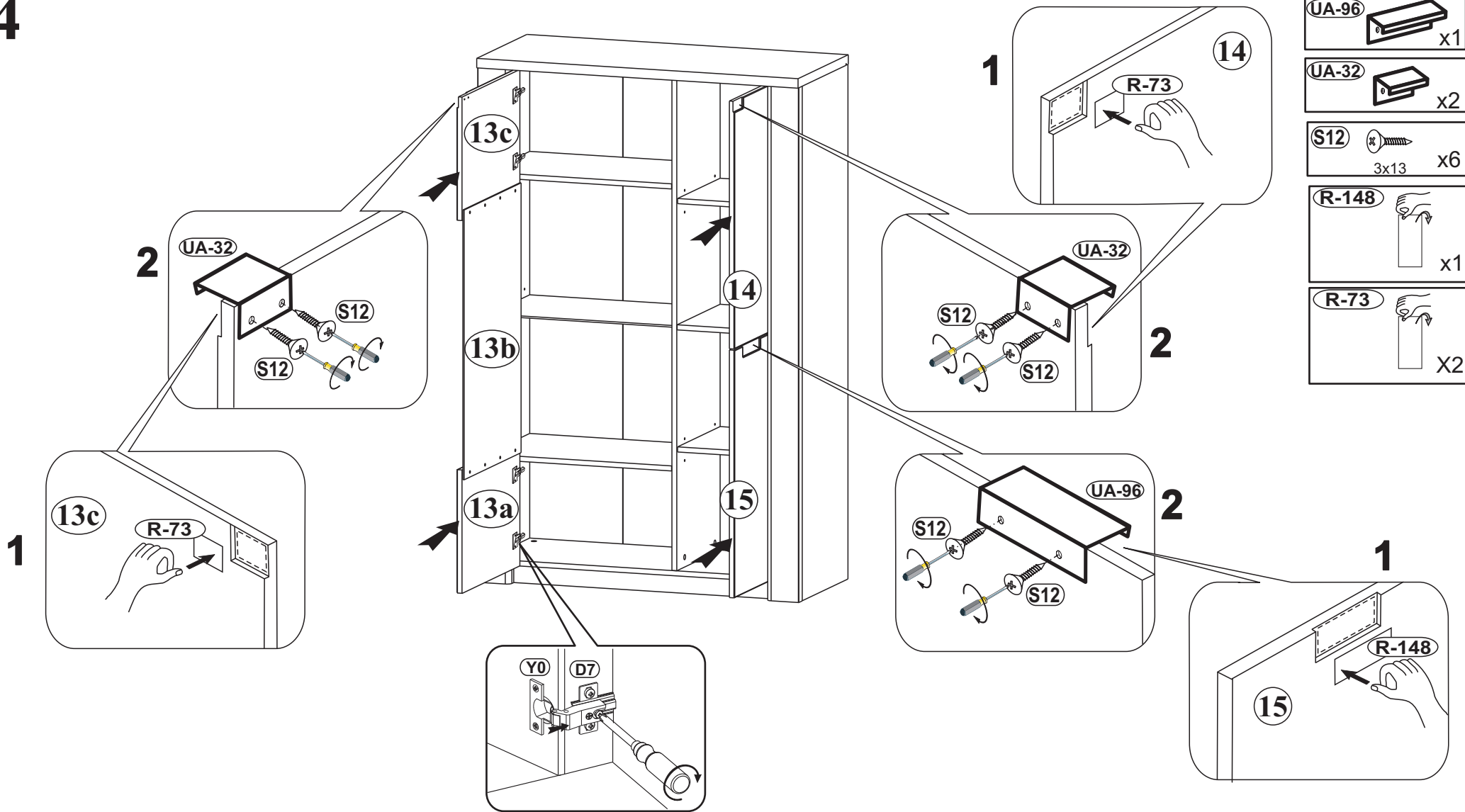
- 1**  **C5** 
- 2** **C5**  **Tt700** 
- C14**  φ20mm X24
- Tt700**  x1
- O21**  MAX 15 W x1
- C5**  x3








13



14



- UA-96  x1
- UA-32  x2
- S12  3x13 x6
- R-148  x1
- R-73  x2

