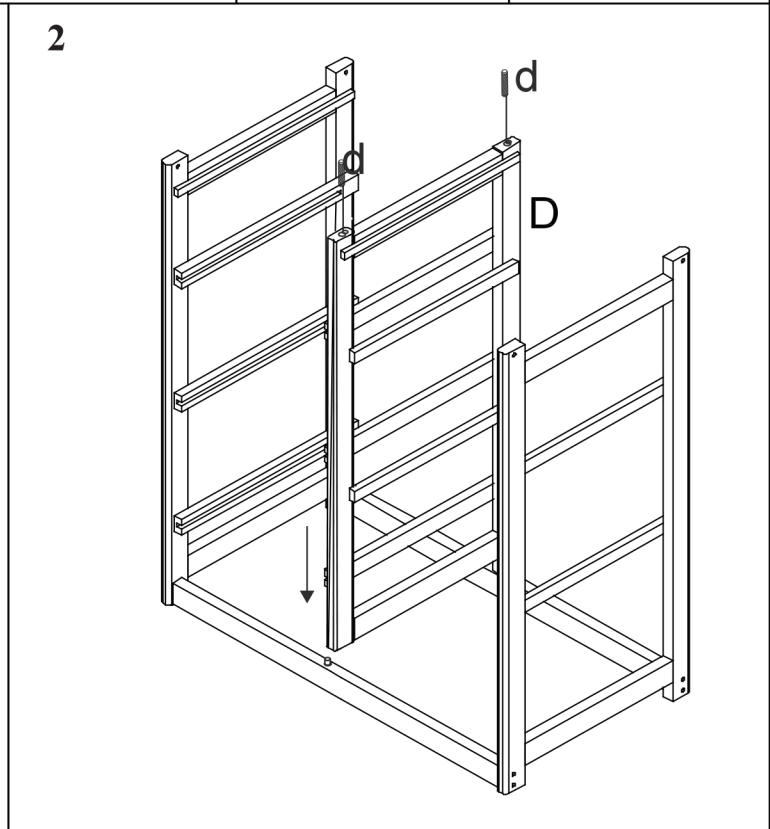
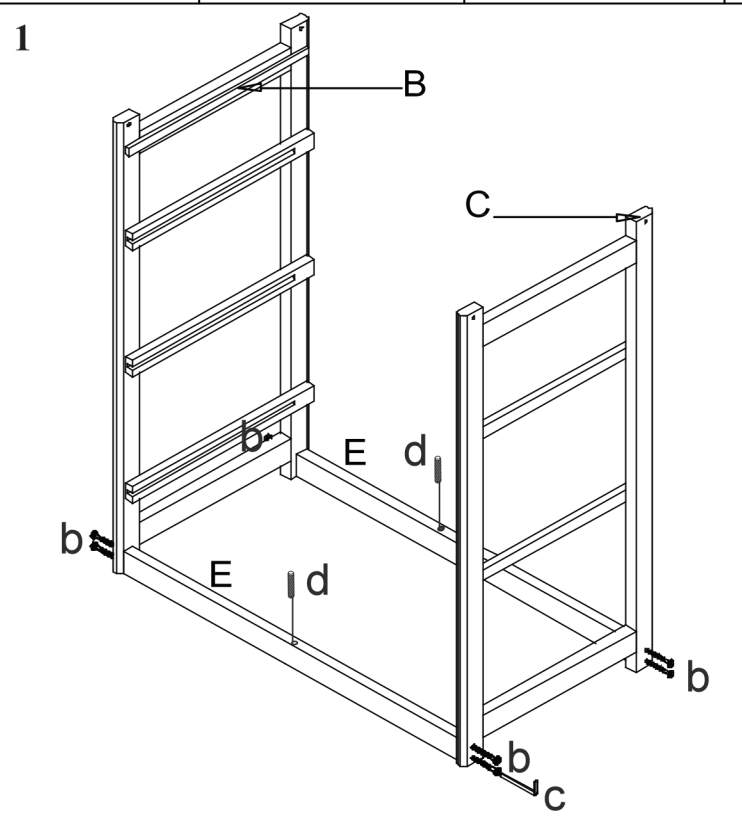
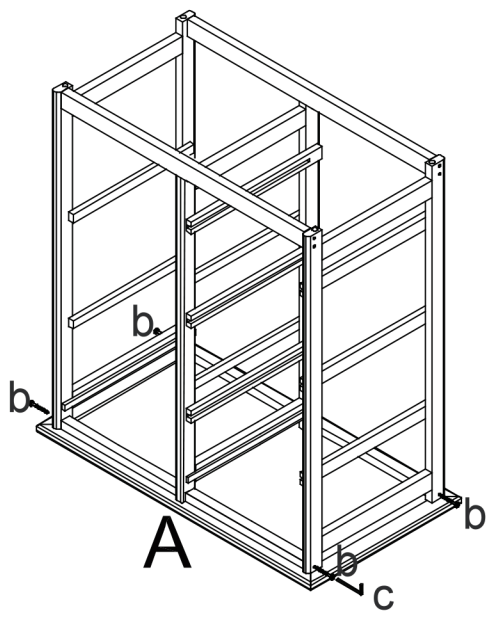


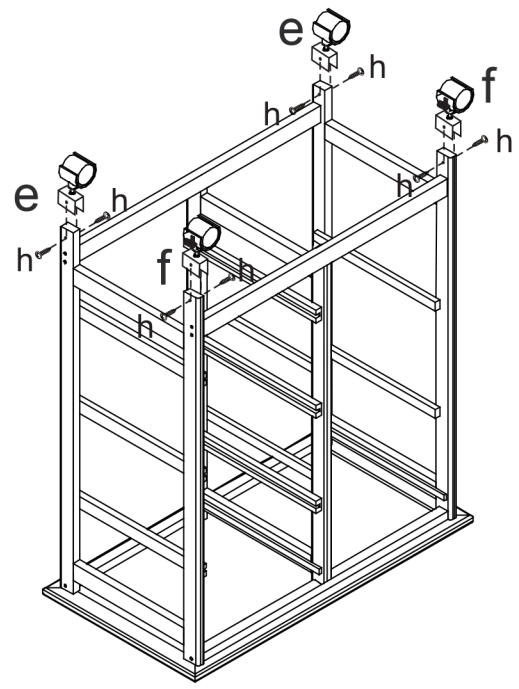
		AX1PC	BX1PC	CX1PC	DX1PC
		EX2PCS	FX1PCS	GX2PCS	HX2PCS
IX4PCS	JX2PCS	KX2PCS	LX3PCS	a X16PCS	b X12PCS
c X1PC	d X4PCS	e X2PCS	f X2PCS	gx2sets	hx8pcs



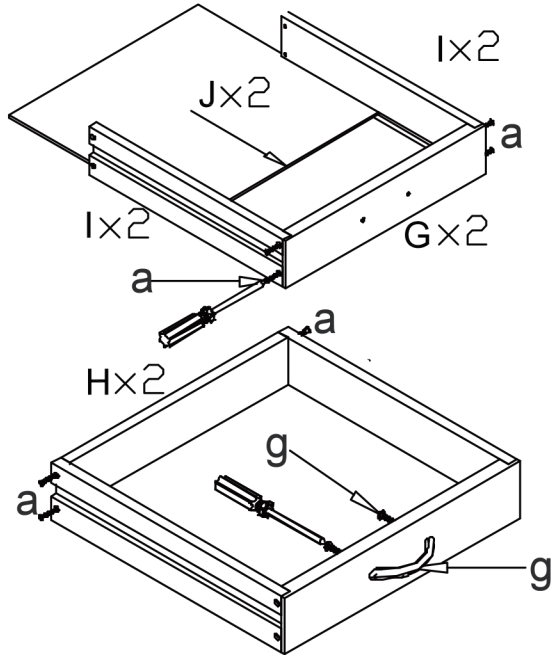
3



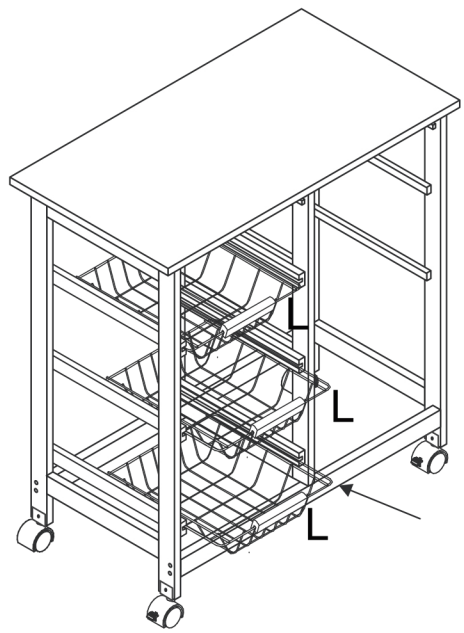
P



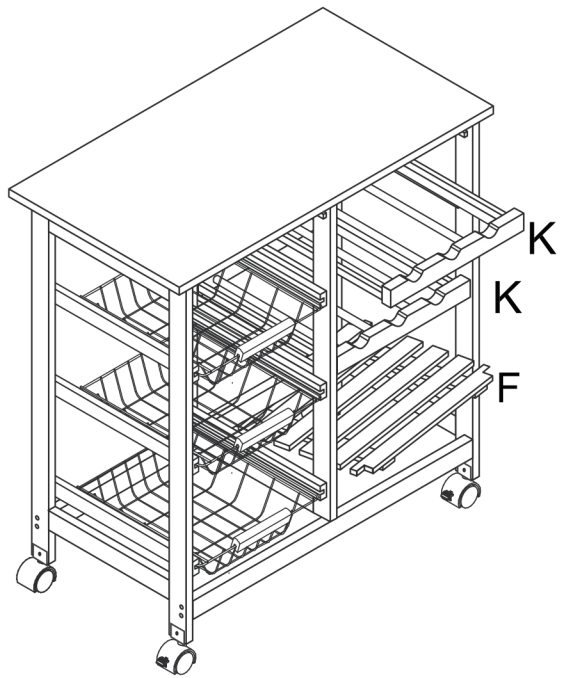
5



6



7



8

