














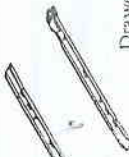





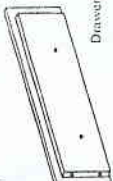








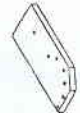




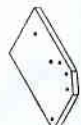






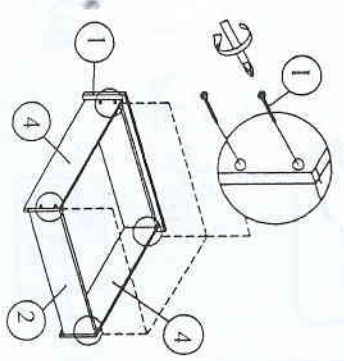


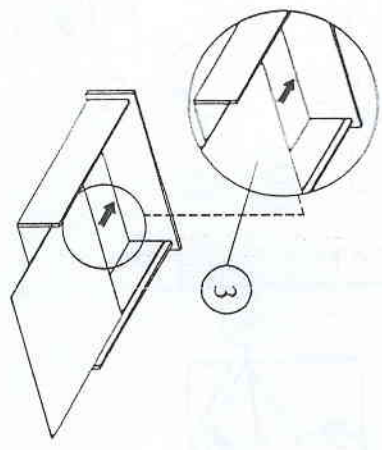
Assembly Instruction

<p>Item AA  Headboard</p>		<p>Item AB  Footboard</p>		<p>Item AC  Side Rail</p>		<p>Item A  Plastic Dowel (8 x 25)</p>		<p>Item B  JCBC W M6 x 40</p>		<p>Item C  JCBC M6 x 40</p>		<p>Item D  JCBC M6 x 60</p>	
<p>Item AD  Slat</p>		<p>Item AE  Center Rail</p>		<p>Item AF  Support Leg</p>		<p>Item E  CSK M3 x 16 mm</p>		<p>Item G  CSK M4 x 32 mm</p>		<p>Item H  CSK M4 x 18 mm</p>		<p>Item I  Mini Fix Cap</p>	
<p>Item AG  Drawer Slide 500</p>		<p>Item AH  Drawer Slide 500</p>		<p>Item AI  Drawer Slide 500</p>		<p>Item J  CSK M4 x 16 mm</p>		<p>Item K  CSK M4 x 25 mm</p>		<p>Item L  Mini Fix Bolt</p>		<p>Item M  Power Nail 5/8</p>	
<p>Item 1  Drawer Front Panel</p>		<p>Item 2  Drawer Back Panel</p>		<p>Item 3  Drawer Bottom Panel</p>		<p>Item 4  Drawer Side Panel</p>		<p>Item N  White Nail Leg</p>		<p>Item O  Allen Key 65 mm</p>		<p>Item P  M6 Flat Washer</p>	
<p>Item 5  Drawer Front Panel</p>		<p>Item 6  Drawer Front Panel</p>		<p>Item 7  Drawer Bottom Panel</p>		<p>Item 8  Drawer Side Panel</p>		<p>Item Q  Mini Fix Housing</p>		<p>Item R  Mini Fix Cap</p>		<p>Item S  M6 Flat Washer</p>	
<p>Item 9  Drawer Front Panel</p>		<p>Item 10  Drawer Front Panel</p>		<p>Item 11  Drawer Front Panel</p>		<p>Item 12  Drawer Front Panel</p>		<p>Item T  Mini Fix Bolt</p>		<p>Item U  Allen Key 65 mm</p>		<p>Item V  M6 Flat Washer</p>	

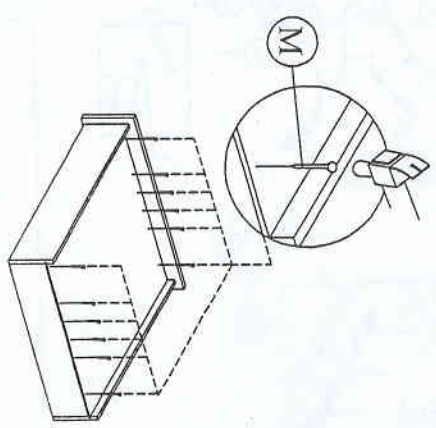
Step 1



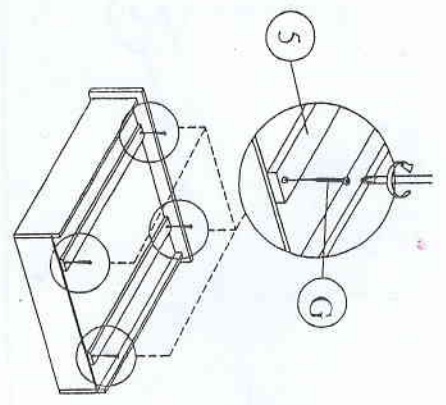
Step 2



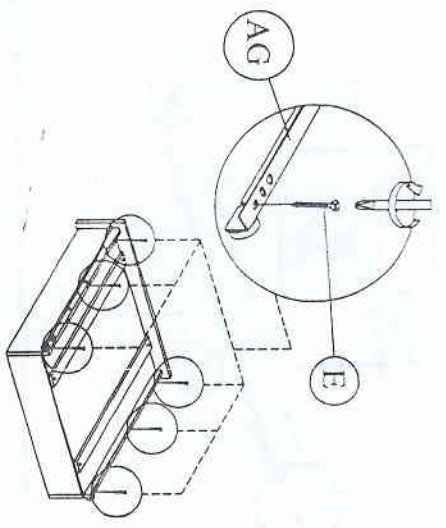
Step 3



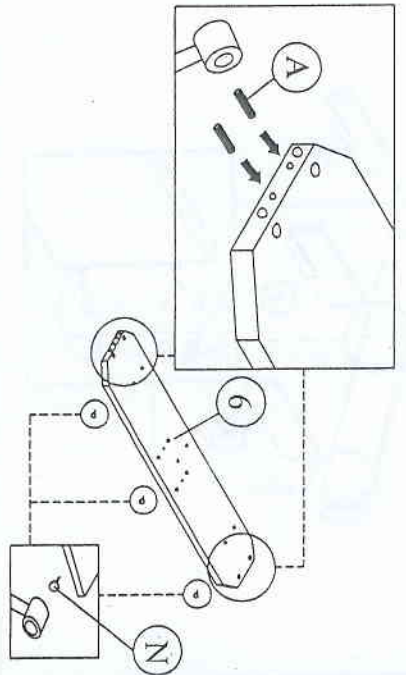
Step 4



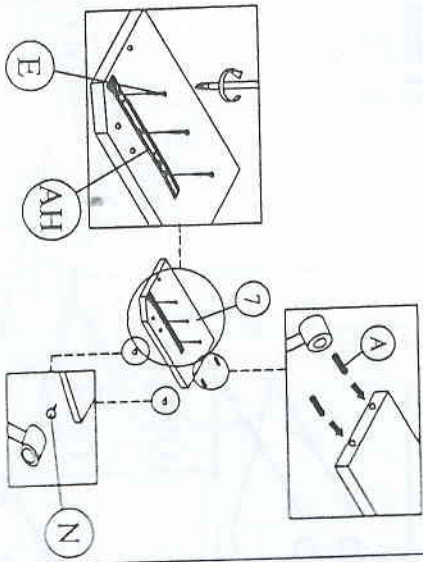
Step 5



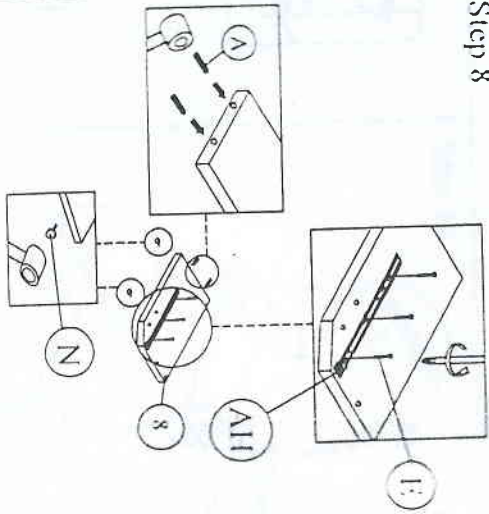
Step 6



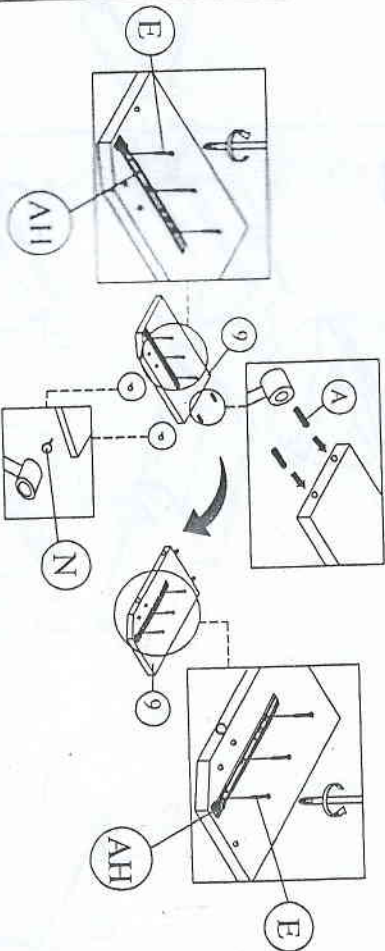
Step 7



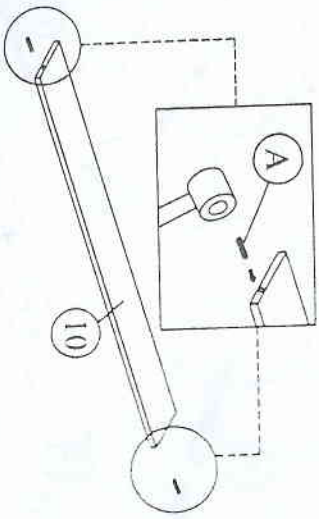
Step 8



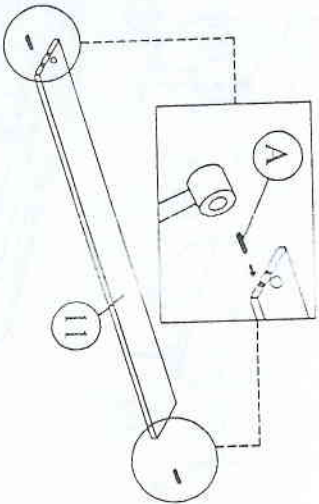
Step 9



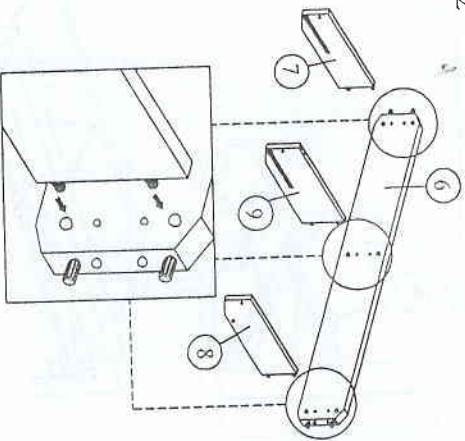
Step 10



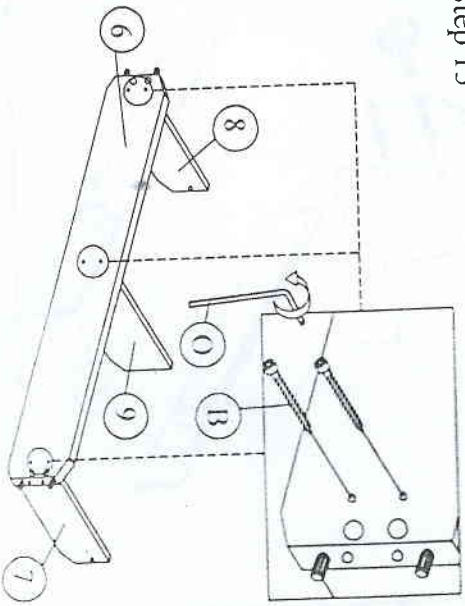
Step 11



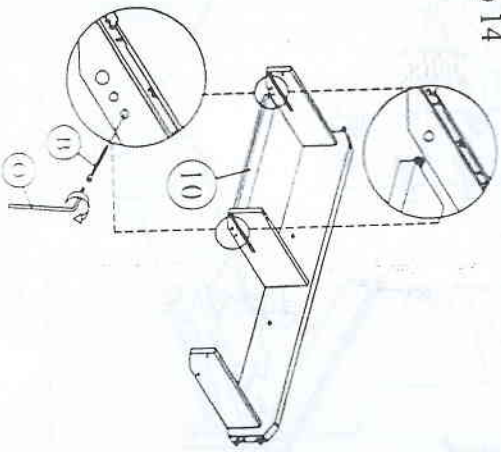
Step 12



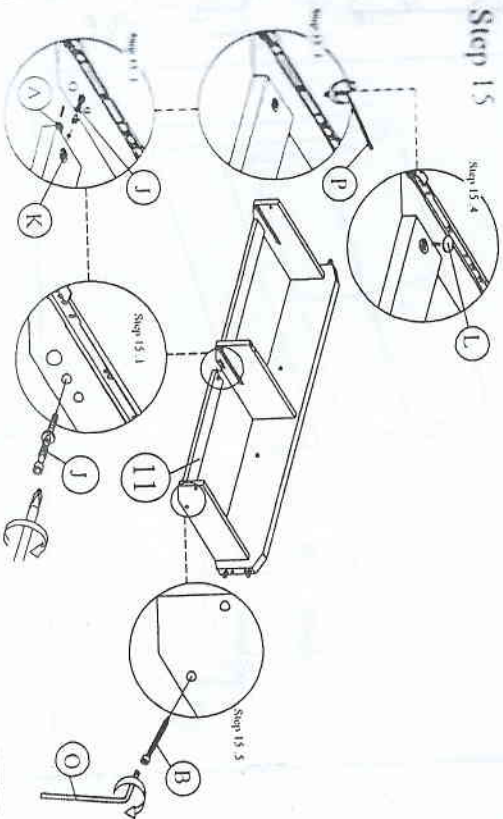
Step 13



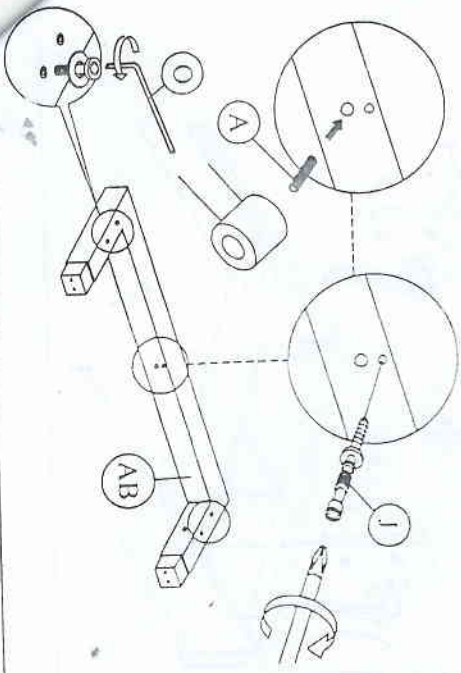
Step 14



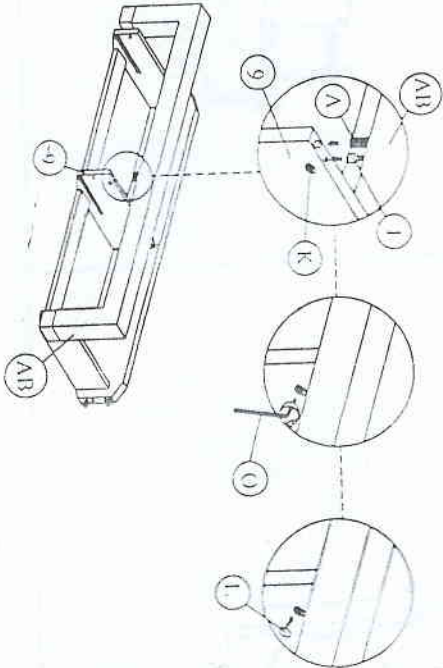
Step 15



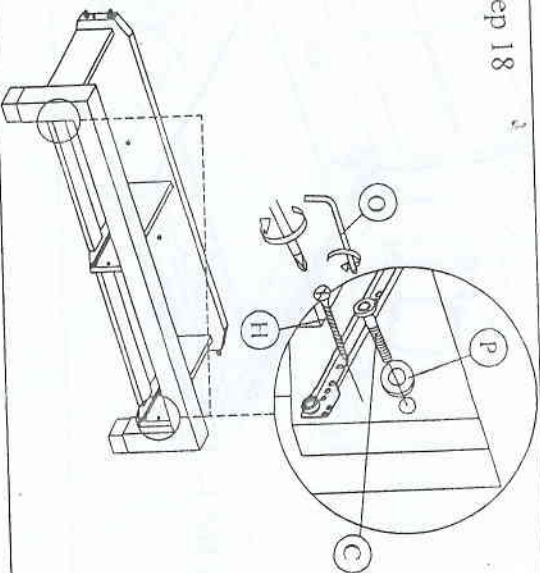
Step 16



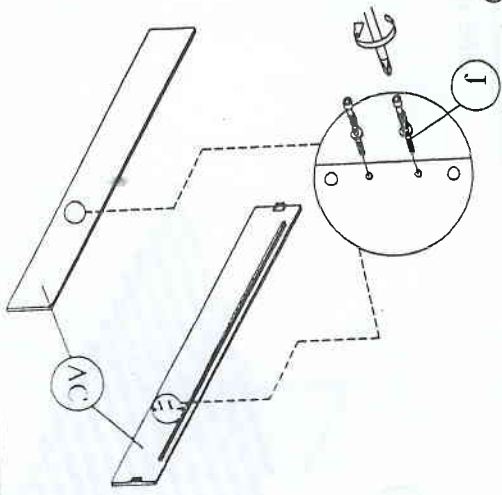
Step 17



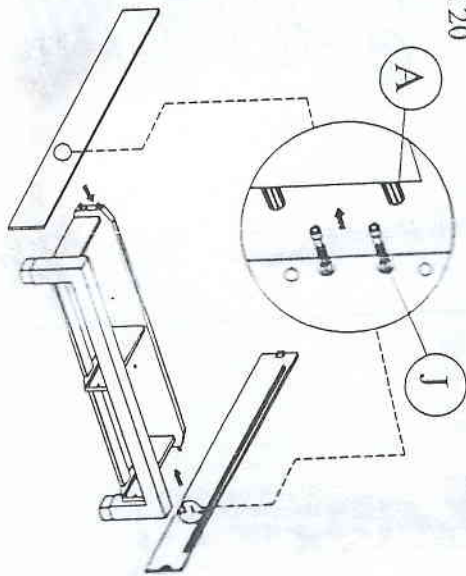
Step 18



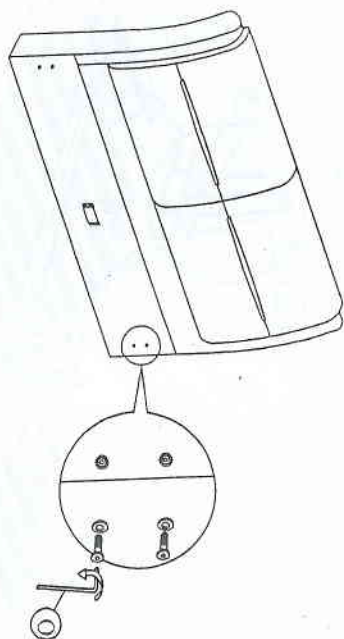
19



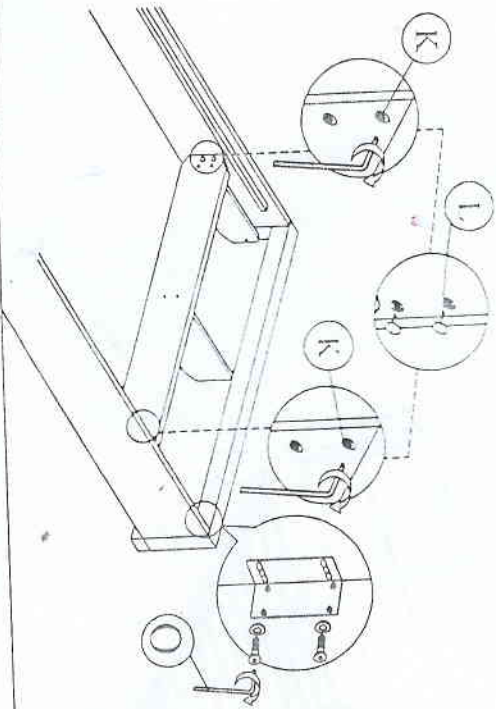
Step 20



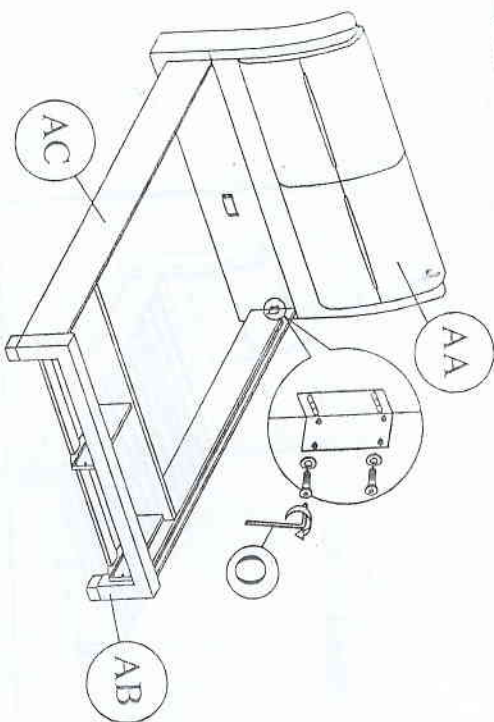
Step 21



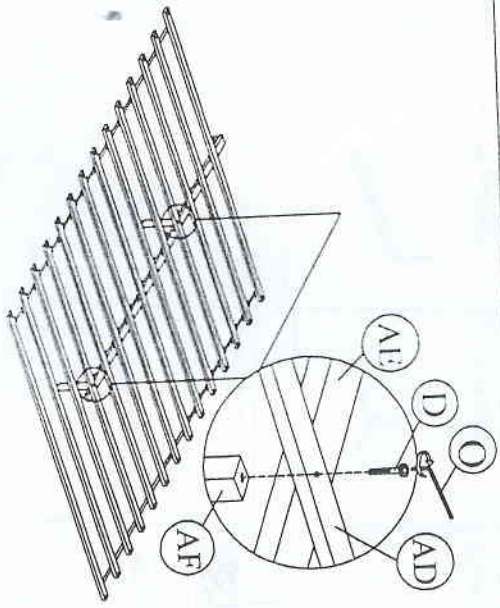
22



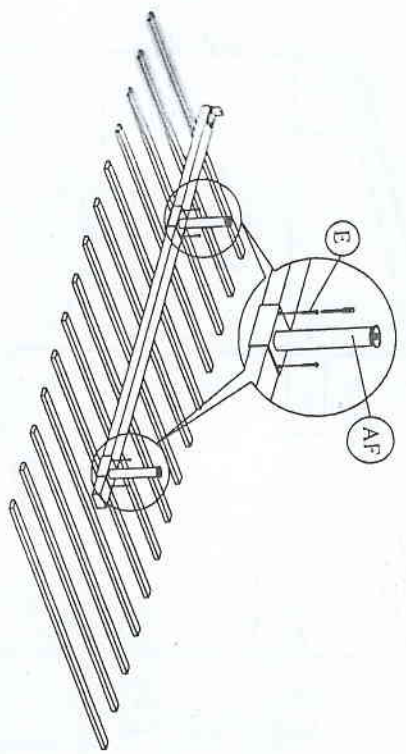
Step 23



ep 24



Step 25



Step 26

