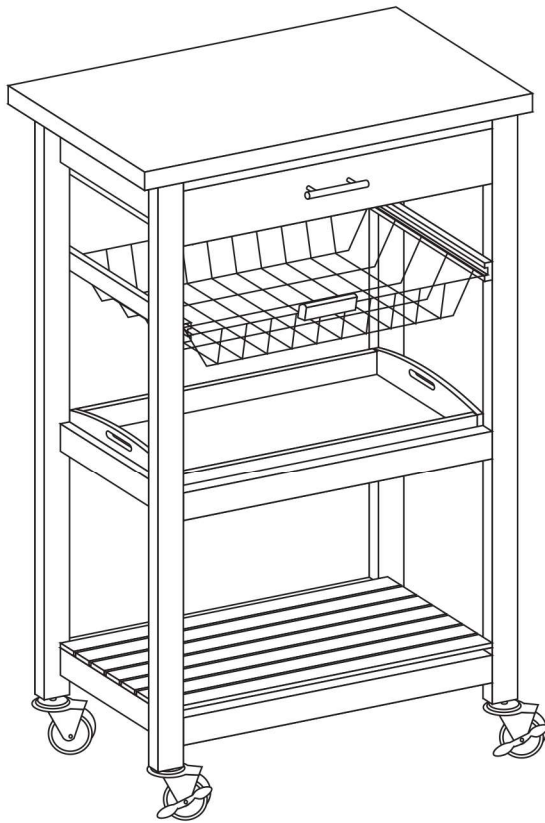


NÁVOD NA MONTÁŽ



ax12



bx8



cx16



dx2



ex1



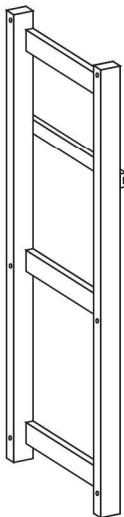
fx2



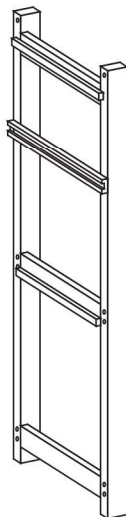
gx1



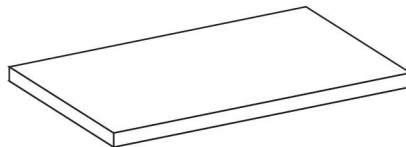
hx2



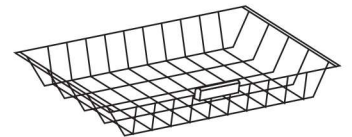
Ax1



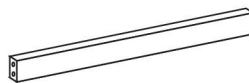
Bx1



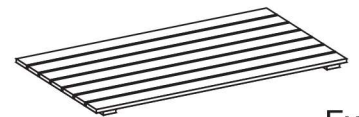
Cx1



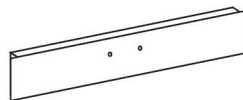
Dx1



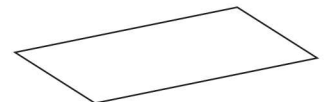
Ex4



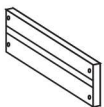
Fx1



Gx1



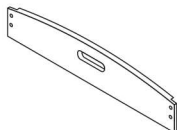
Ix1



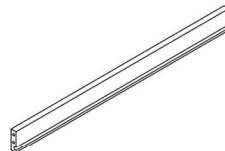
Hx2



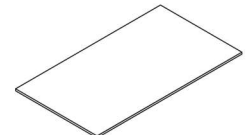
Jx1



Kx2

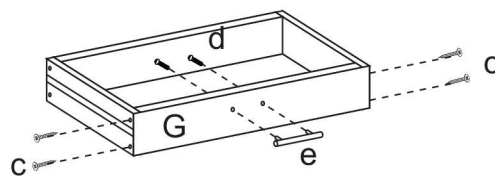
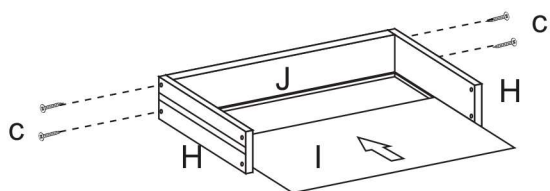


Lx2

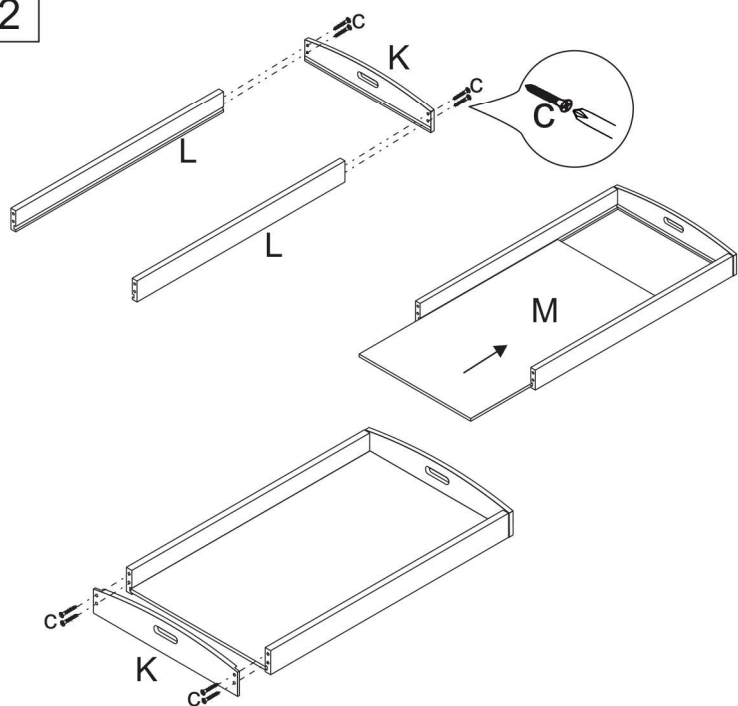


Mx1

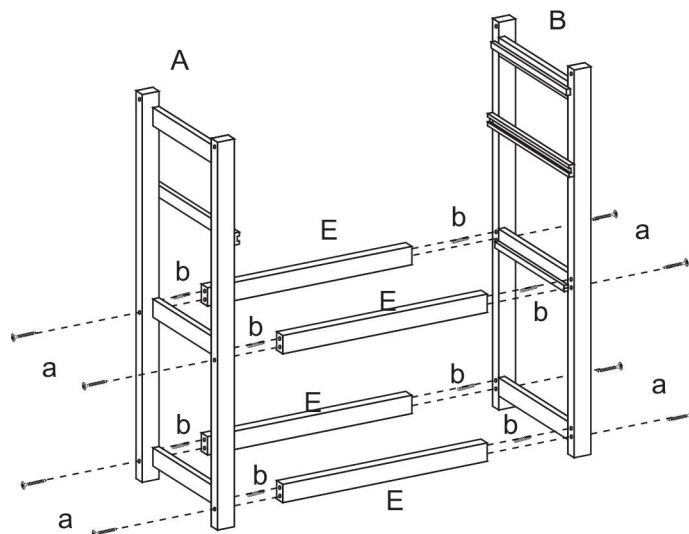
1



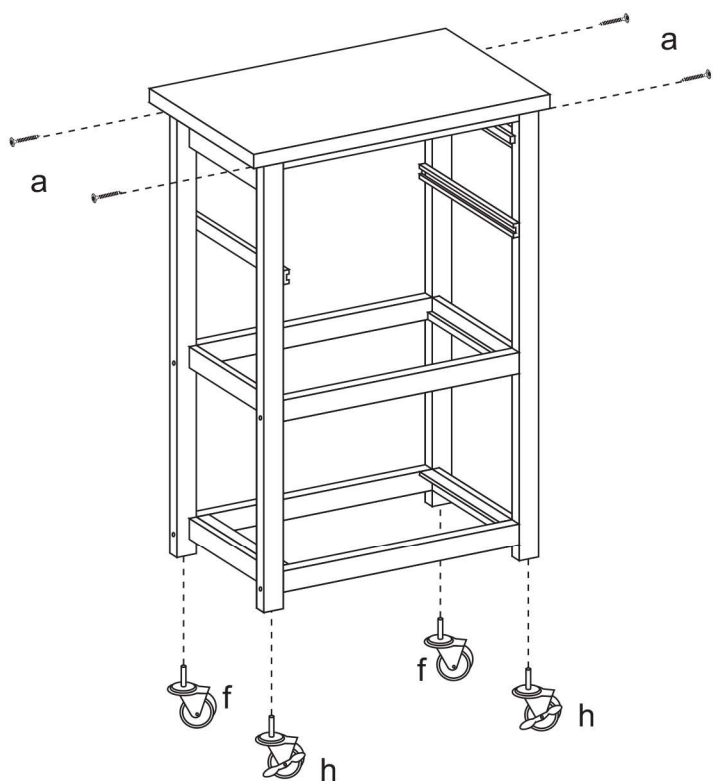
2



3



4



5

