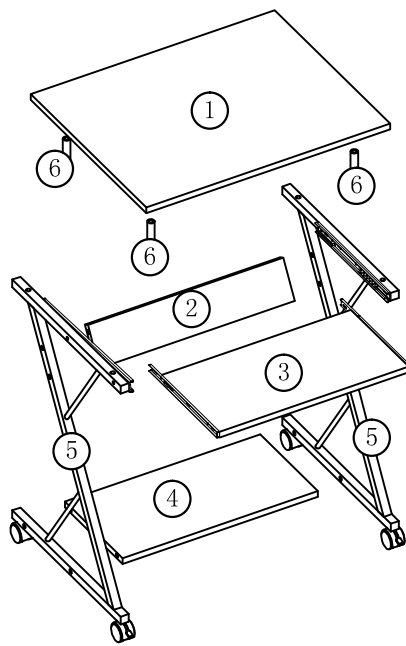
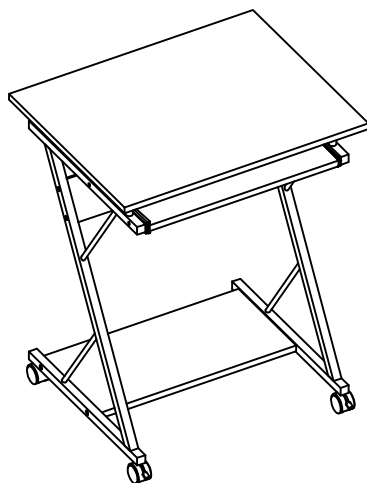










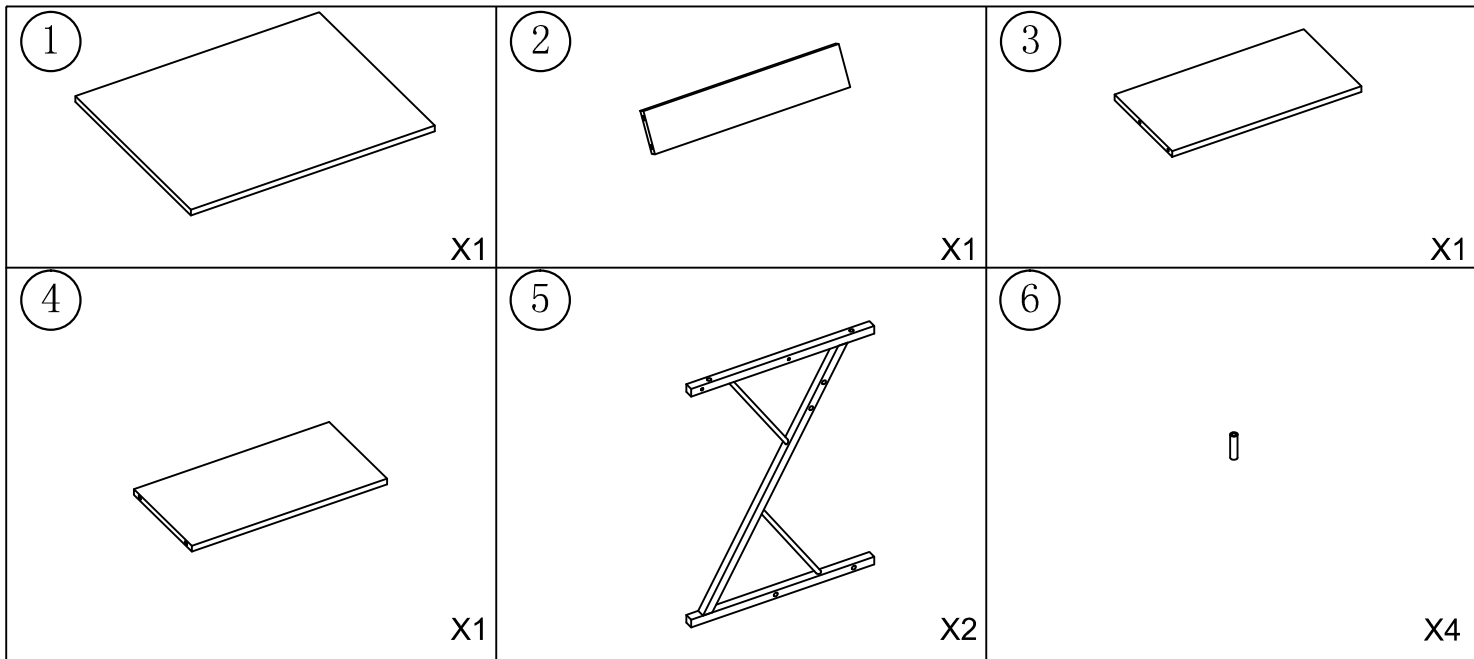


INSTALLATION INSTRUCTION

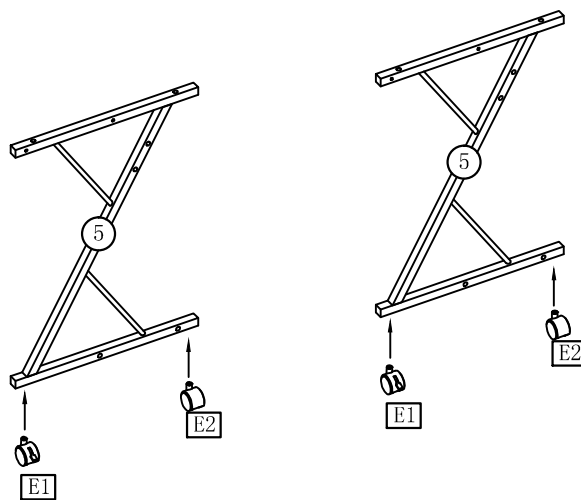




No.	PICTURE	SIZE	QTY	No.	PICTURE	SIZE	QTY
A	 ⊕	M6*90	4	E	E1  E2 		2
B	 ⊕	ST5*50	8	F	F1  F2 		2
C	 ⊕	ST4*10	4				
D	 ⊕	ST3.5*14	4		 ⊕ 		1

INSTALLATION INSTRUCTION

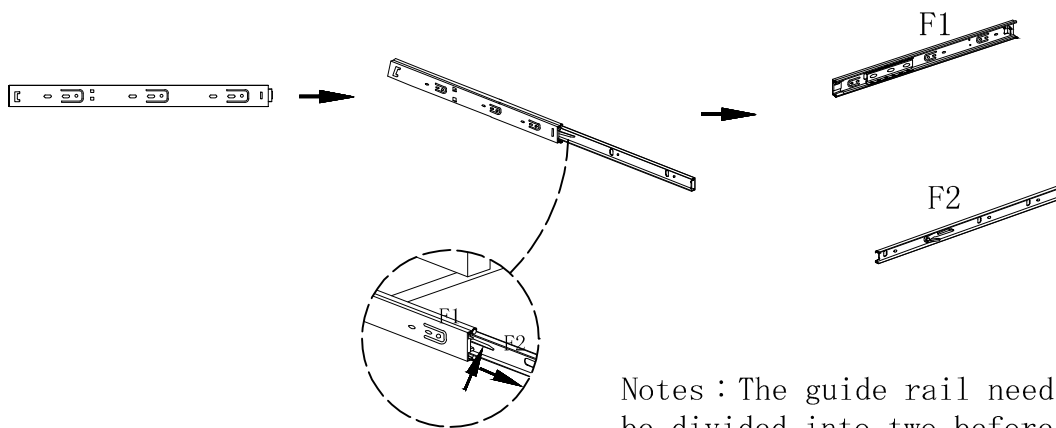


STEP 1





E1	2X	
E2	2X	

STEP 2

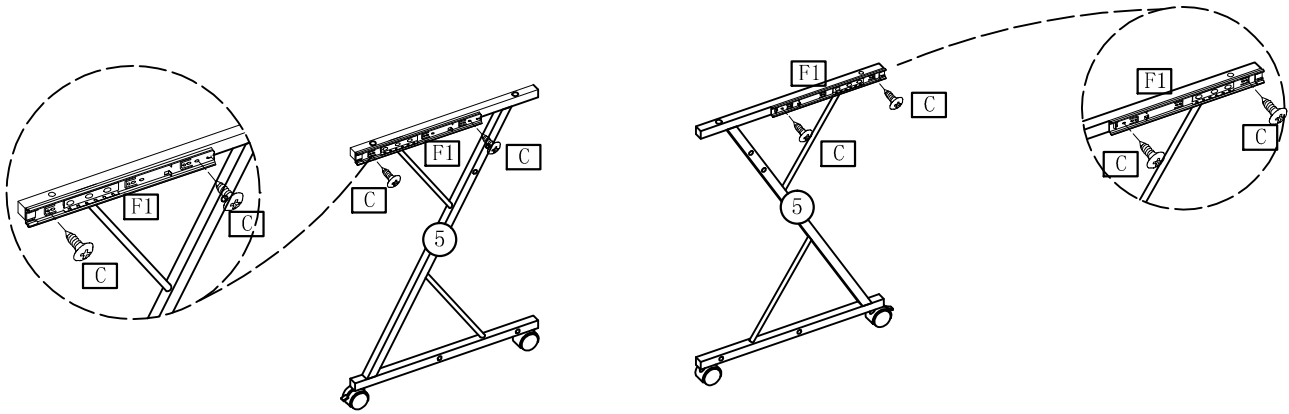


Notes : The guide rail needs to be divided into two before proceeding to the next step.

F1	2X	
F2	2X	

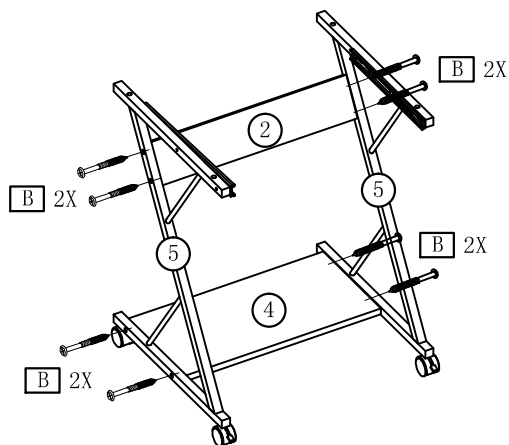
ASSEMBLY INSTRUCTION

STEP 3



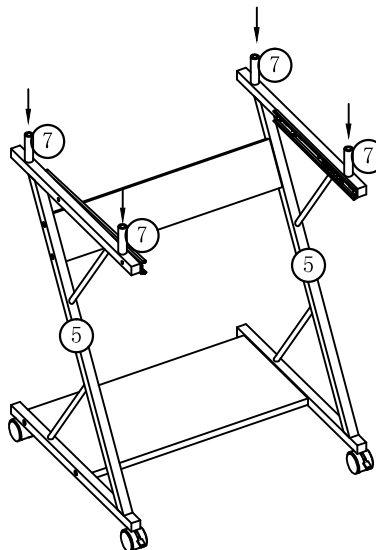
C	4X	
F1	2X	

STEP 4



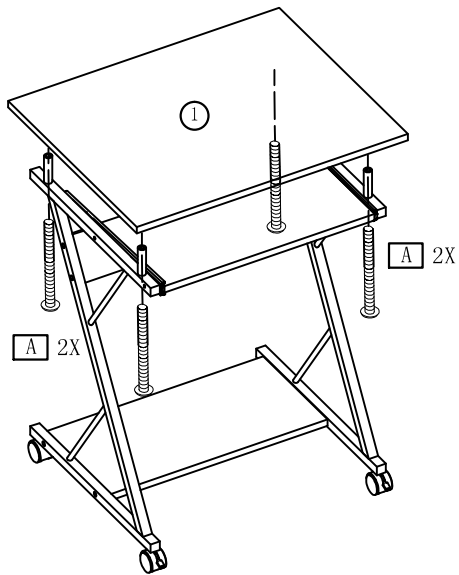
B	8X	
---	----	--

STEP 5



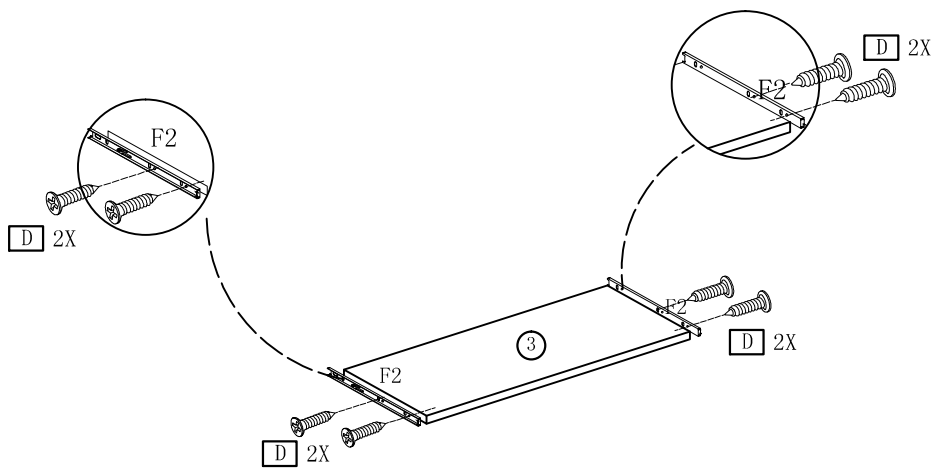
ASSEMBLY INSTRUCTION



STEP 6



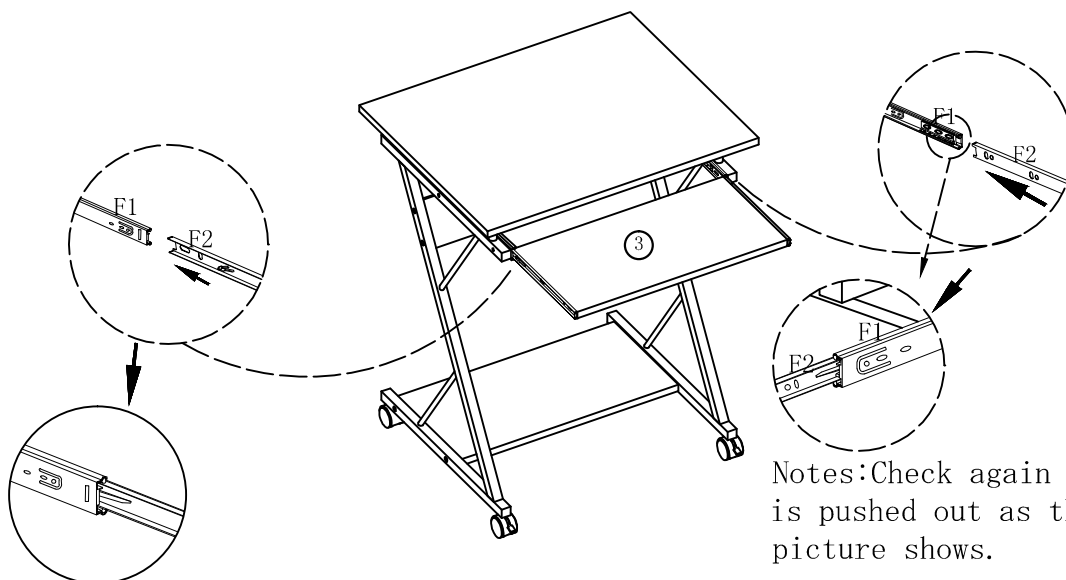
A 4X 

STEP 7



D 4X 
F2 2X 

STEP 8



Notes: Check again this part is pushed out as the picture shows.