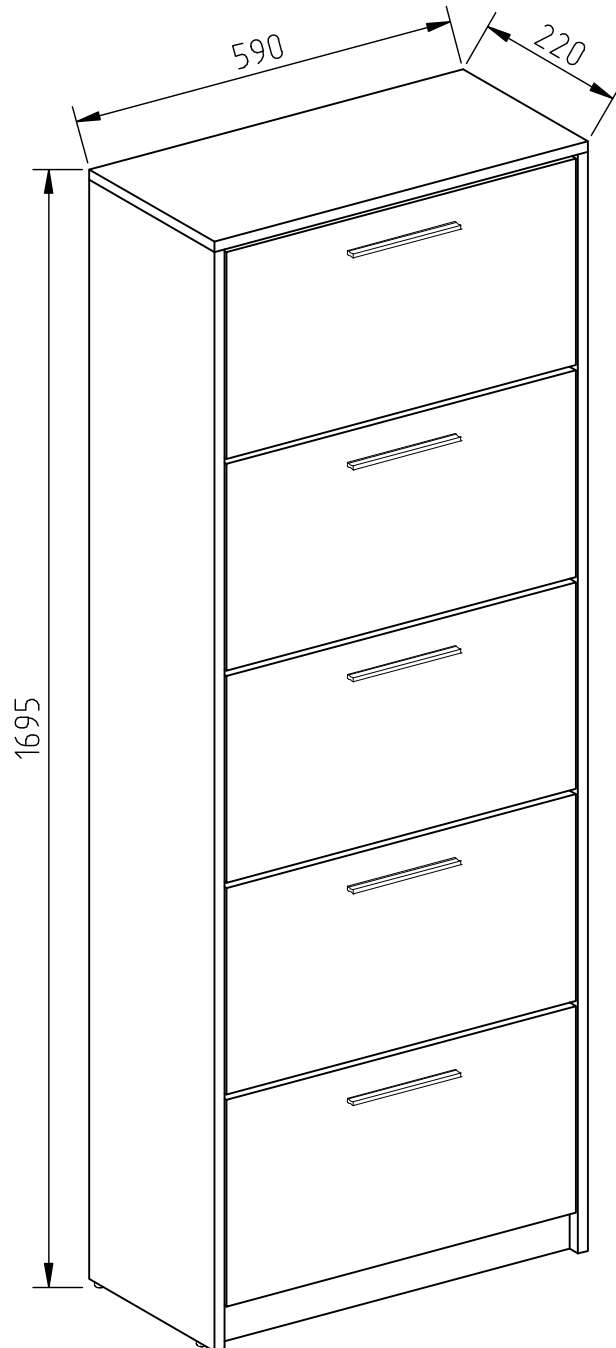
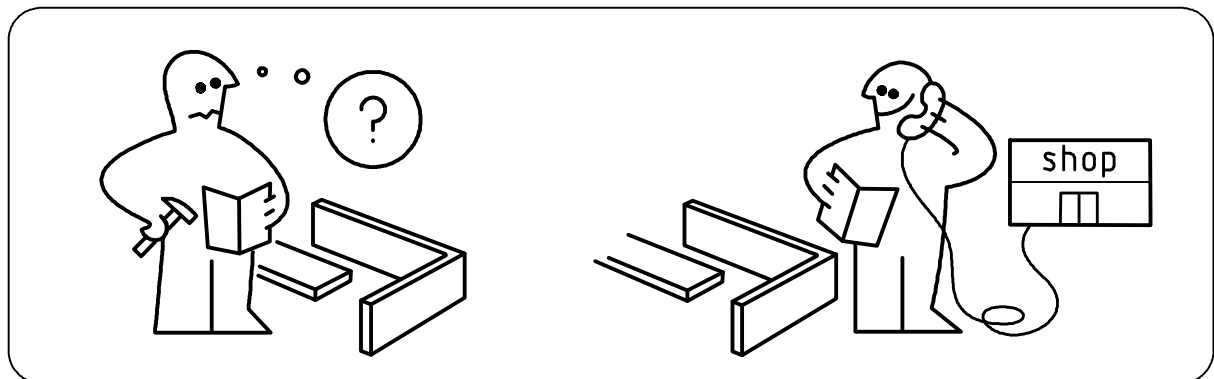
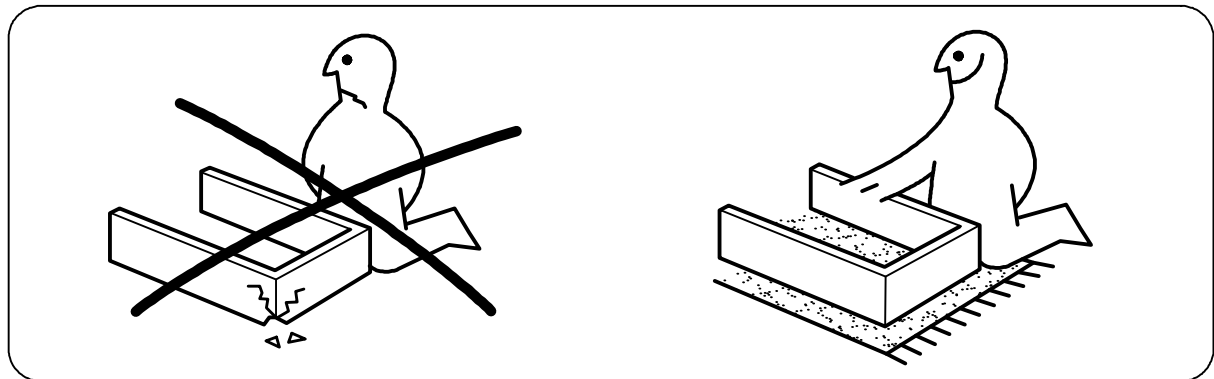
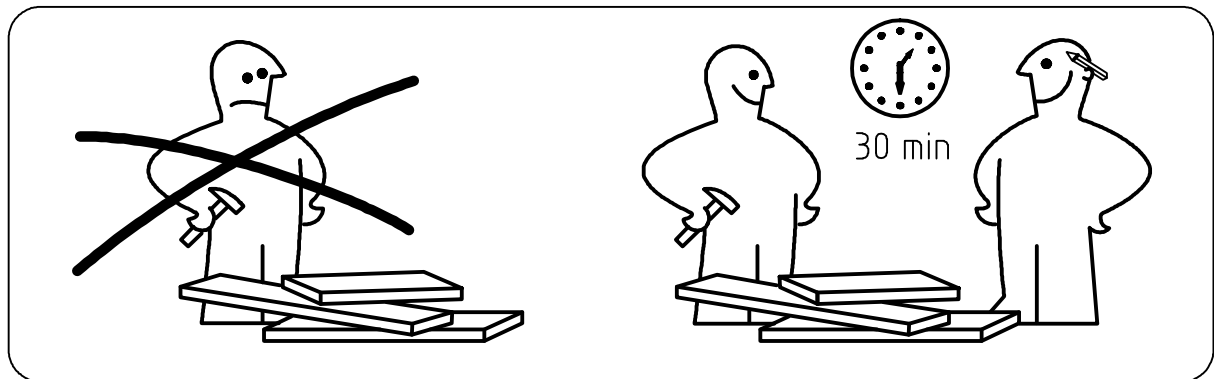
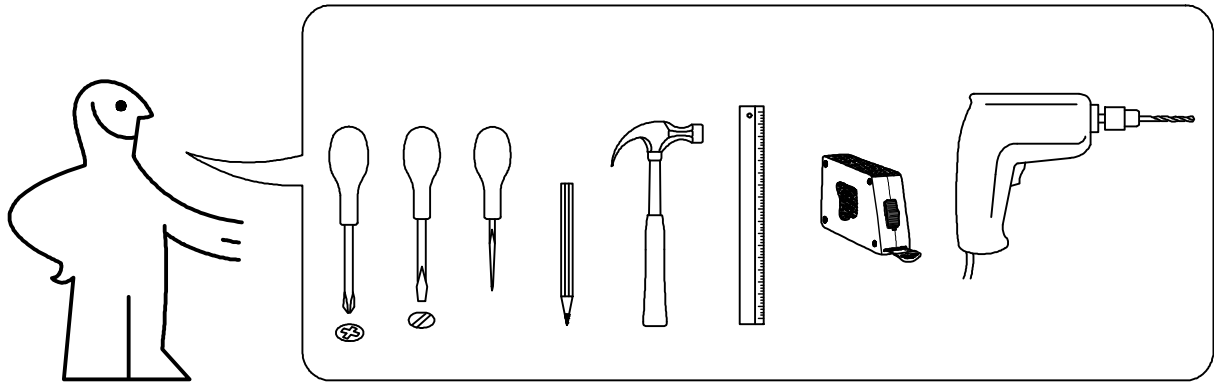
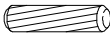



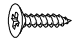




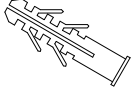
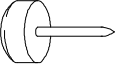

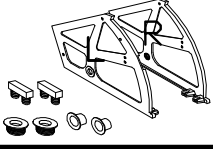
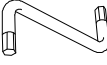

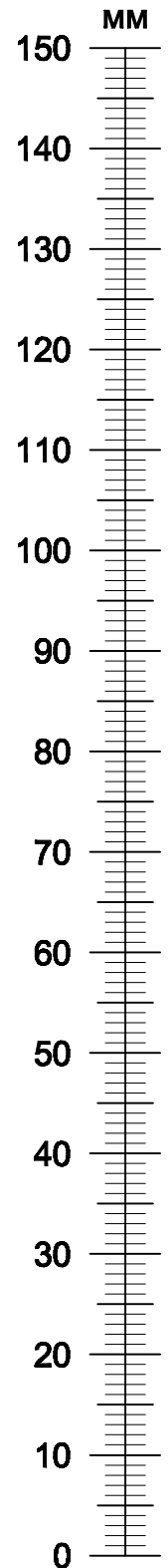


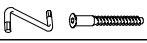
GIZMO

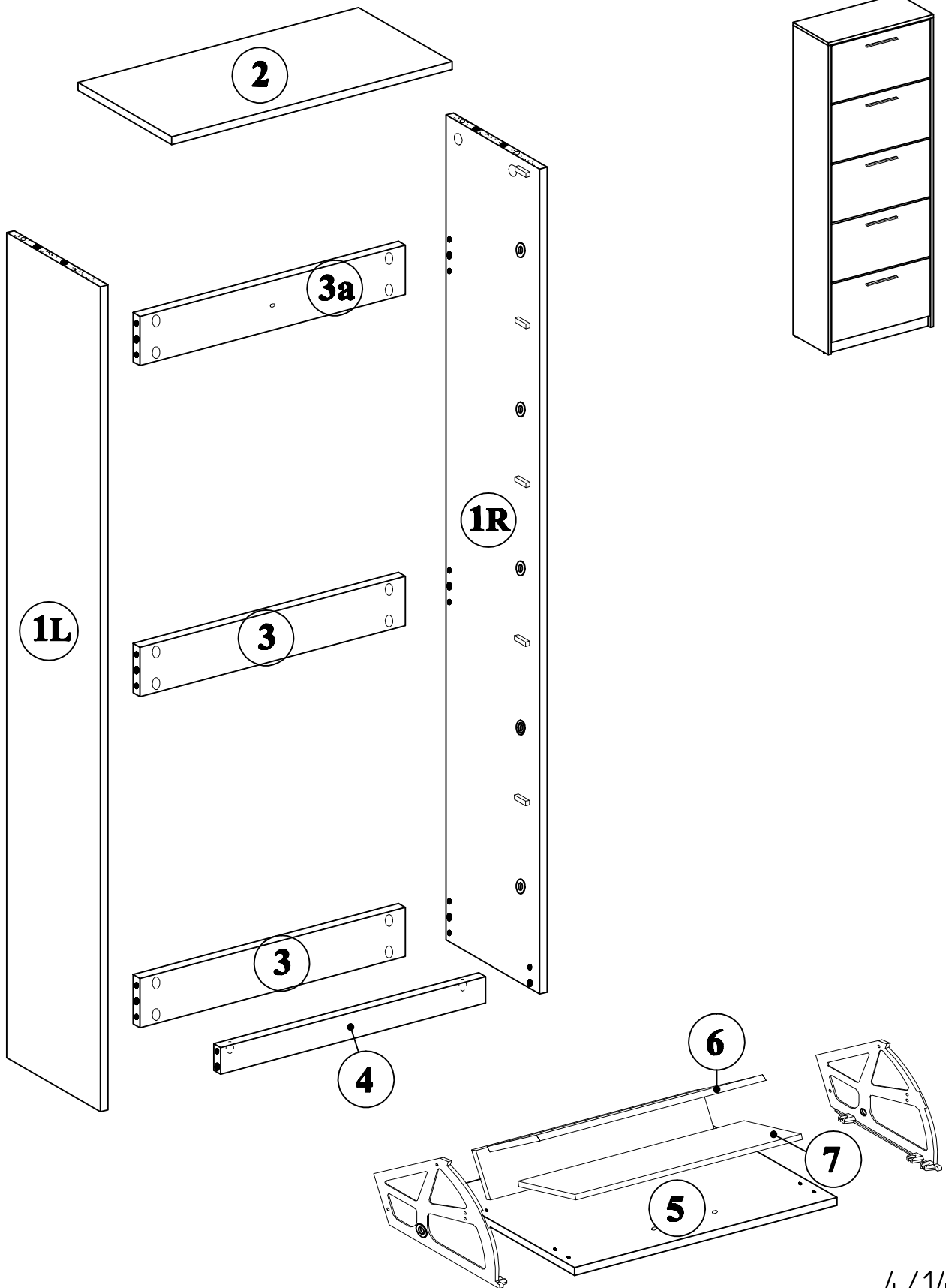







 A1 8*30mm x12	 C1 5*30mm x18	 D x18
 D1 16mm x18	 E5 3,5*16mm x30	 E16 5*50mm x1
 F1 6,3*13mm x30	 F3 5,0*13mm x10	 G4 M 4*25MM x10
 H5 8*40mm x1	 K1 x4	 I2 128mm x5
 N2 x5	 R4 N°4 x1	 R1 x1

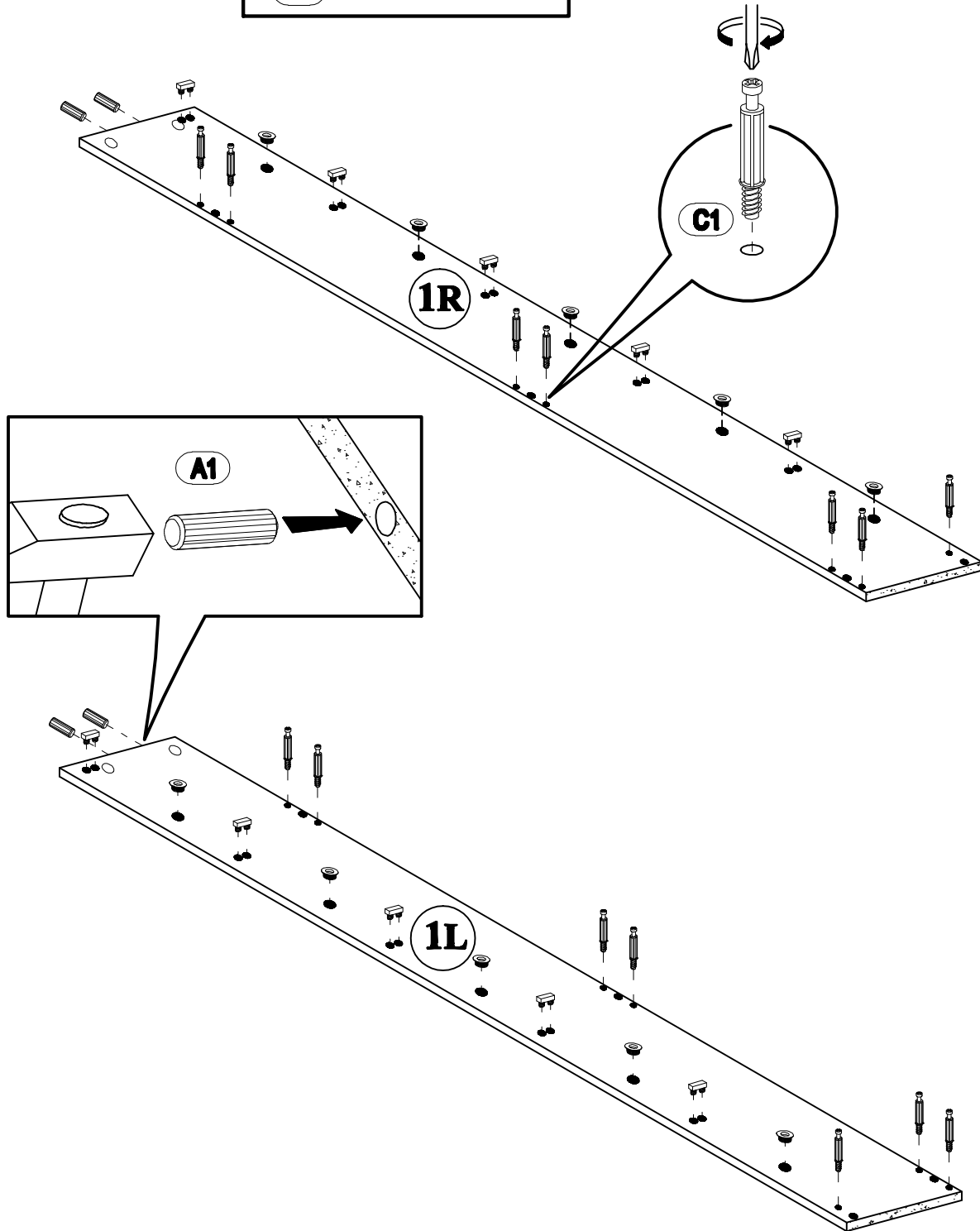


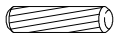

Nº	a*b*c	x	Nº→...
1L	1674x220x16	x1	1
1R	1674x220x16	x1	1
2	590x220x16	x1	2
3	558x100x16	x2	1
3a	558x100x16	x1	1
4	558x54x16	x1	2
5	562x314x16	x5	2
6	548x90x10	x5	1
7	548x142x10	x10	1
		x1	2



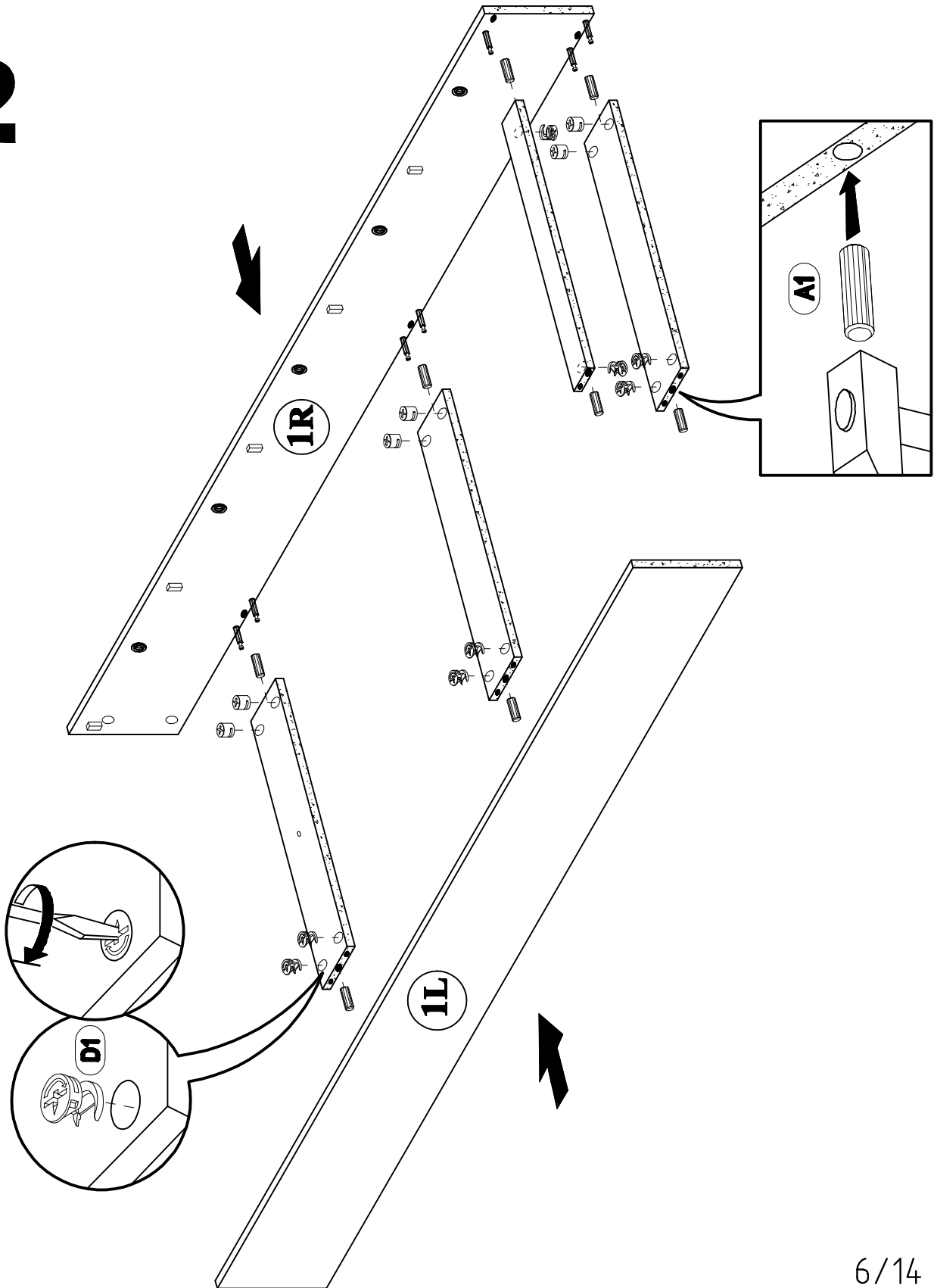
1



 A1 8*30mm x4	 C1 5*30mm x14
 N2 x10	



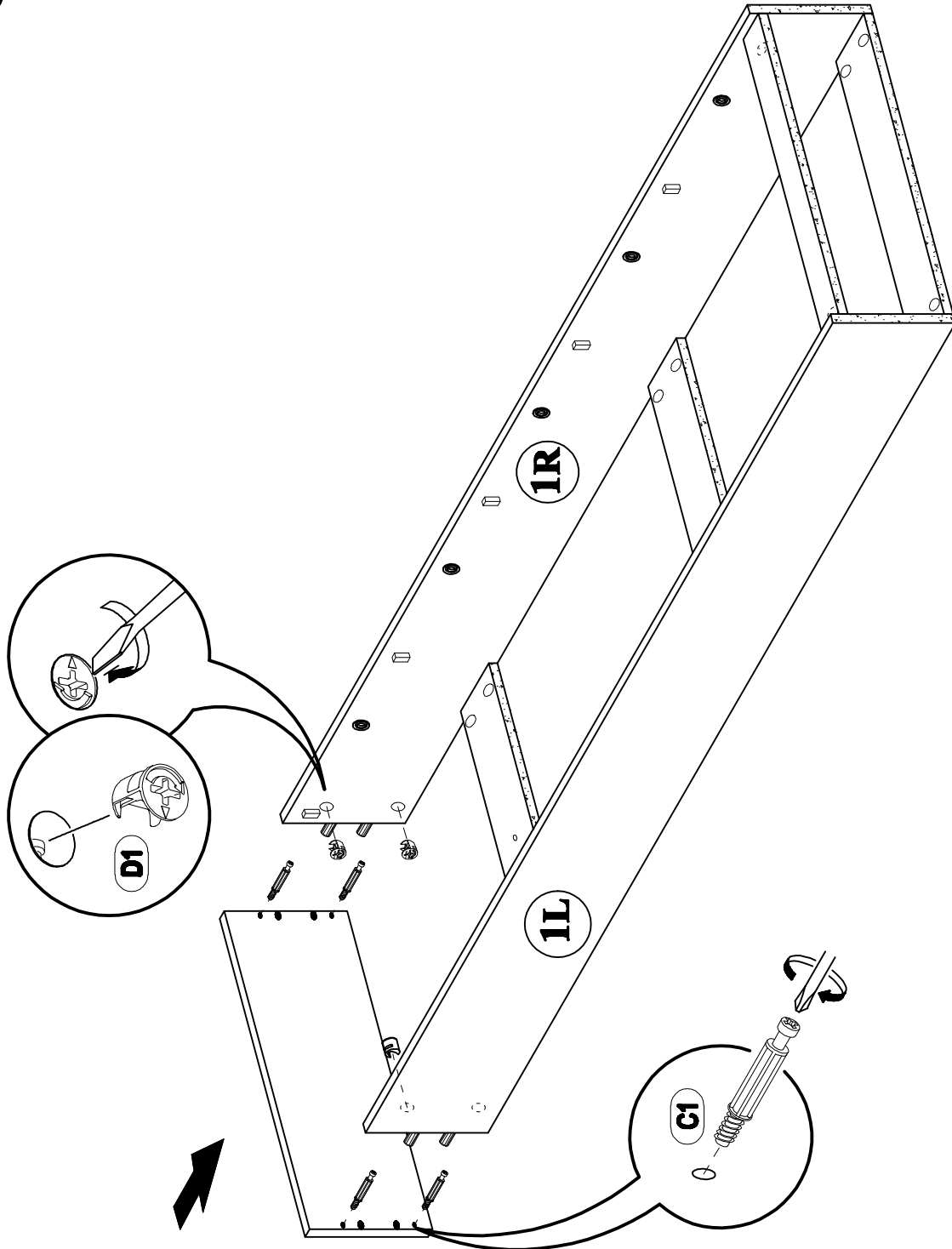
 A1 8*30mm x8	 D1 16mm x14
--	---

2

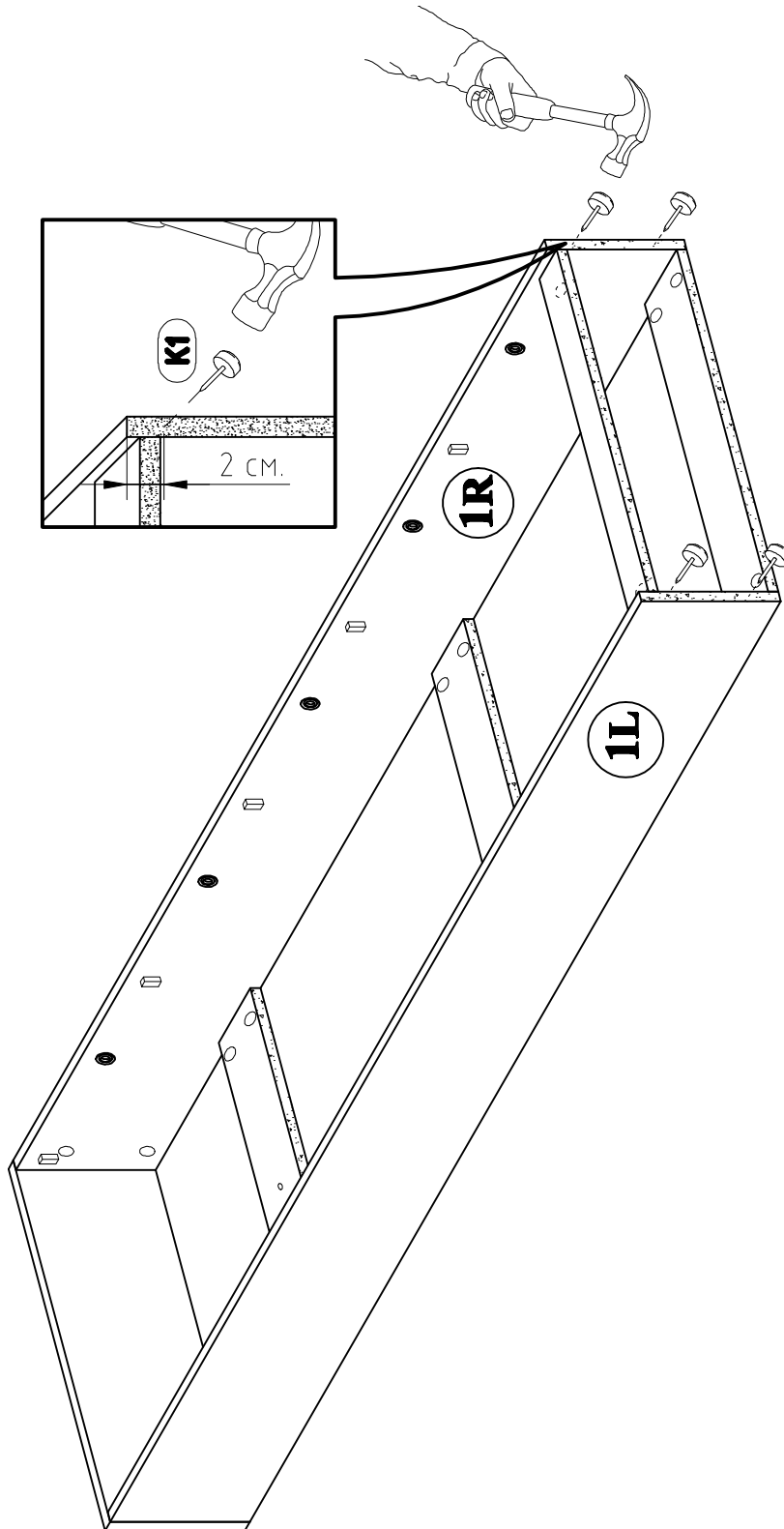
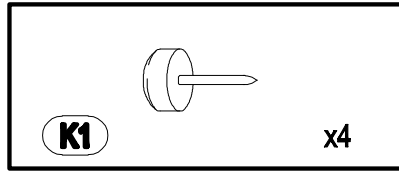


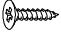

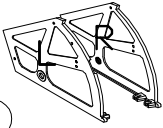
 C1 5*30mm x4	 D1 16mm x4
--	--

3



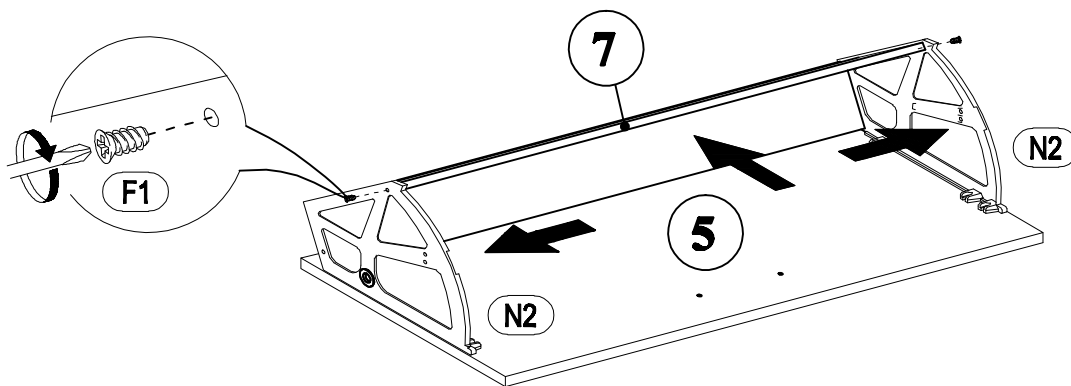
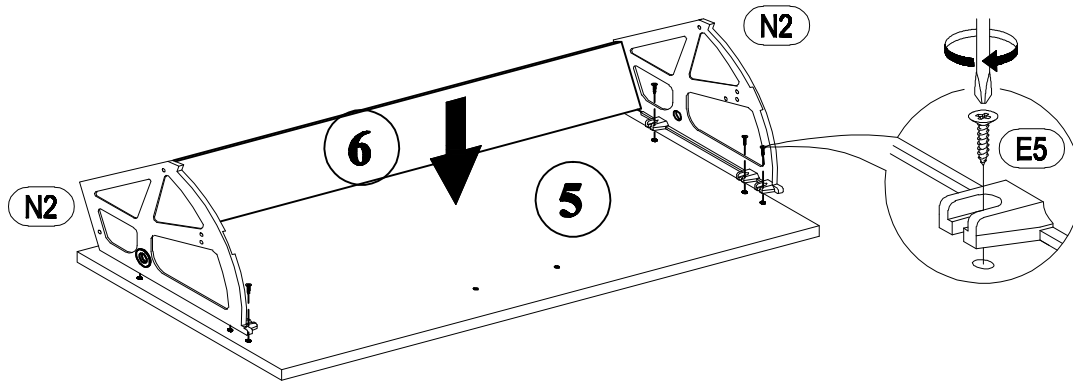
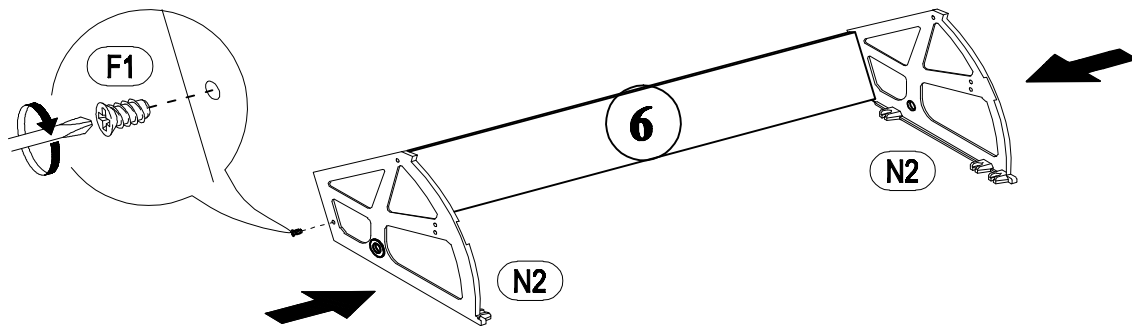
4





 E5 3,5*16mm x30	 F1 6,3*13mm x20	 N2 x5
--	--	---

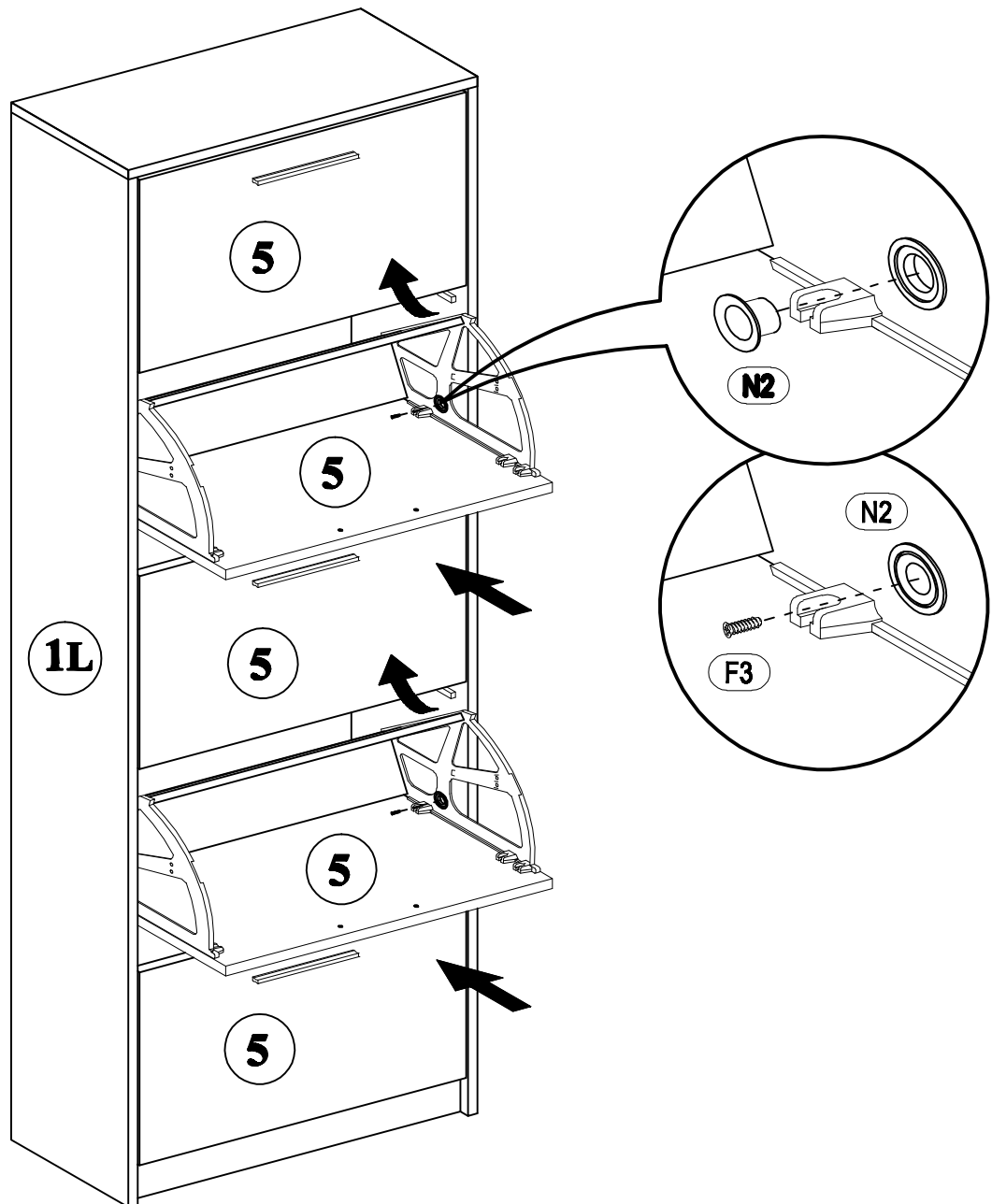
5


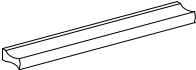

5
x5



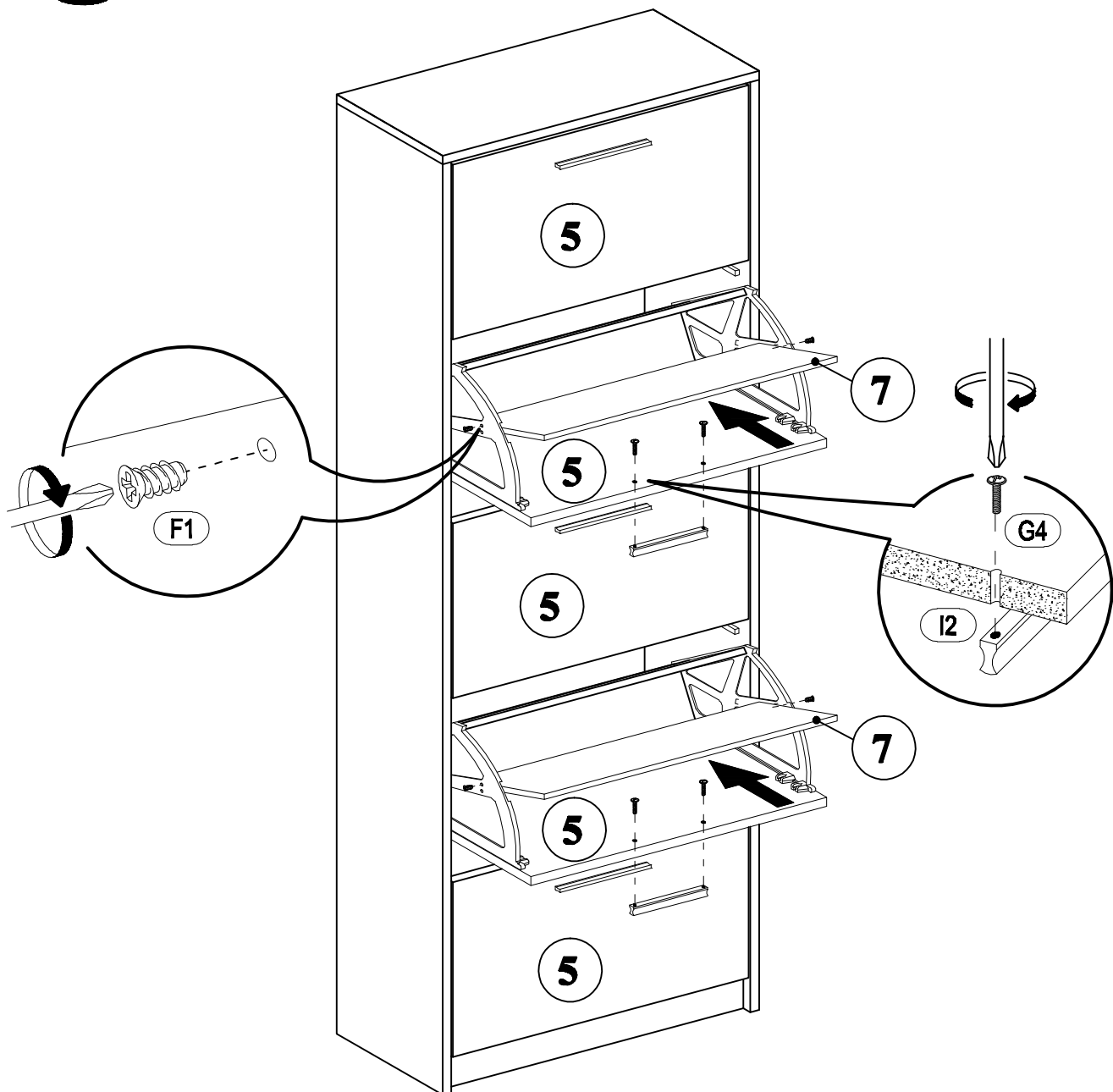
 F3 5,0*13mm x10	 N2 x10
---	--

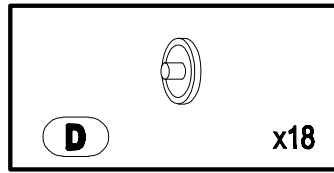
7



 F1 6,3*13mm x10	 I2 128mm x5	 G4 M 4*25MM x10
--	--	--

8





9

