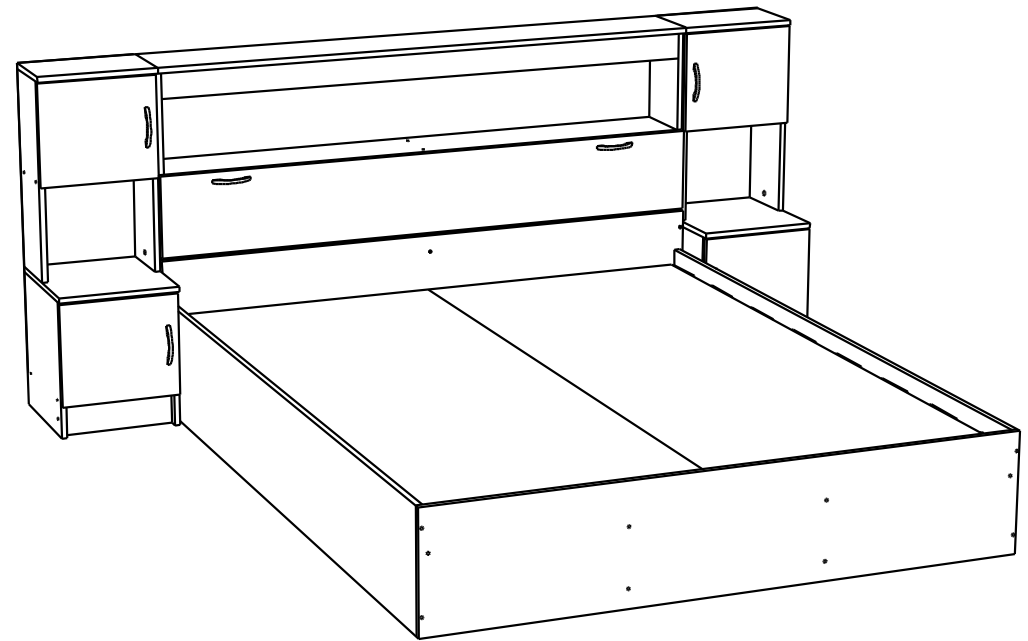
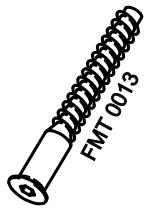


KR552

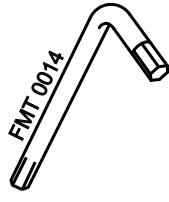




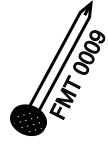
57x



25x



1x



139x



2x

33



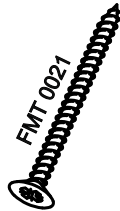
22x



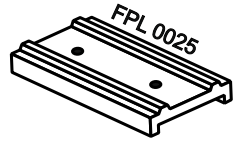
16x



16x



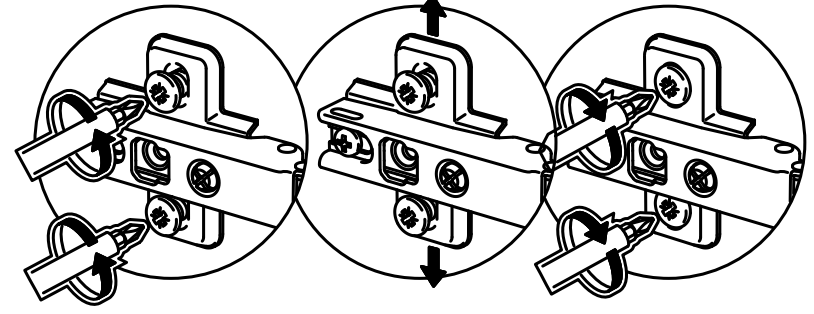
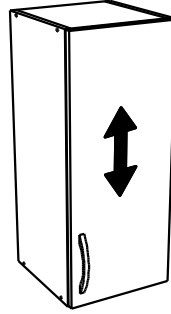
14x



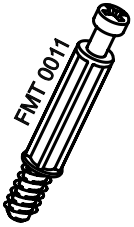
24x



10x



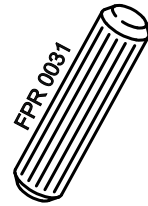
18x



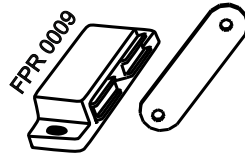
18x



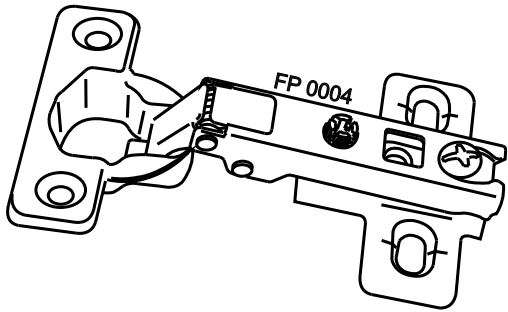
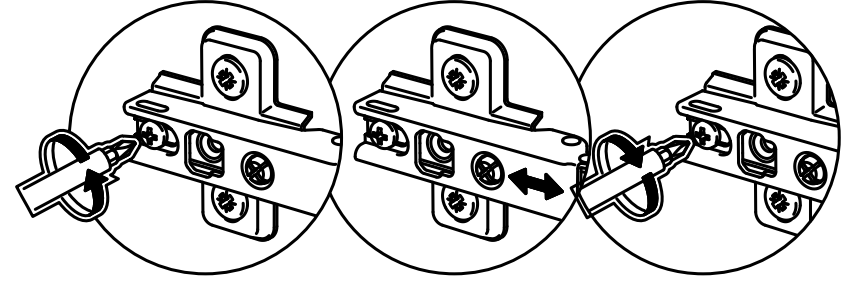
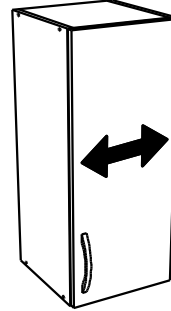
10x



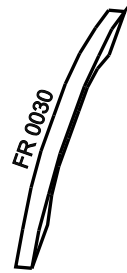
12x



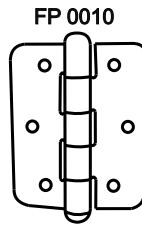
4x



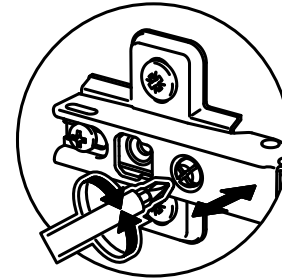
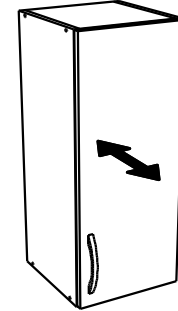
8x

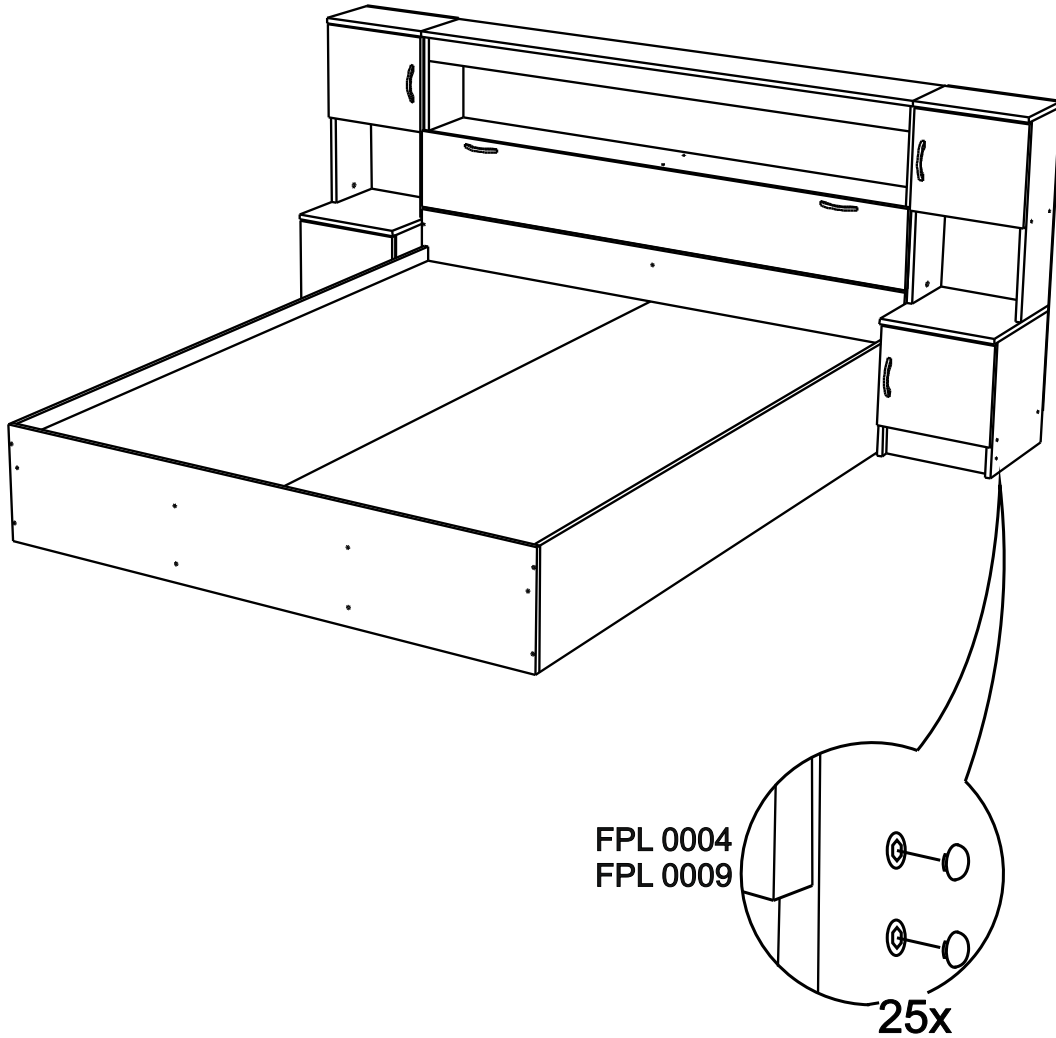


6x



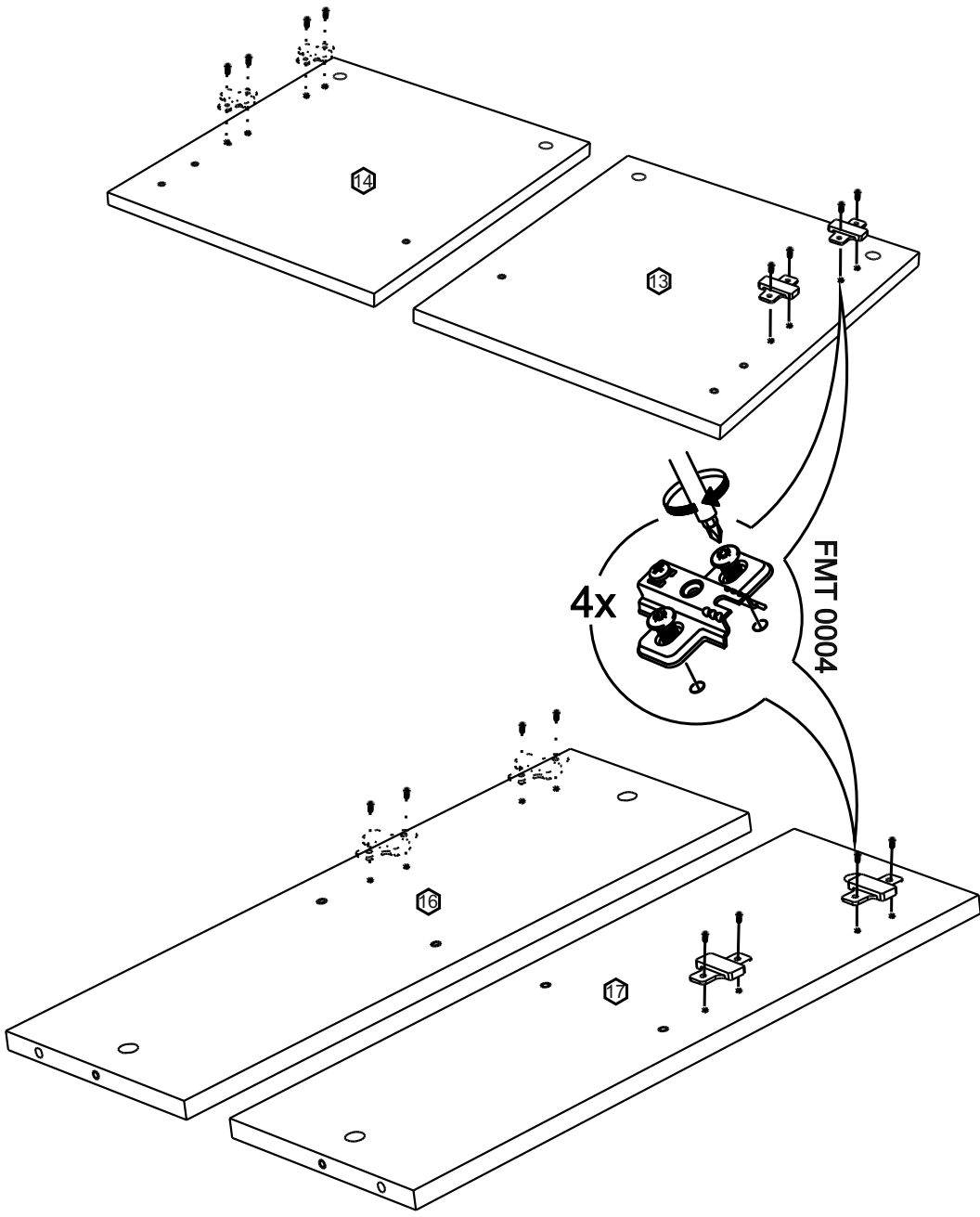
4x



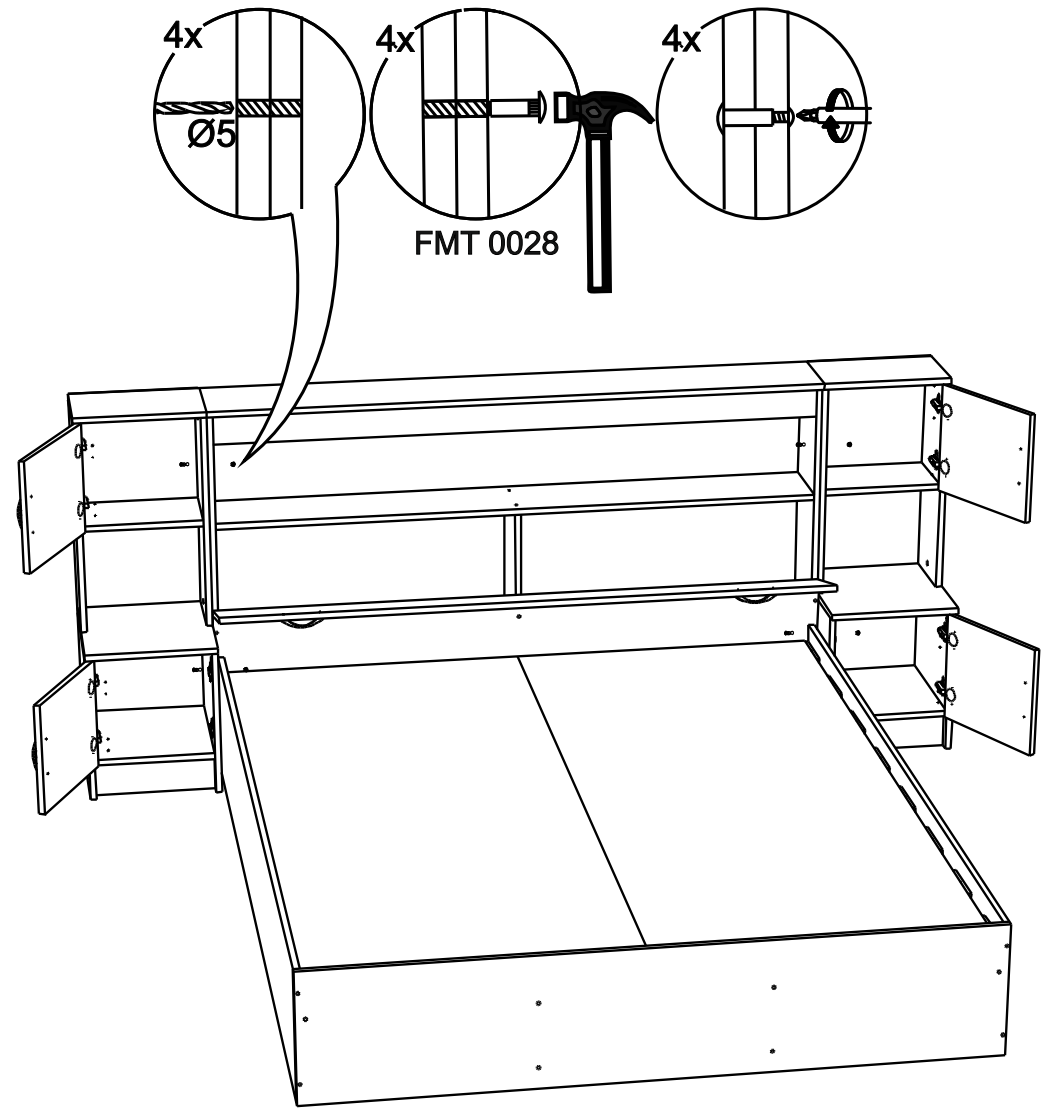


No	code	a*b	x
1	KR552.01	1652*450	1
2	KR552.02	1632*330	1
3	KR552.03	2000*330	2
4	KR552.04	2000*266	2
5	KR552.05	2000*106	2
6	KR552.06	1600*140	8
7	KR552.07	1000*200	1
8	KR552.08	1000*200	1
9	KR552.09	568*200	1
10	KR552.10	1652*220	1
11	KR552.11	1620*200	2
12	KR552.12	1620*80	1
13	KR552.13	1650*243	1
14	KR552.14	400*360	2
15	KR552.15	400*360	2
16	KR552.16	584*200	2
17	KR552.17	584*200	2
18	KR552.18	350*380	2
19	KR552.19	350*220	2
20	KR552.20	318*360	2
21	KR552.21	318*200	2
22	KR552.22	318*96	2
23	KR552.23	346*300	4
24	KR552.24	1995*795	2
25	KR552.25	1650*590	1
26	KR552.26	1650*320	1
27	KR552.27	920*345	2

1



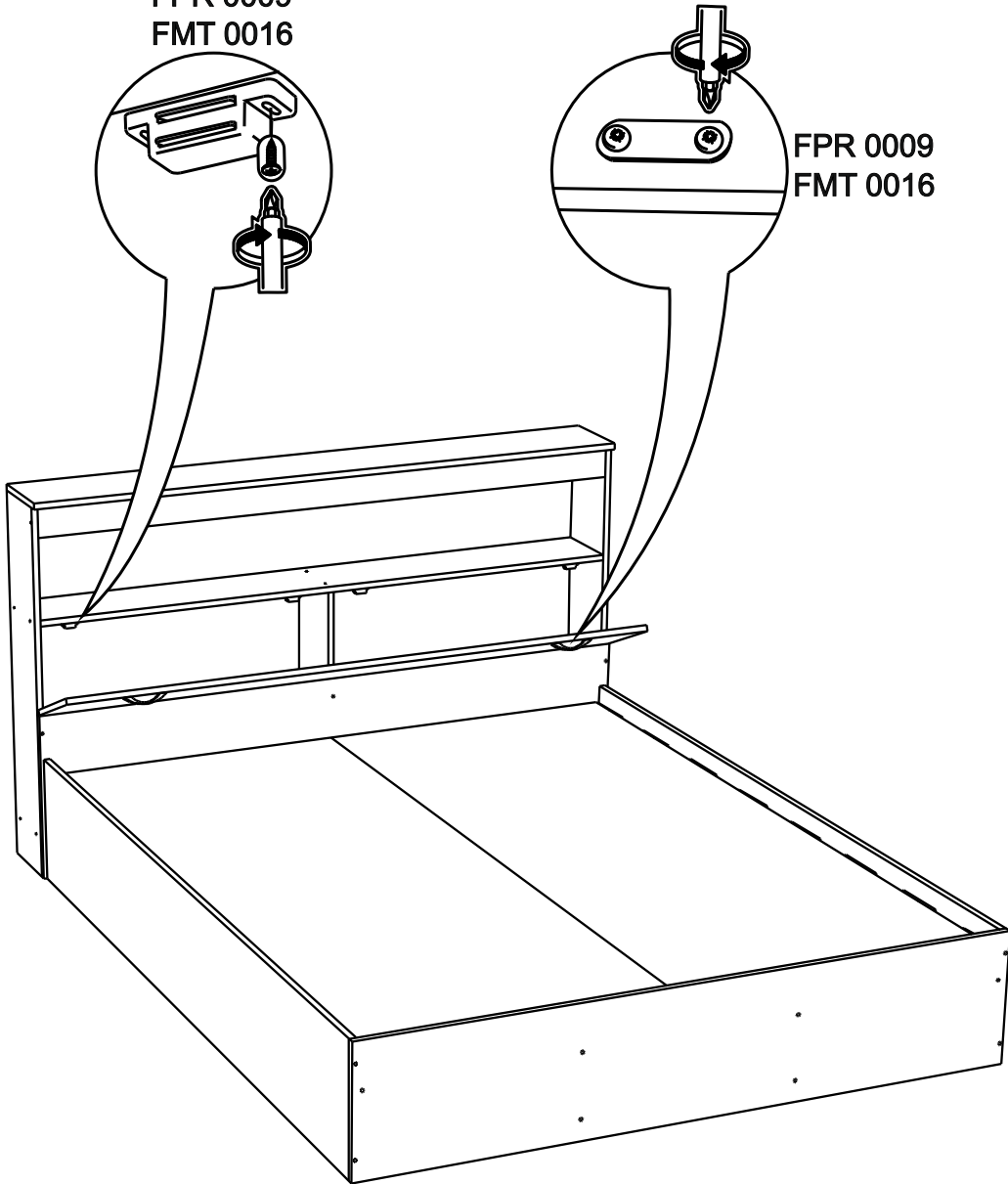
31



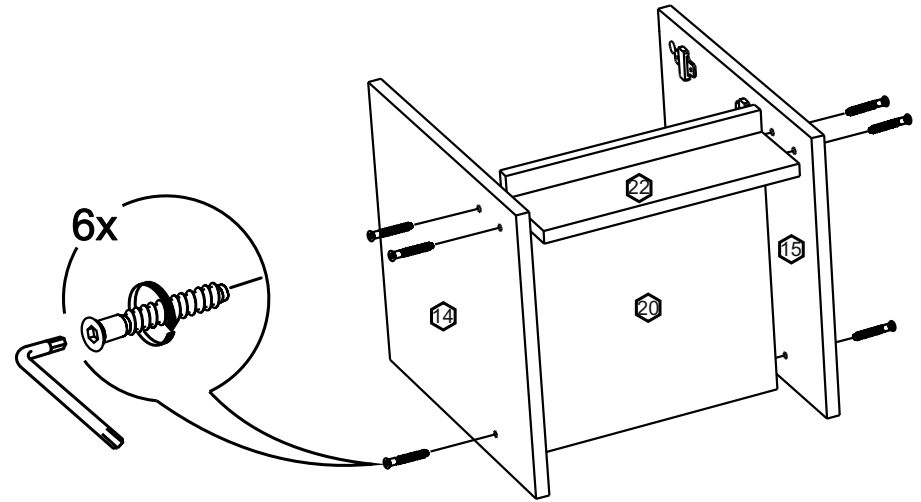
30

FPR 0009
FMT 0016

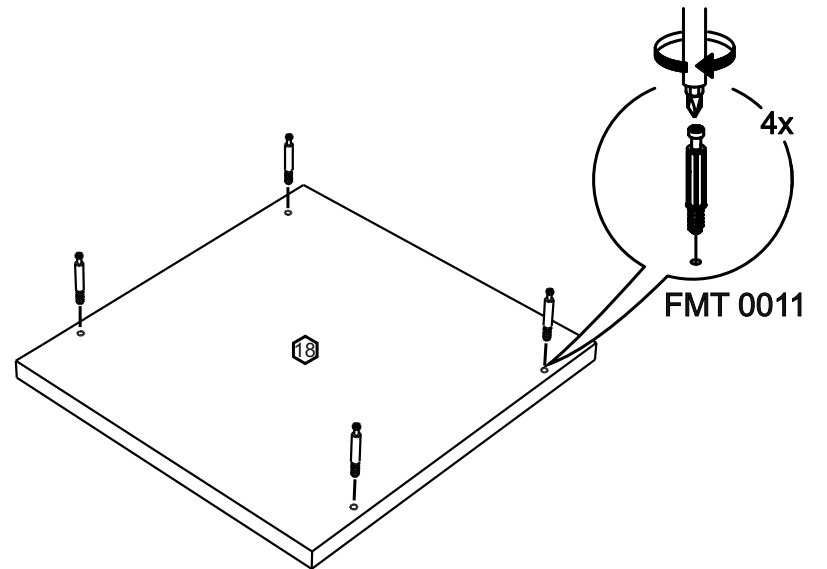
FPR 0009
FMT 0016



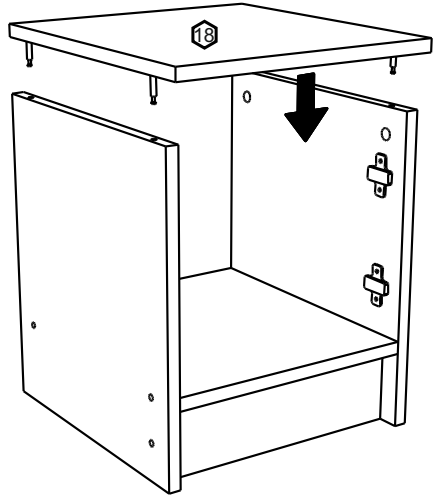
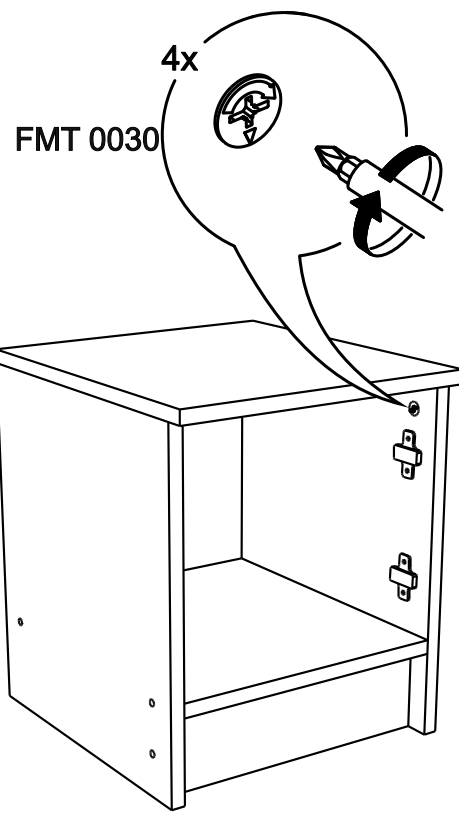
2



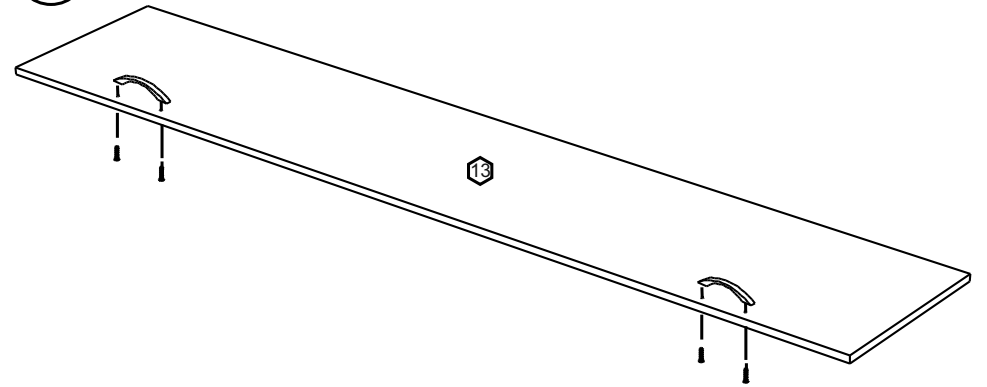
3



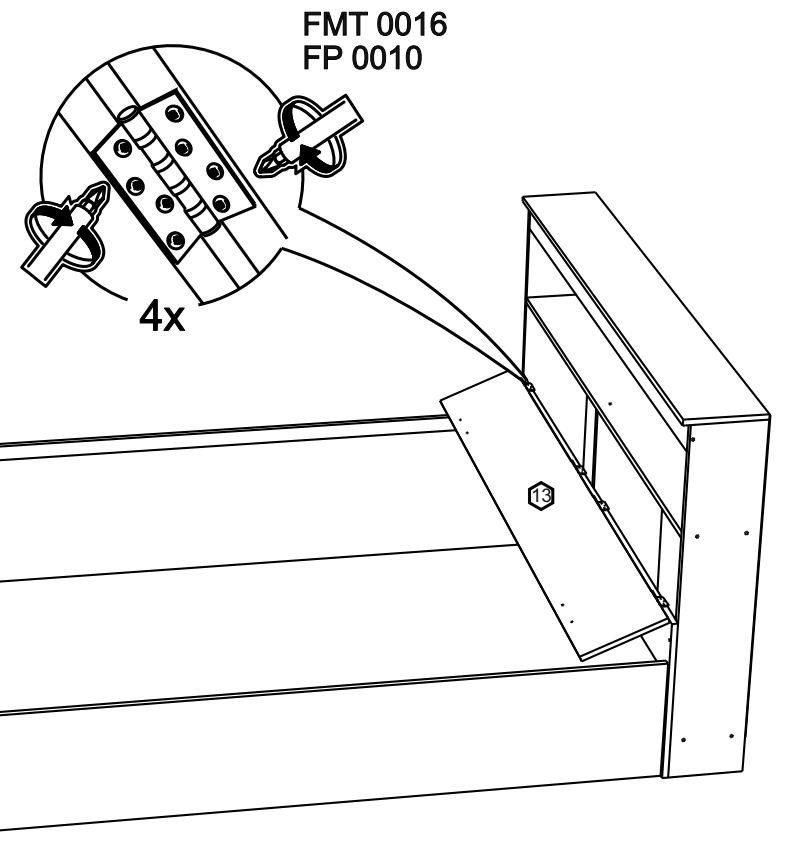
4



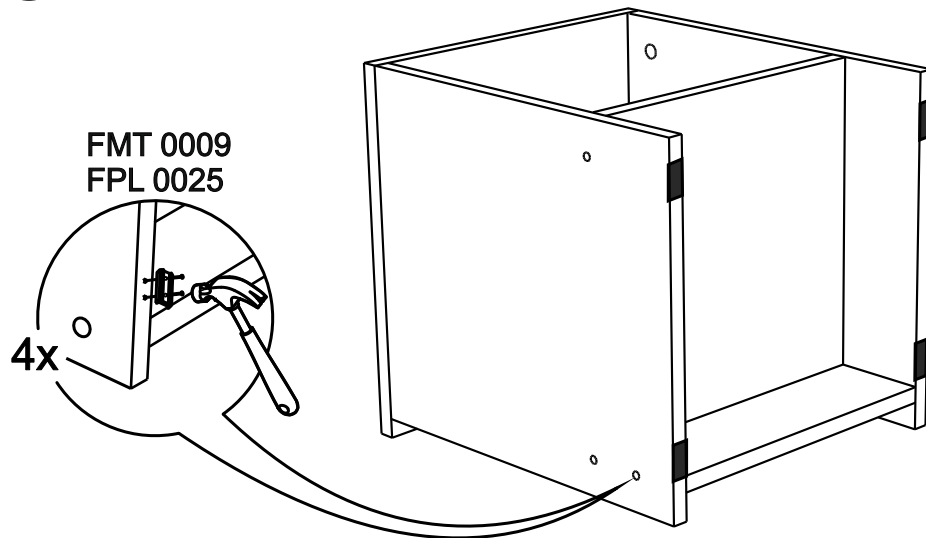
28



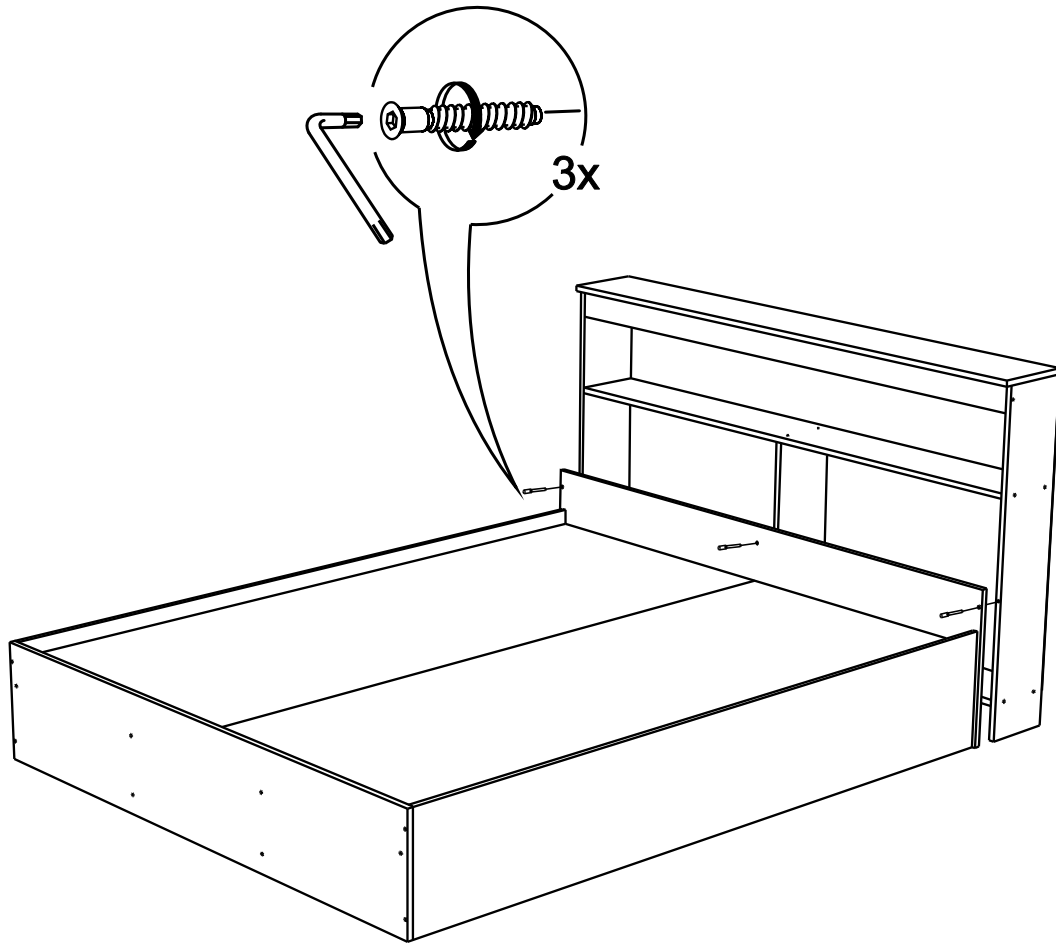
29



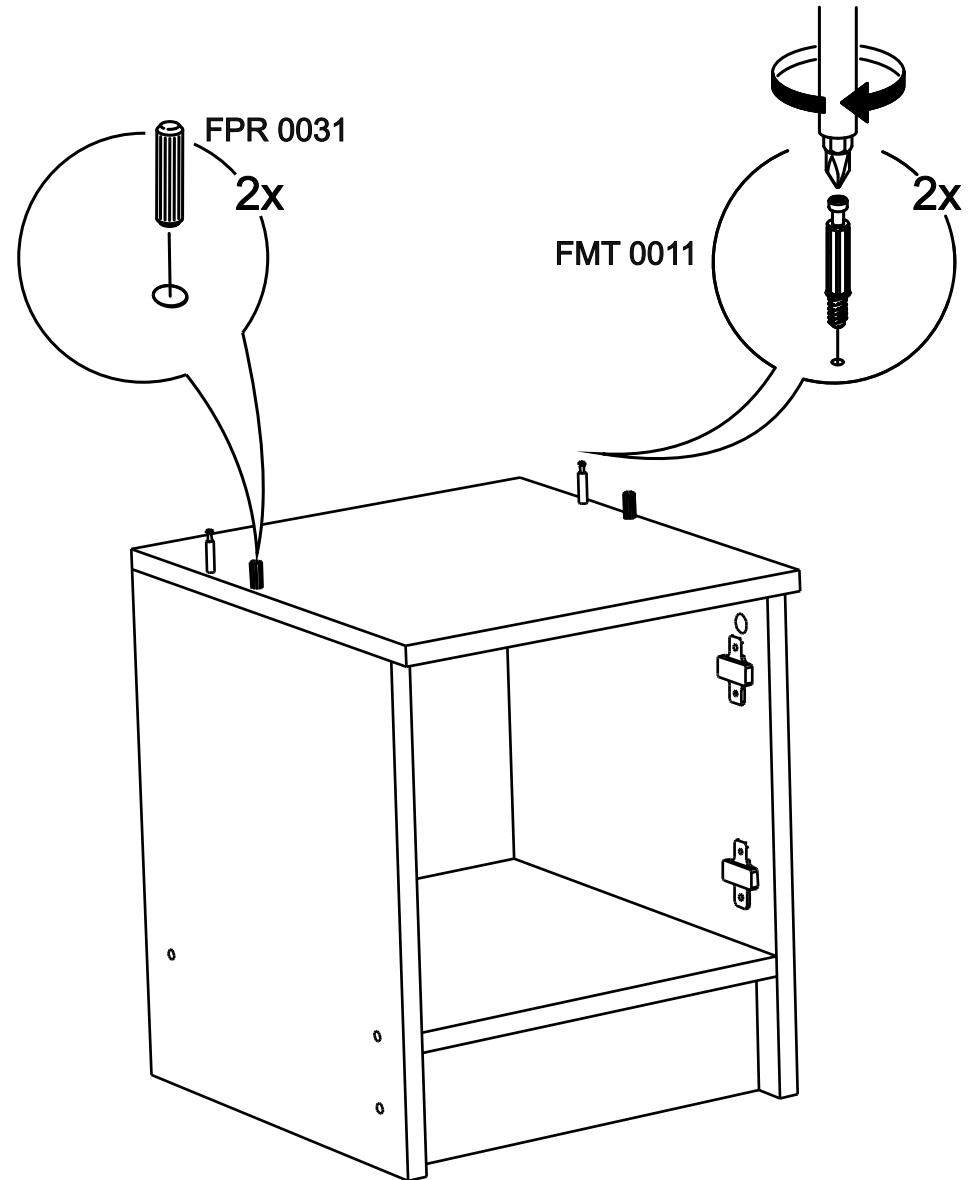
5



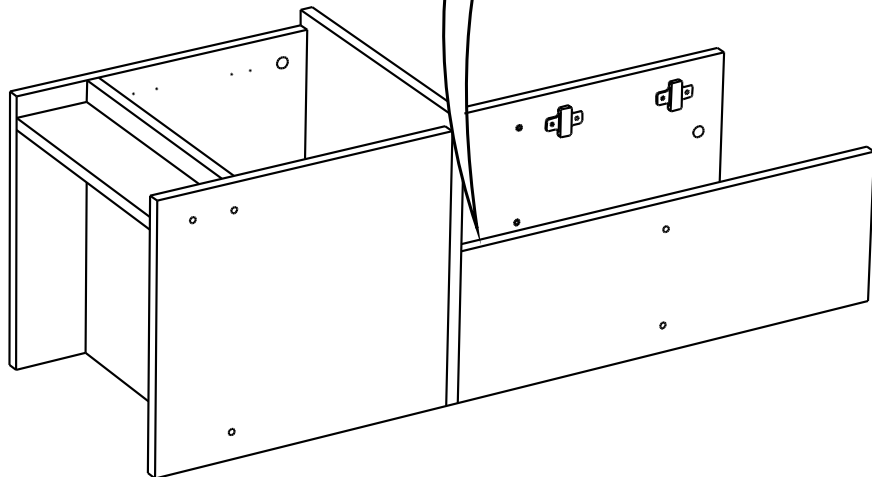
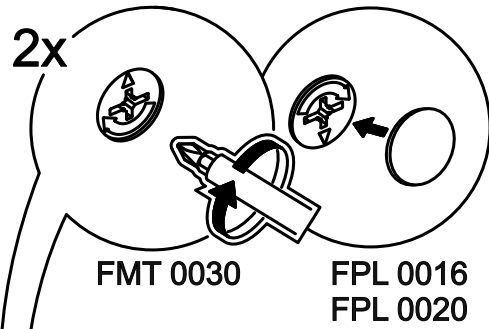
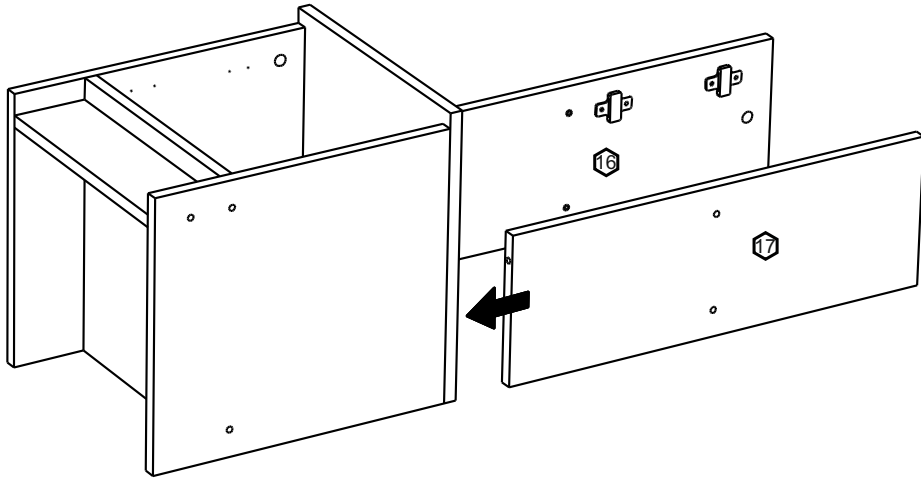
27



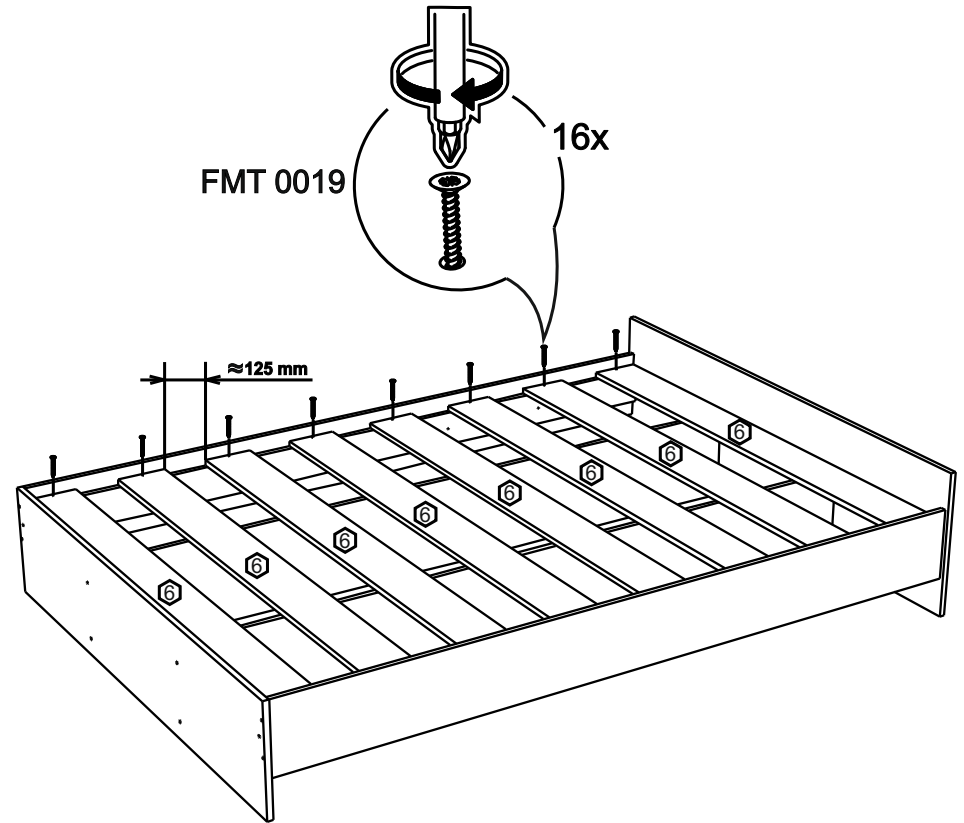
6



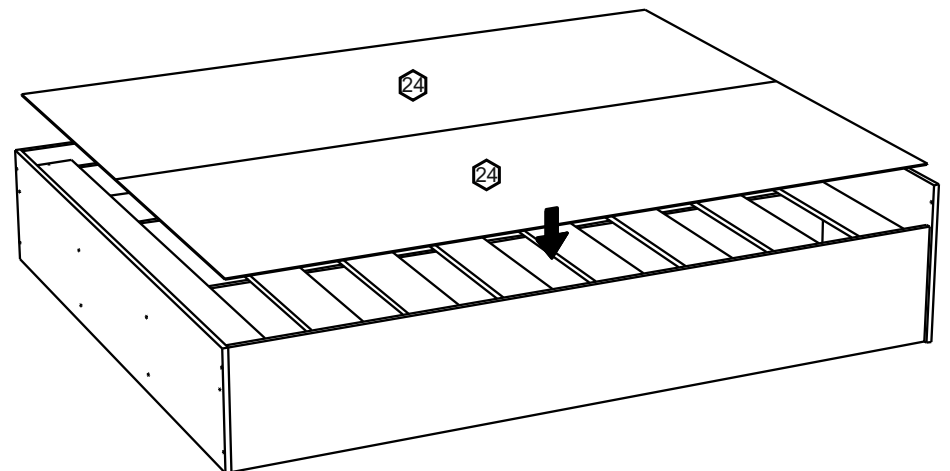
7



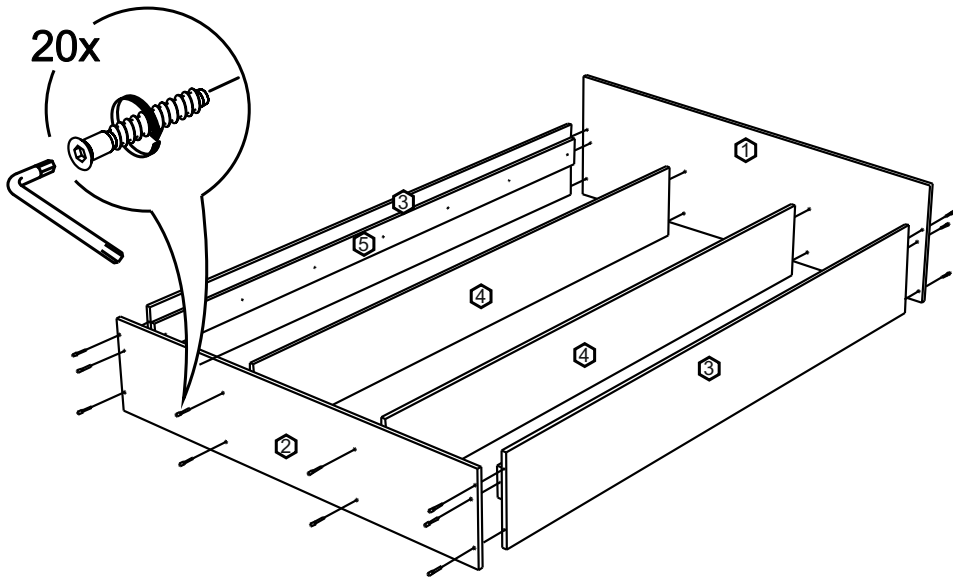
25



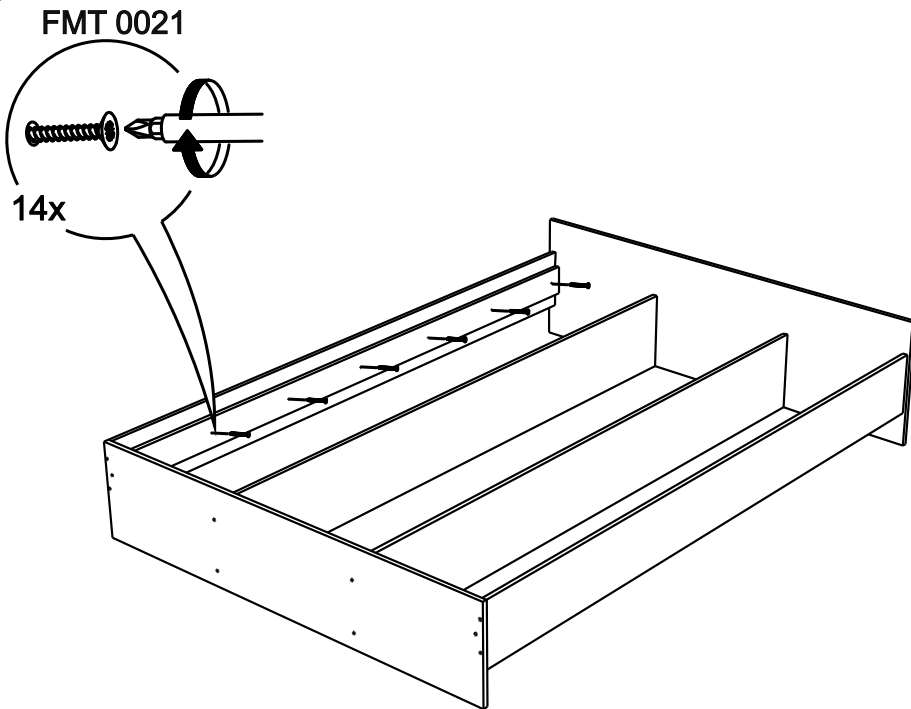
26



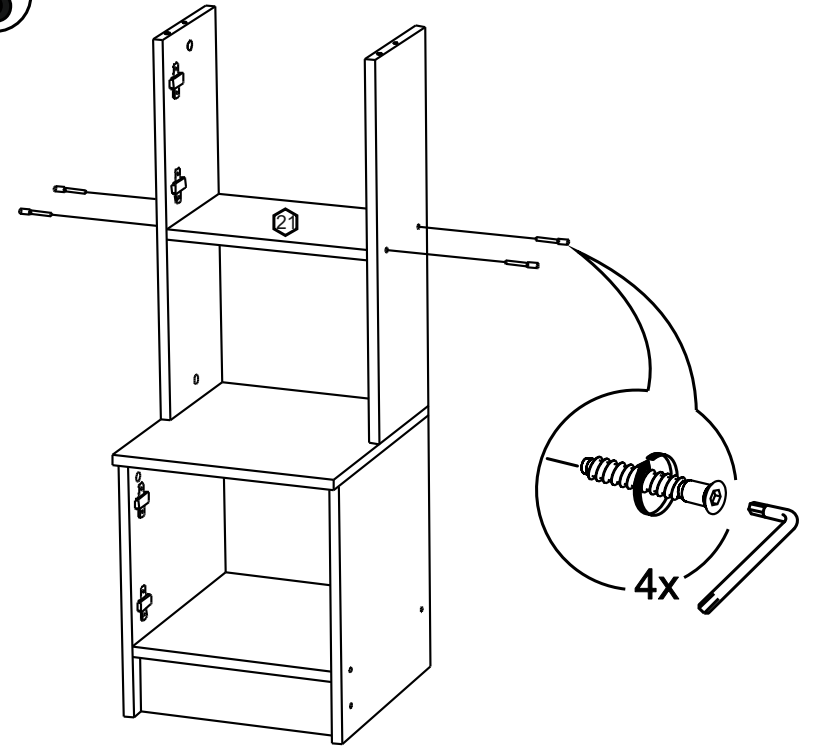
23



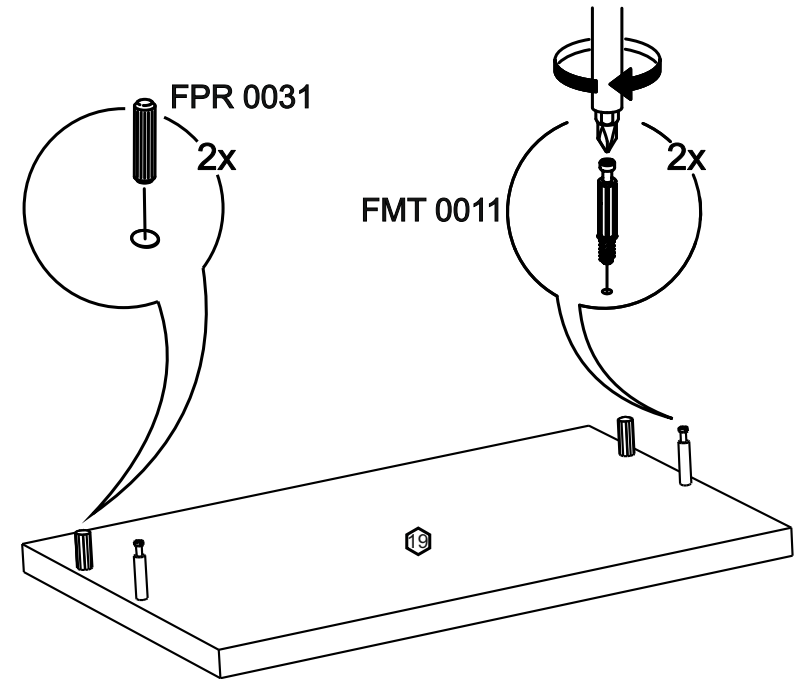
24



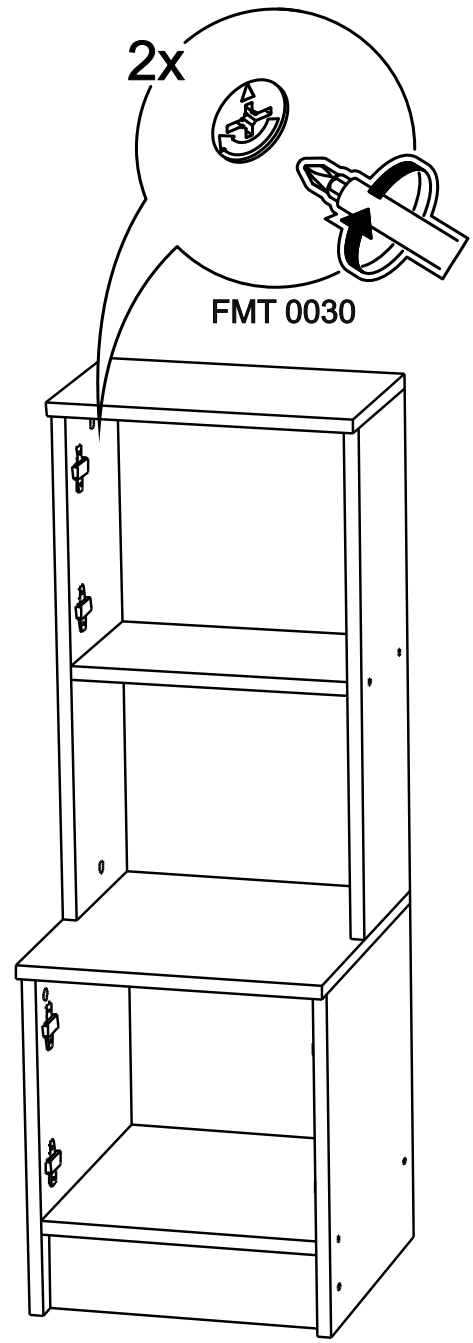
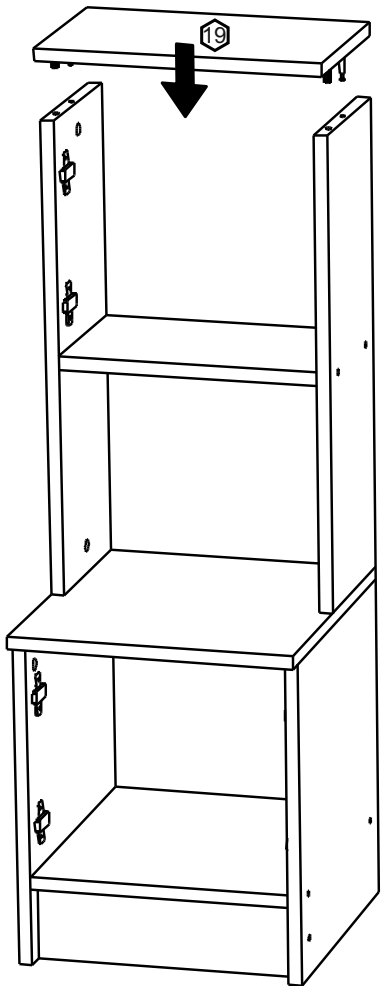
8



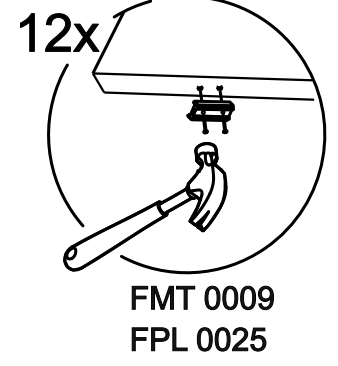
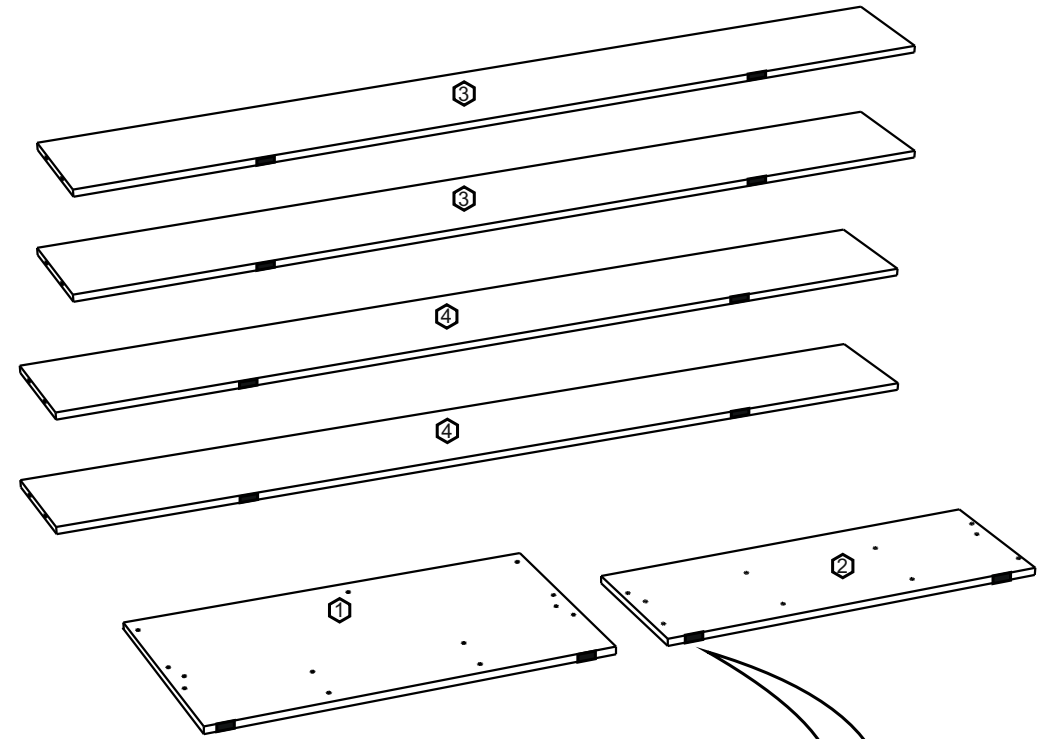
9



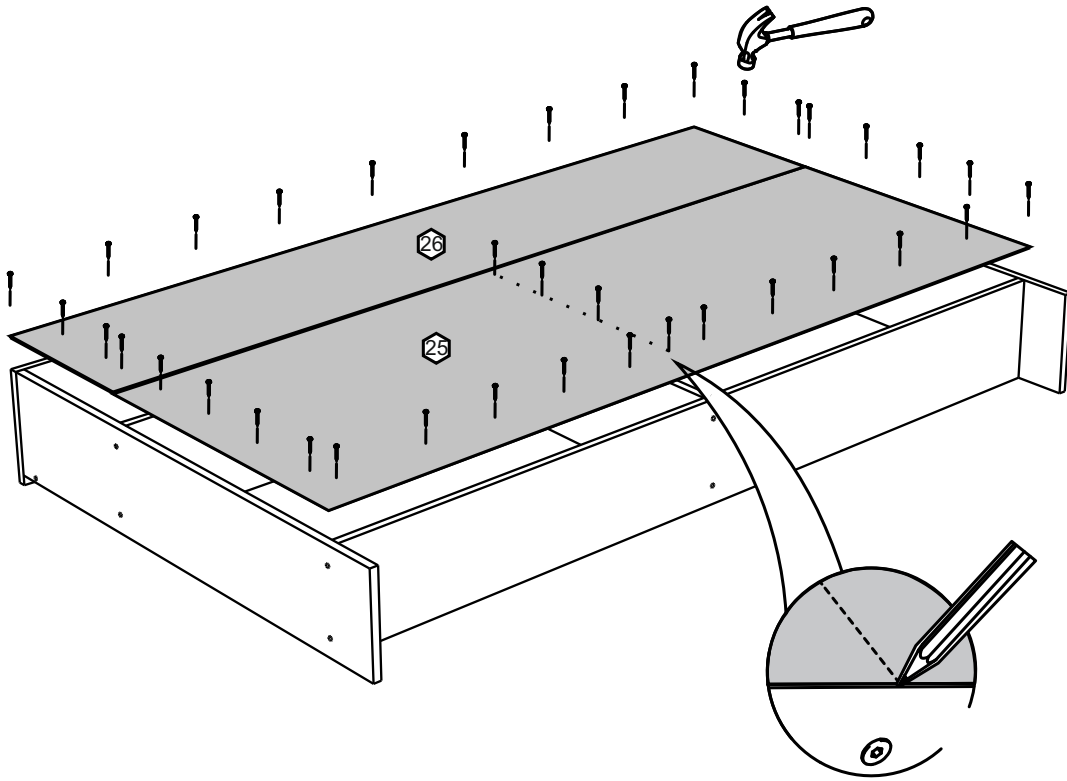
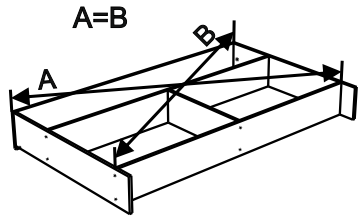
10



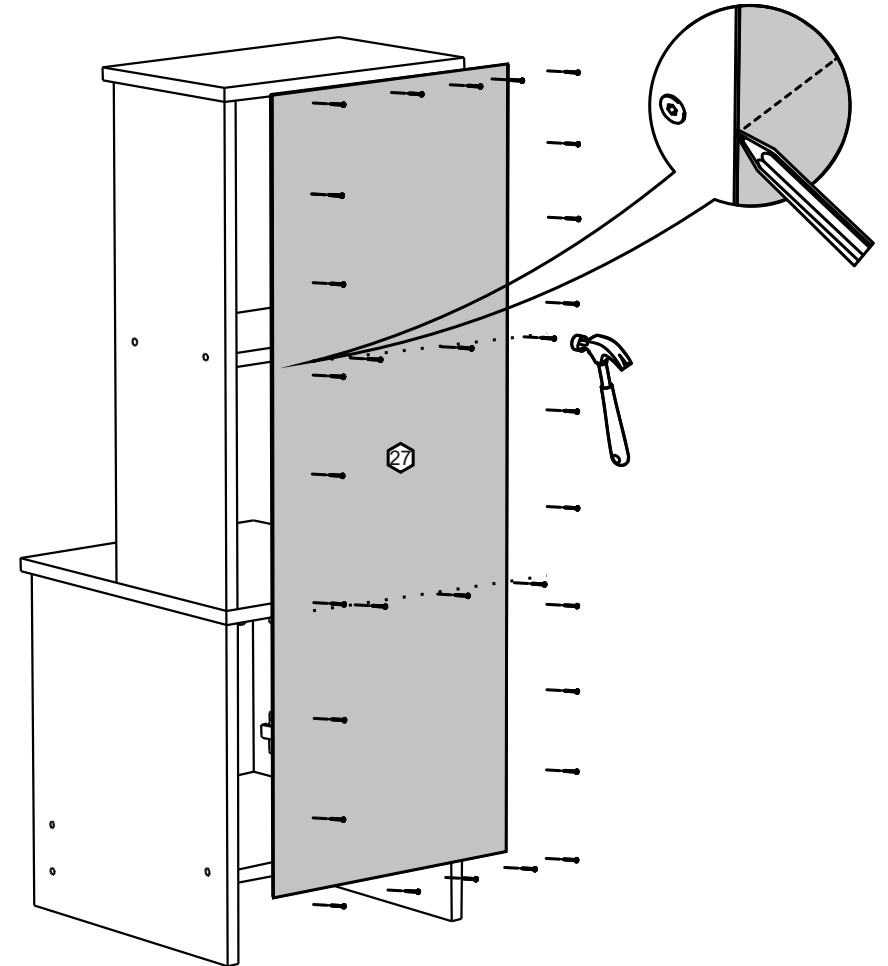
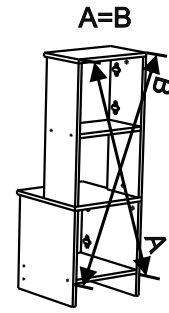
22



21

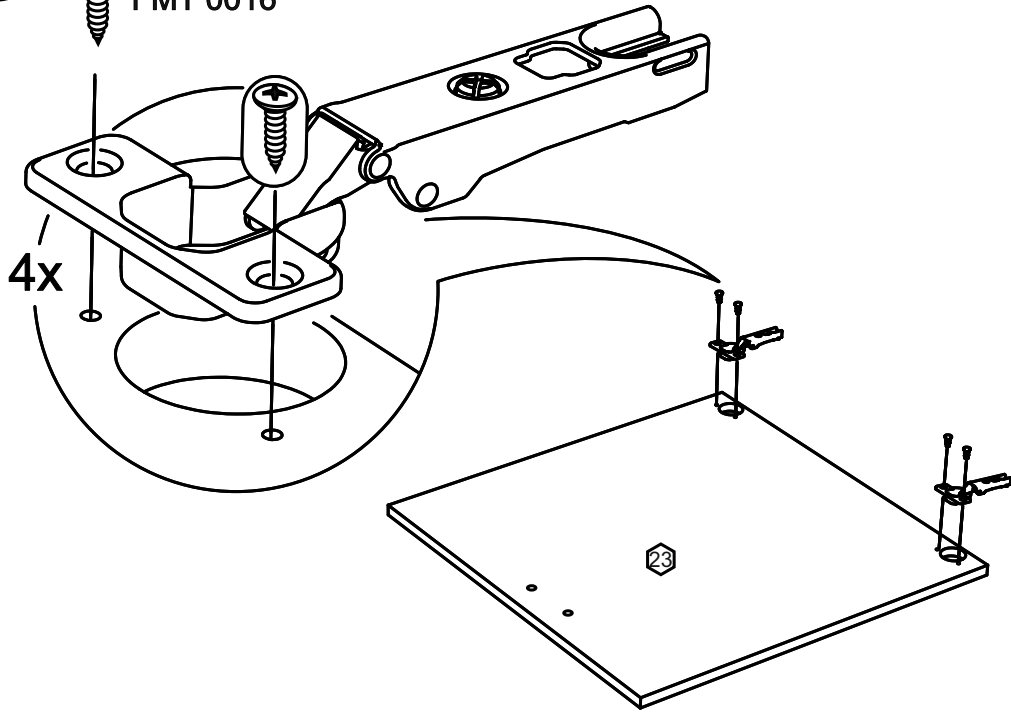


11

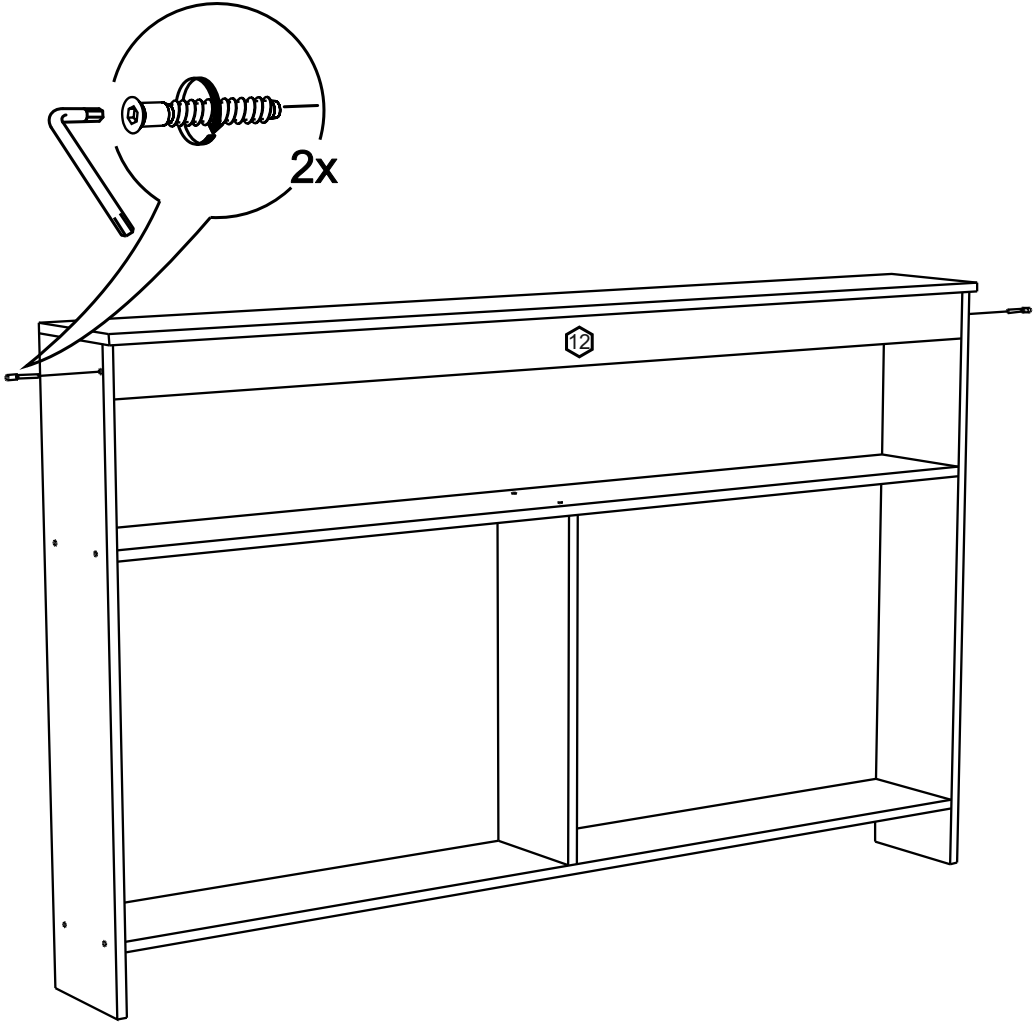


12

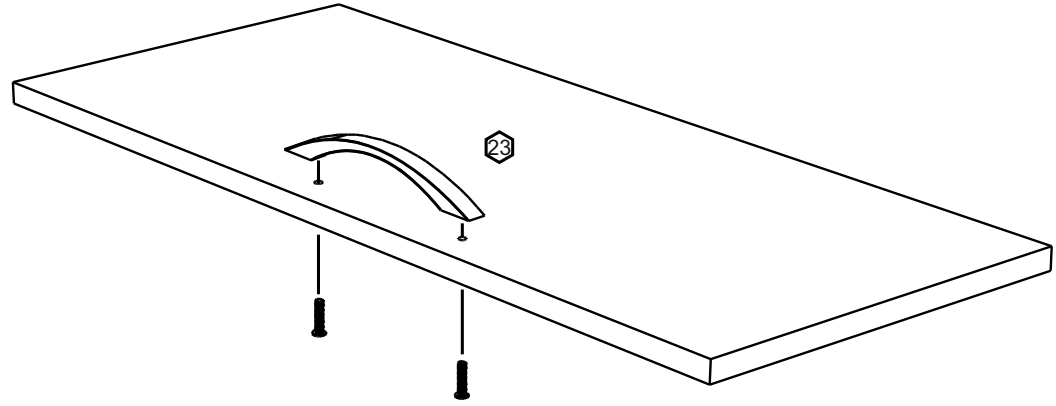
FMT 0016



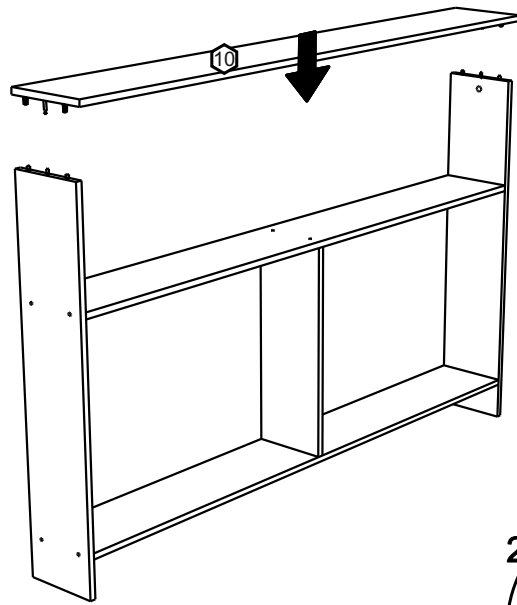
20



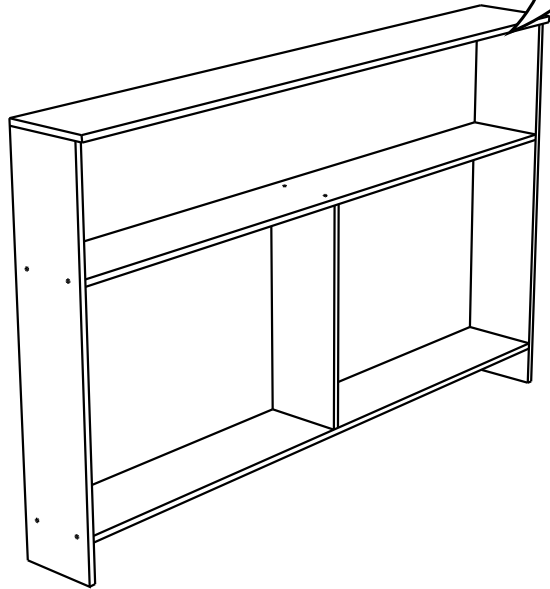
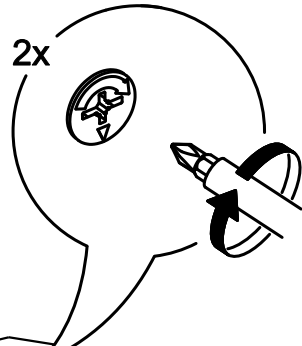
13



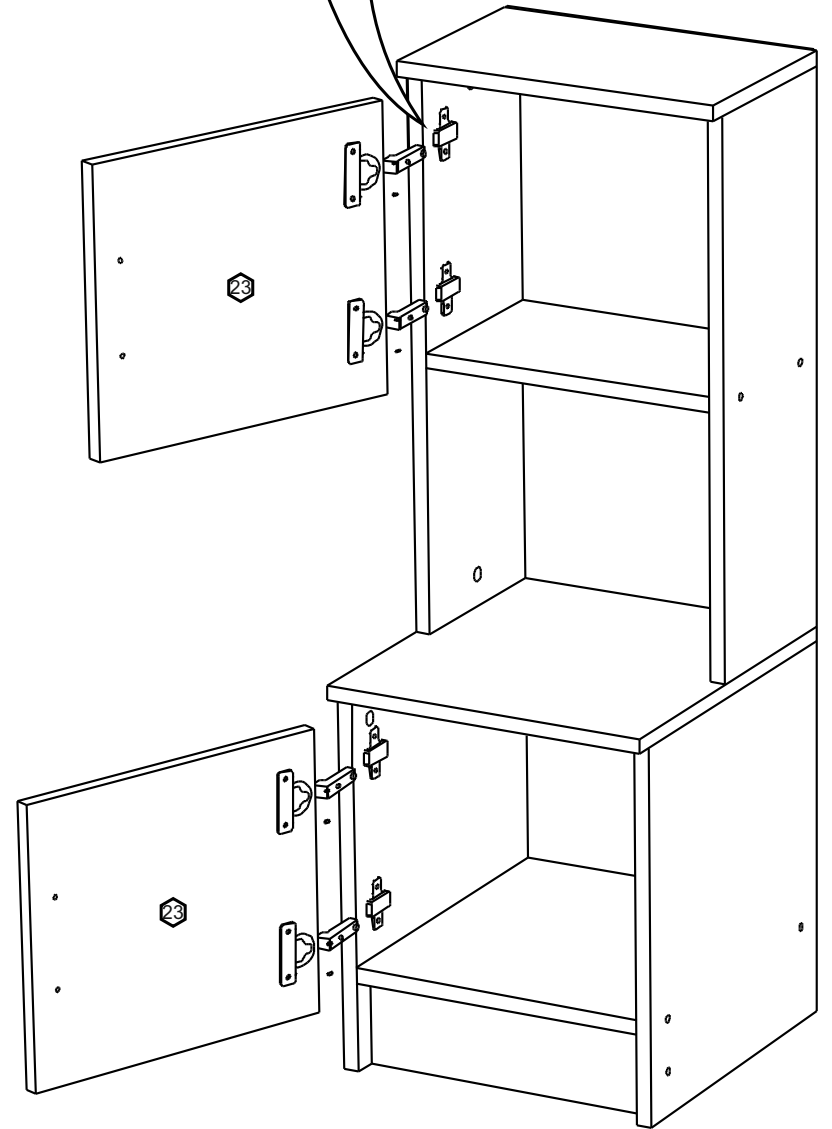
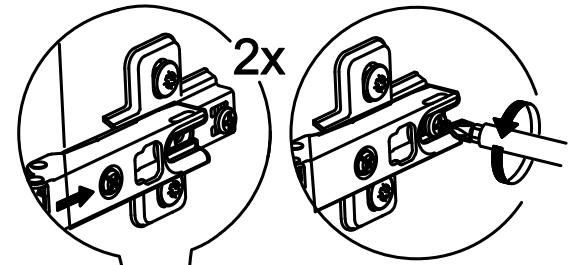
19



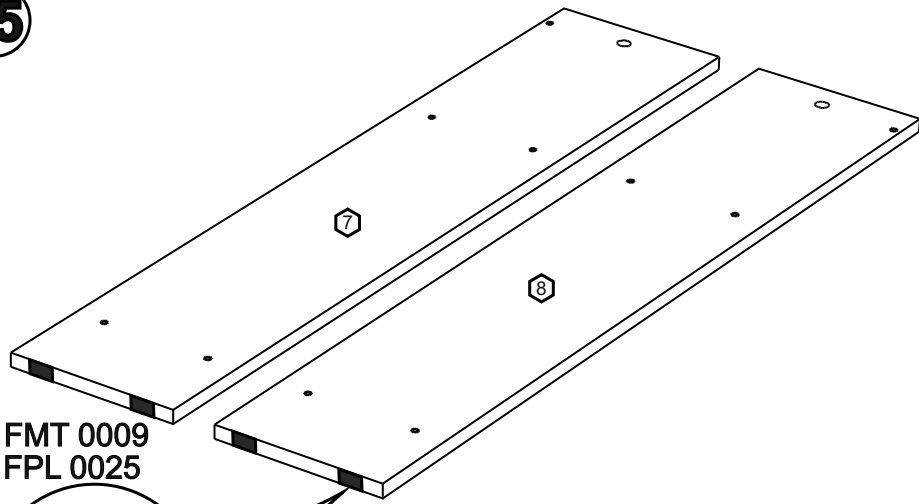
FMT 0030



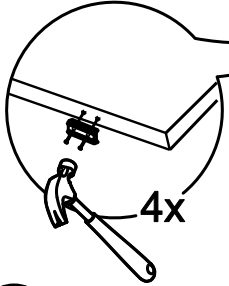
14



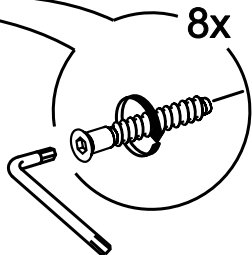
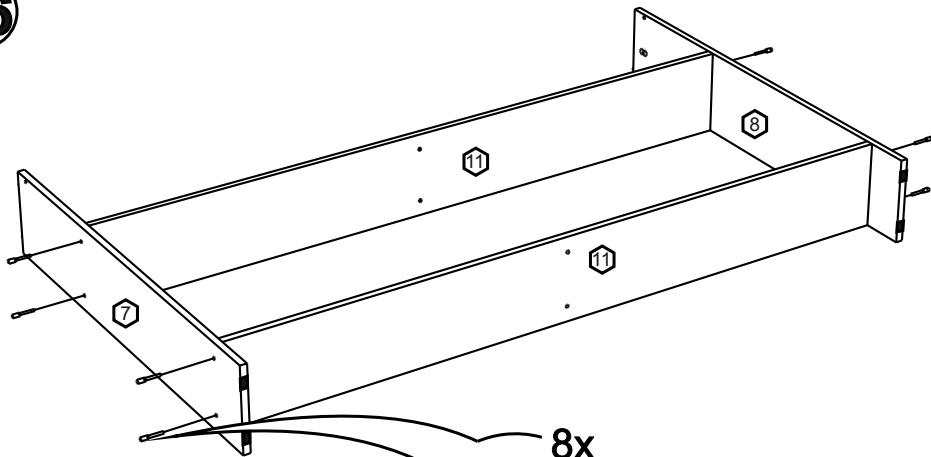
15



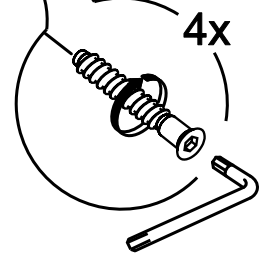
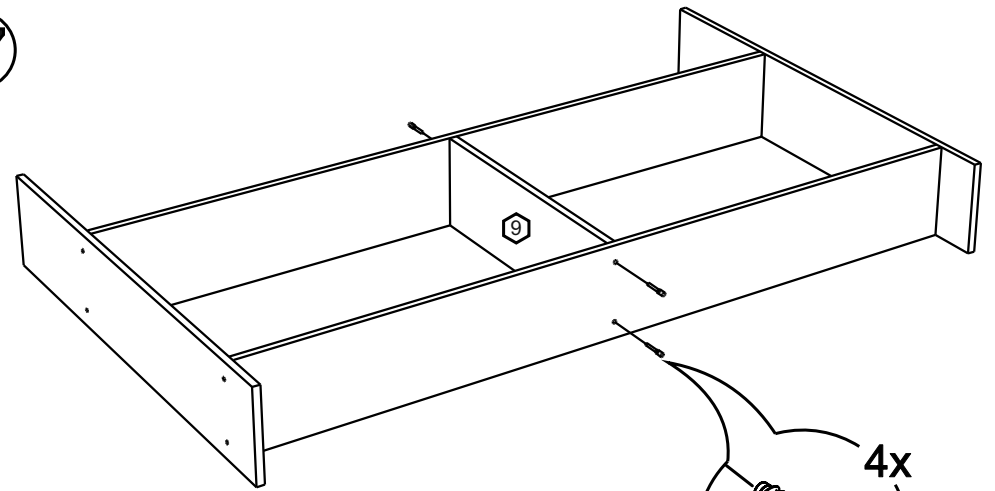
FMT 0009
FPL 0025



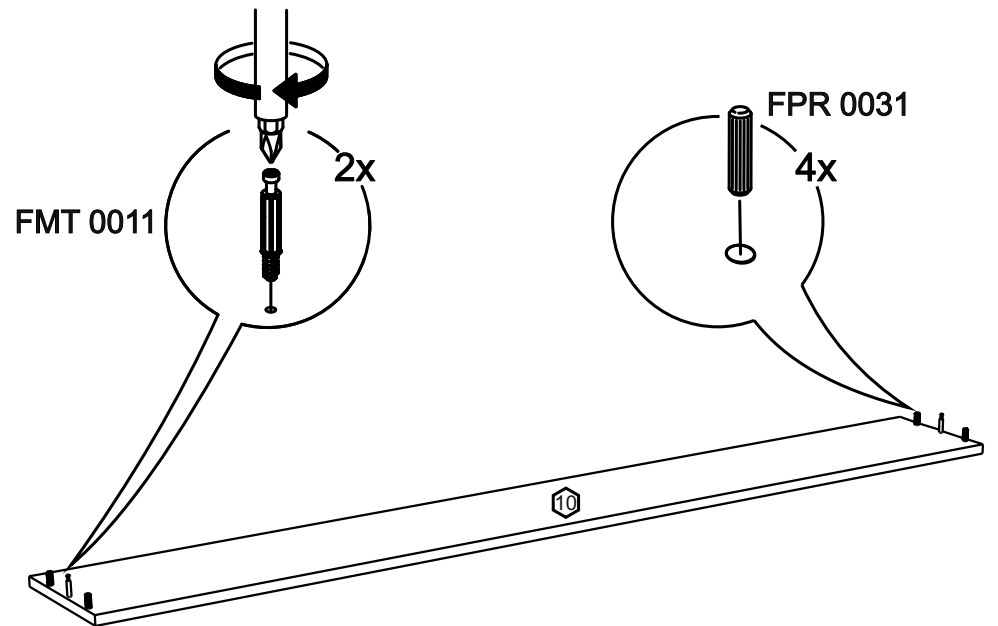
16



17



18



FMT 0011

2x

FPR 0031

4x