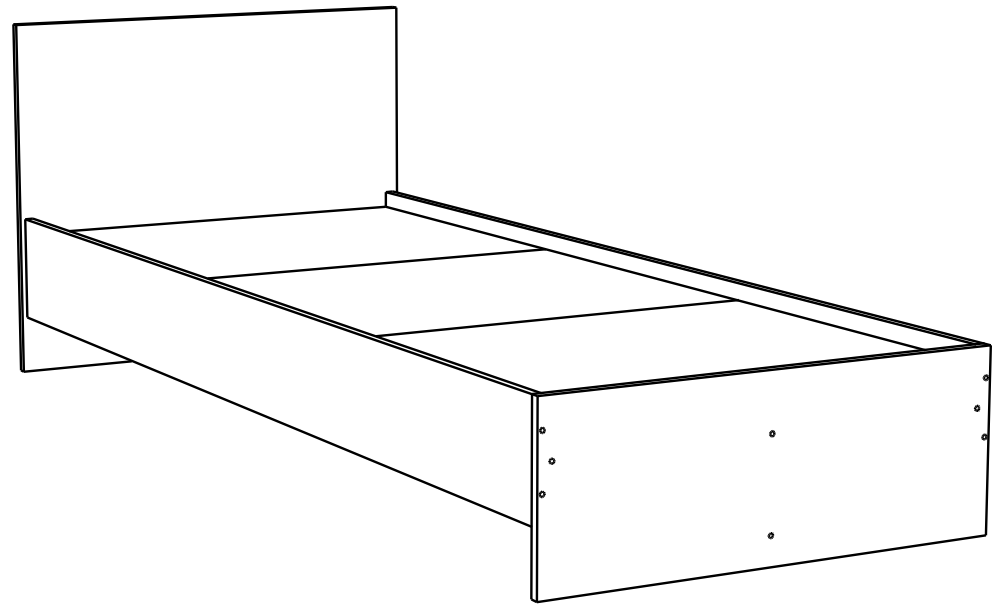
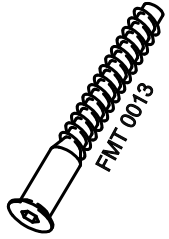


KR554

KR555

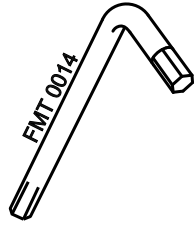




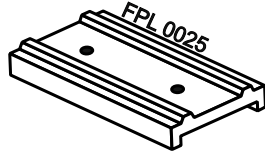
16x



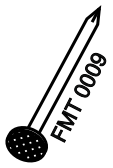
16x



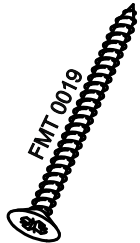
1x



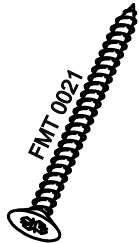
7x



14x

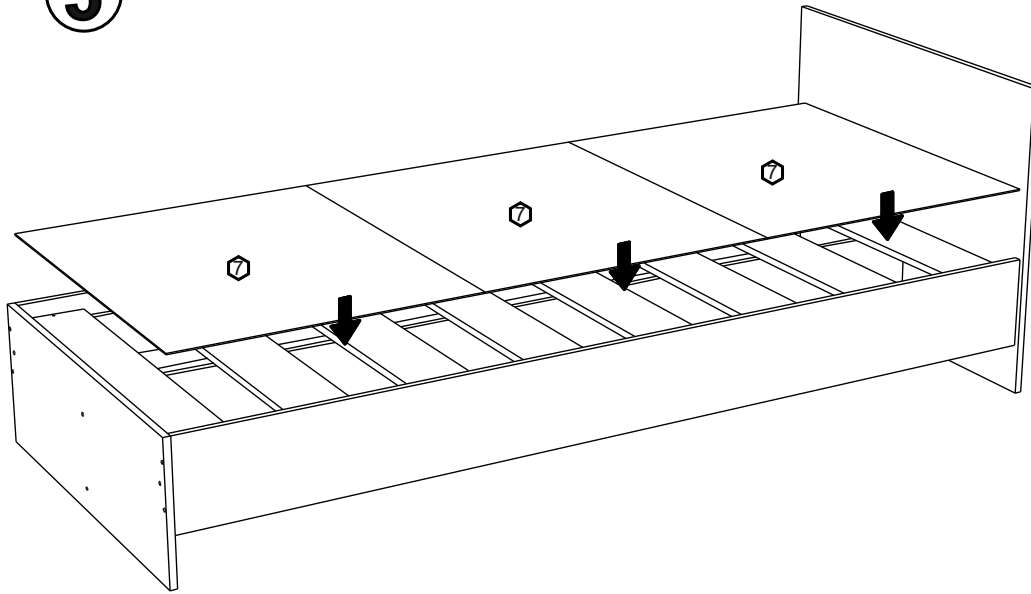


16x



14x

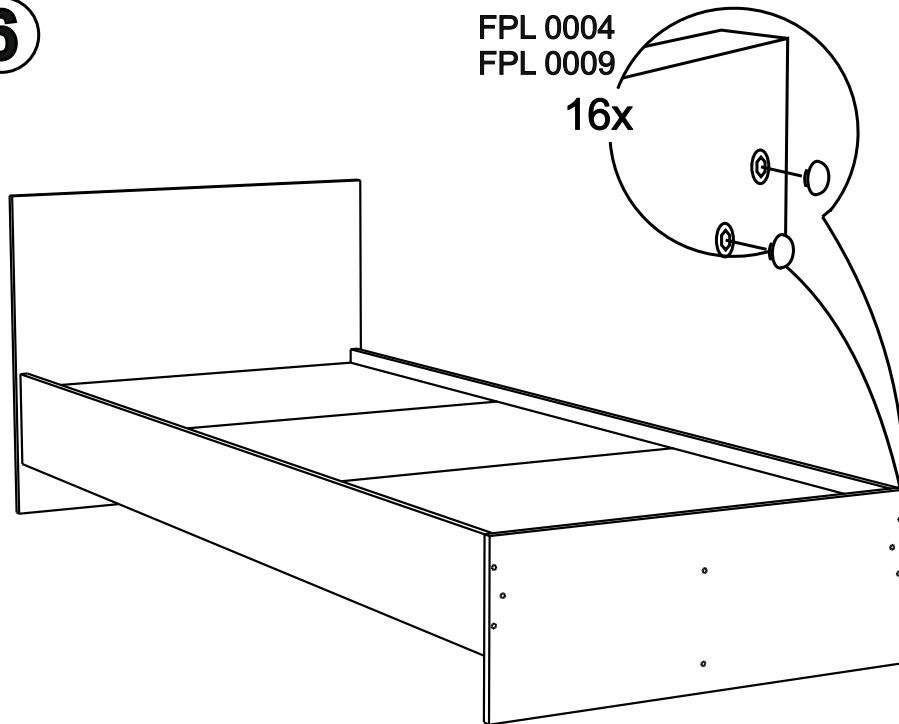
5



KR 554

| No | code | a*b | x |
|----|----------|----------|---|
| 1 | KR554.01 | 852*700 | 1 |
| 2 | KR554.02 | 832*310 | 1 |
| 3 | KR554.03 | 2000*200 | 2 |
| 4 | KR554.04 | 2000*260 | 1 |
| 5 | KR554.05 | 2000*100 | 2 |
| 6 | KR554.06 | 800*140 | 8 |
| 7 | KR554.07 | 800*665 | 3 |

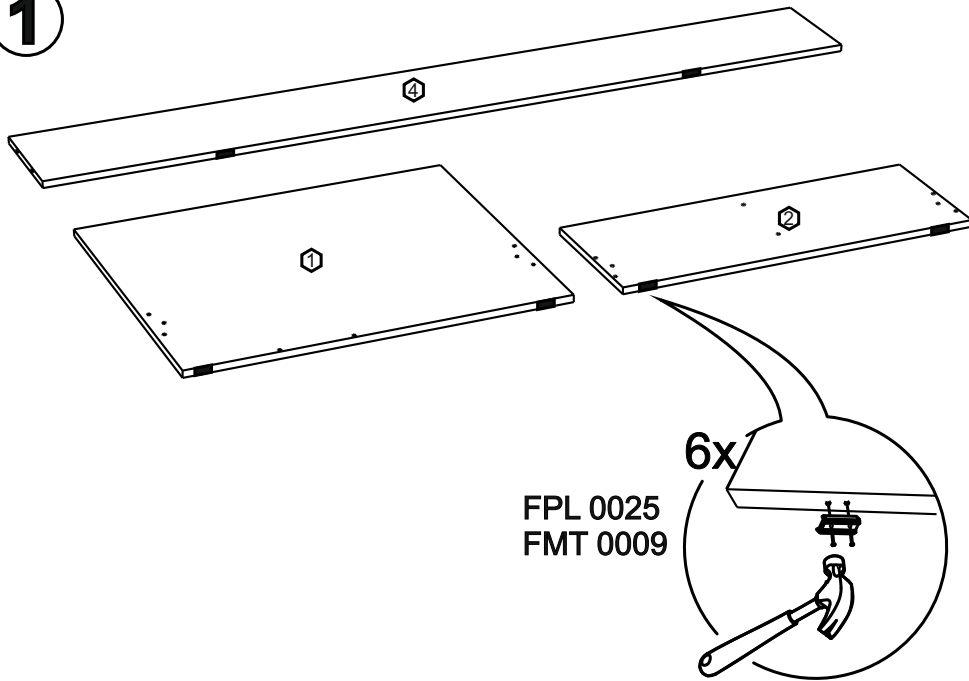
6



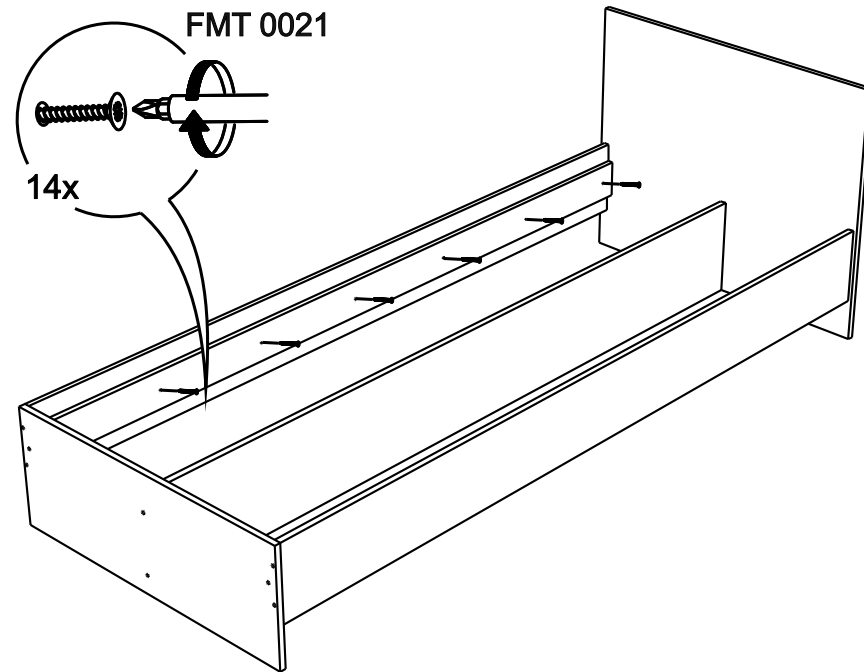
KR 555

| No | code | a*b | x |
|----|----------|----------|---|
| 1 | KR555.01 | 952*700 | 1 |
| 2 | KR555.02 | 932*310 | 1 |
| 3 | KR554.03 | 2000*200 | 2 |
| 4 | KR554.04 | 2000*260 | 1 |
| 5 | KR554.05 | 2000*100 | 2 |
| 6 | KR555.03 | 900*140 | 8 |
| 7 | KR555.04 | 900*665 | 3 |

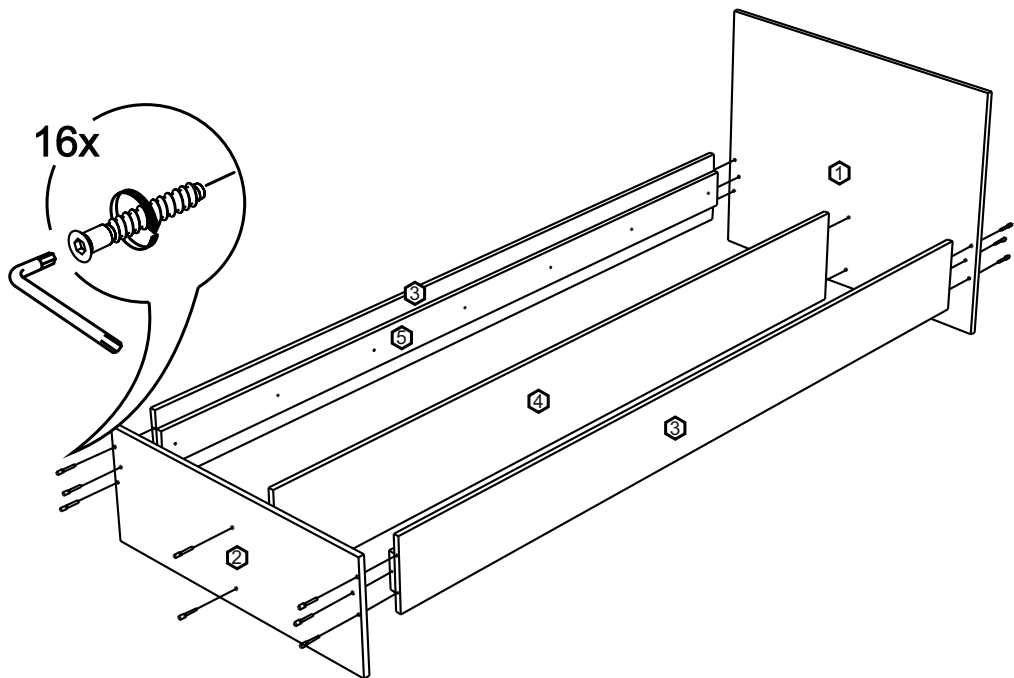
1



3



2



4

