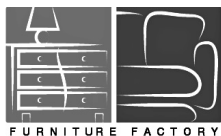
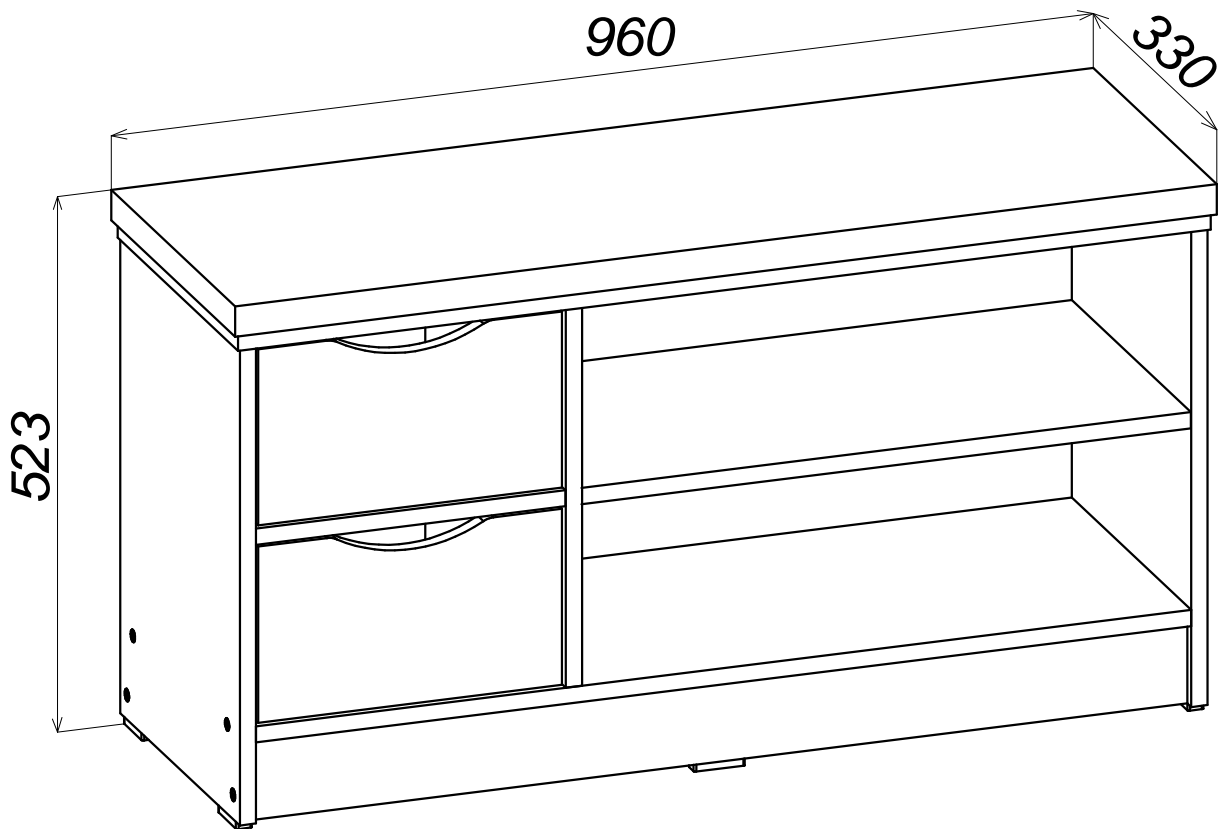


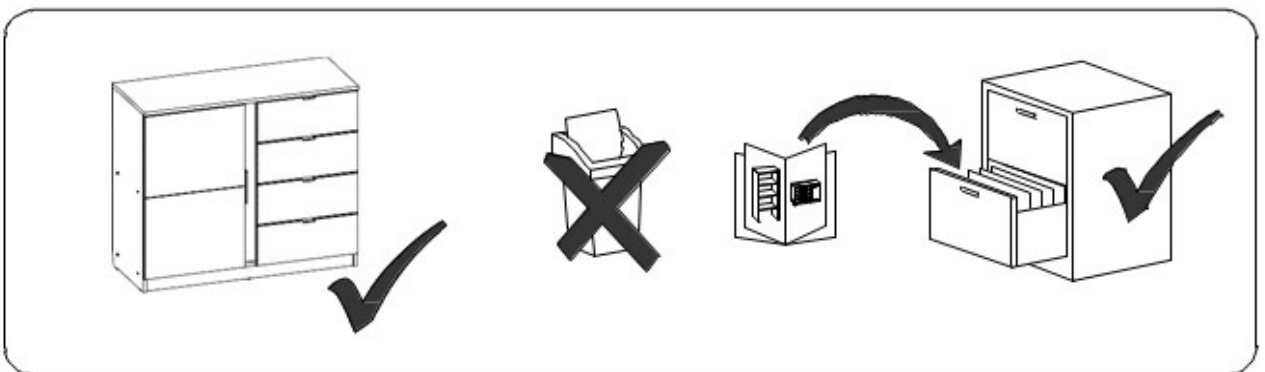
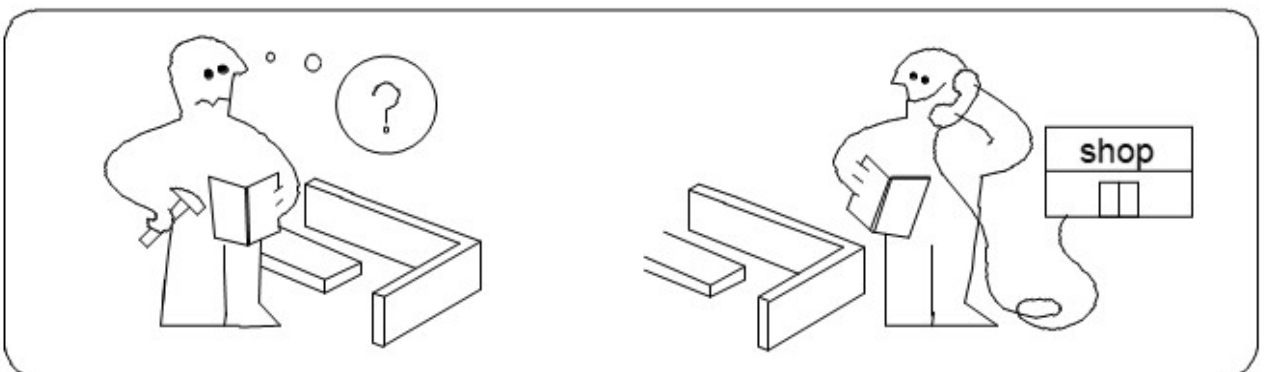
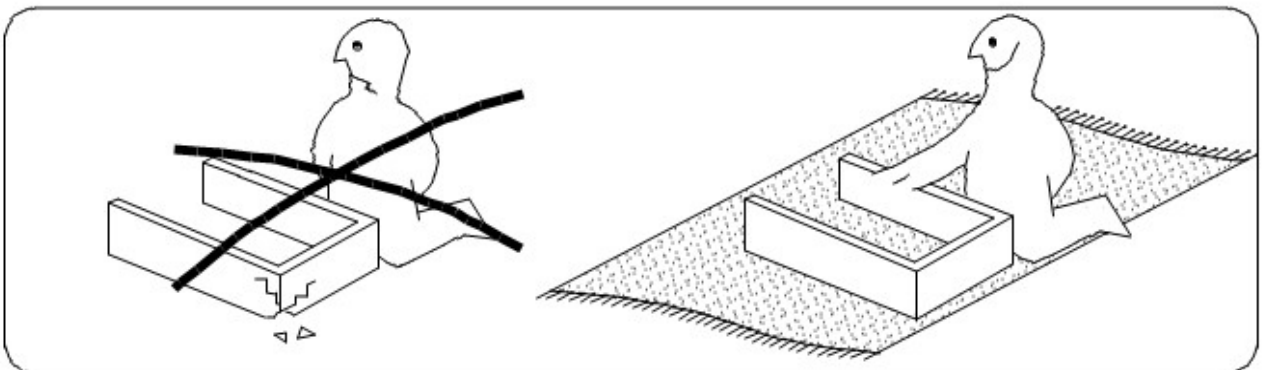
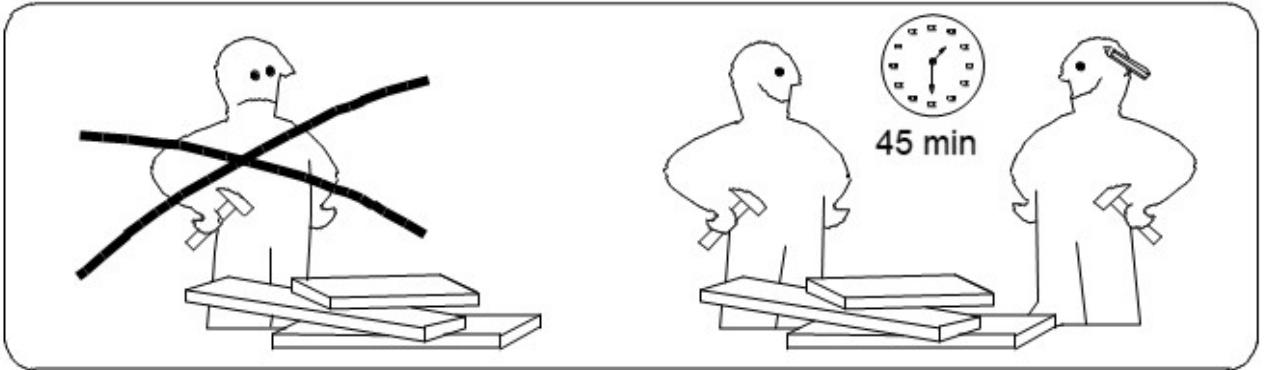
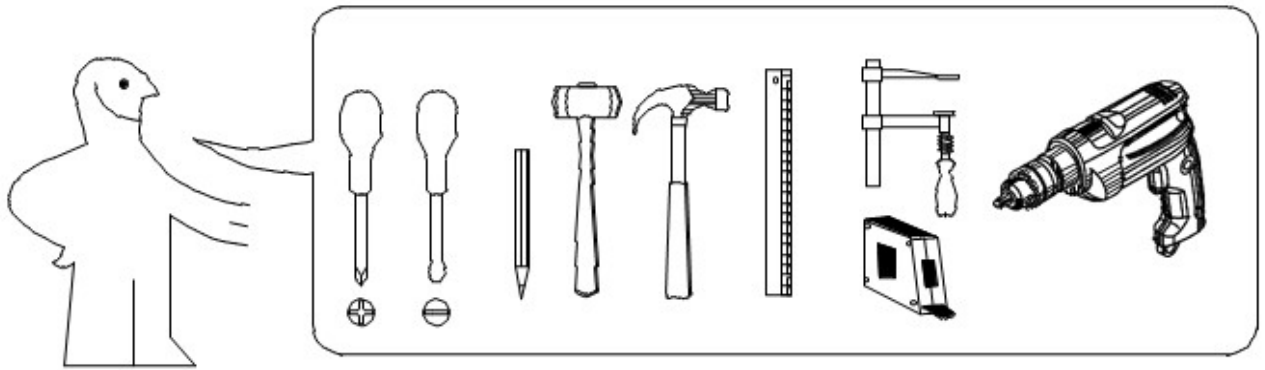
# Lait

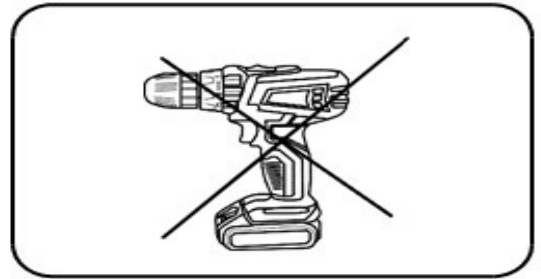
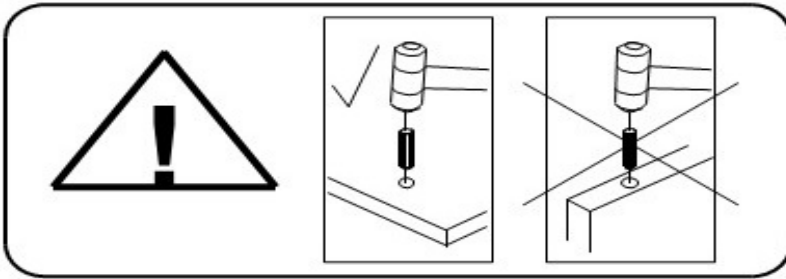
Тумба для взуття 2Ш2П | Тумба для обуви 2Ш2П














Shoe cabinet 2D2S

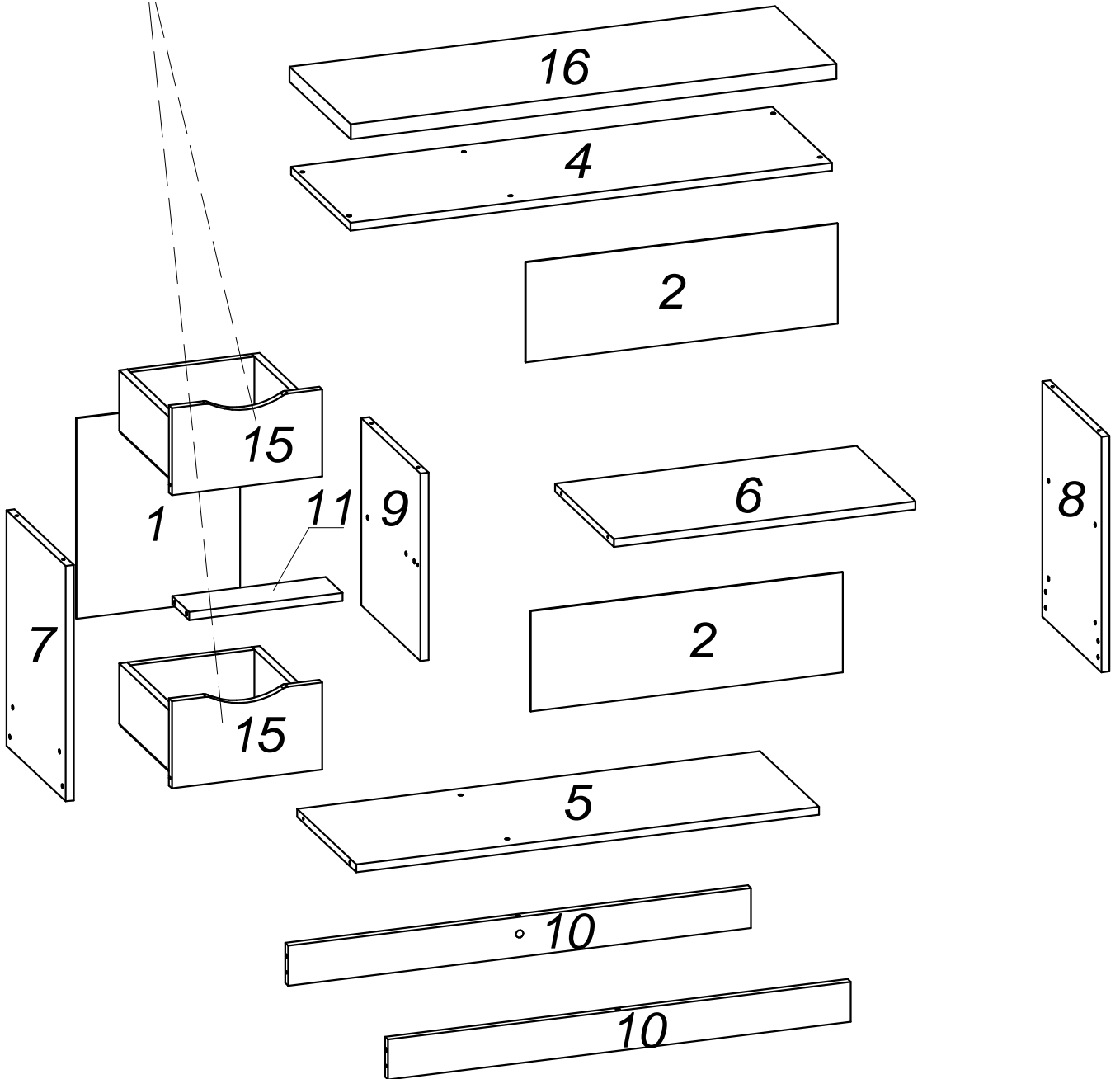
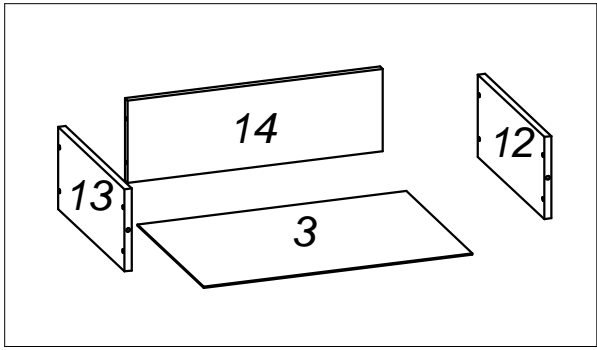


**CMF Group**  
formula of style

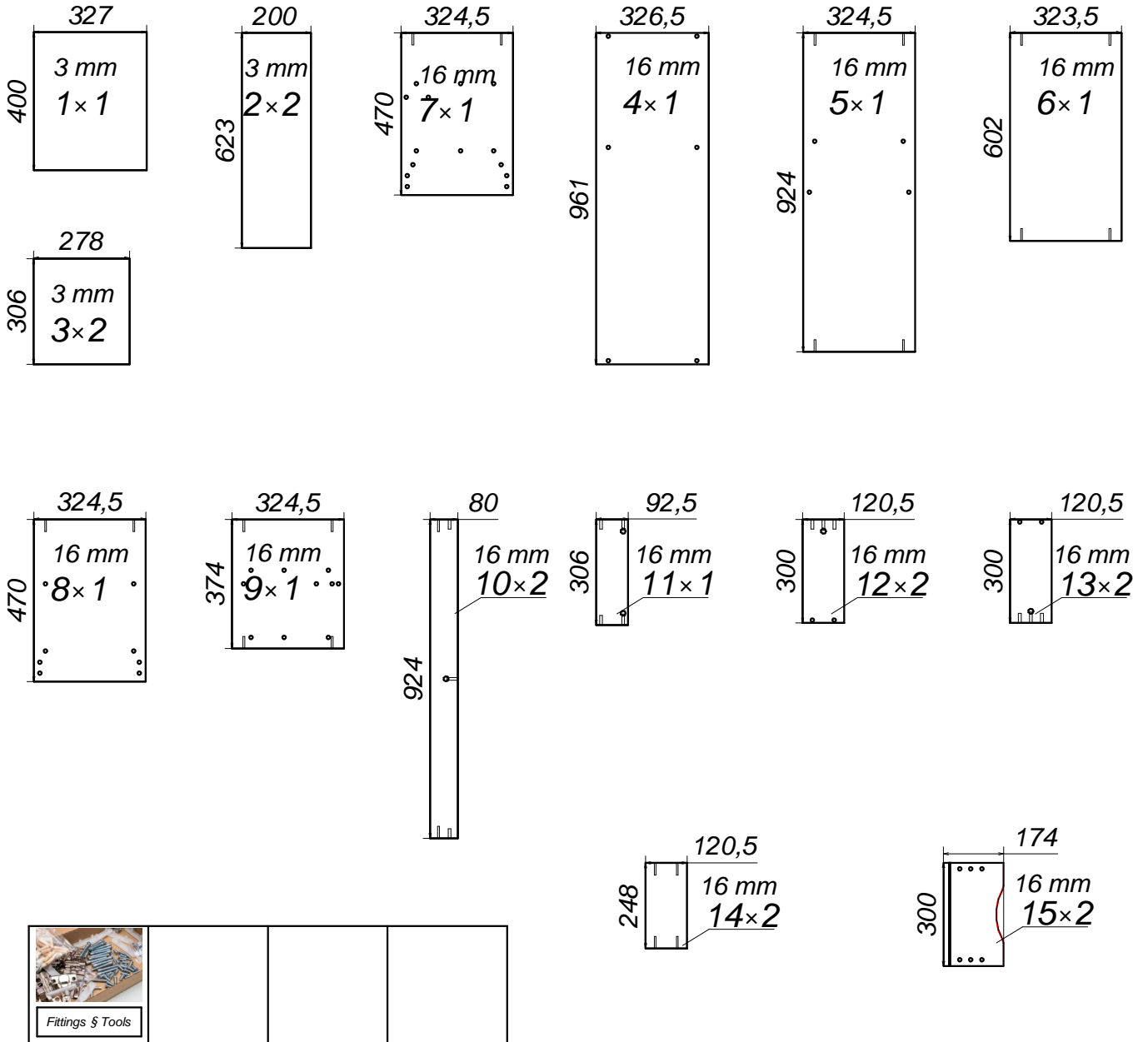




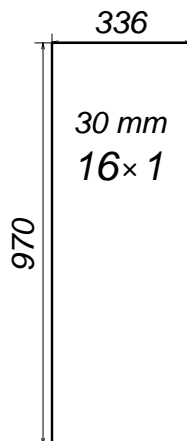
 $\varnothing 6,3 \times 50 \text{ mm}$ <b>A1 x 28</b>	 $\varnothing 12 \text{ mm}$ <b>A2 x 28</b>	 4 mm <b>A3 x 1</b>	 $\varnothing 15 \times 12 \text{ mm}$ <b>B1 x 8</b>	 $\varnothing 5 \times 44 \text{ mm}$ <b>B2 x 8</b>
 $\varnothing 20 \text{ mm}$ <b>B3 x 8</b>	 $\varnothing 4 \times 16 \text{ mm}$ <b>D1 x 24</b>	 $\varnothing 3 \times 16 \text{ mm}$ <b>D2 x 12</b>	 $\varnothing 3 \times 25 \text{ mm}$ <b>D2 x 9</b>	 19x14 mm <b>C x 9</b>
 $\varnothing 8 \times 36 \text{ mm}$ <b>G x 14</b>	 $\varnothing 1,6 \times 25 \text{ mm}$ <b>F x 74</b>	 300 mm <b>K x 2</b>	 h 7 mm <b>N x 6</b>	



# Box 1



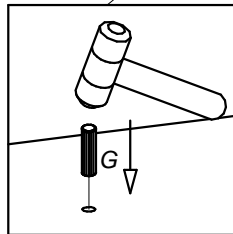
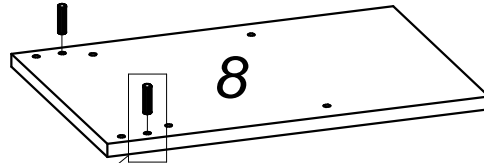
# Box 2



1



∅8x36 mm  
G x 2



2



∅5x44 mm  
B2 x 2



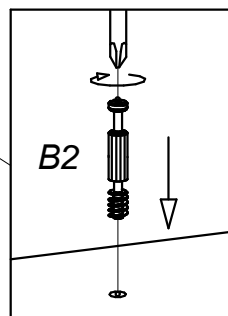
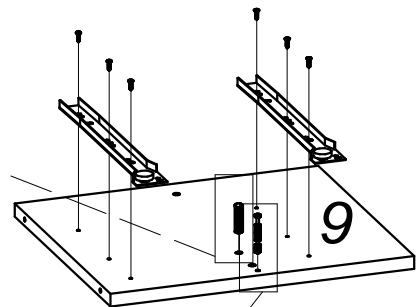
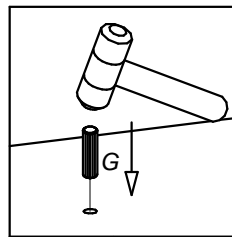
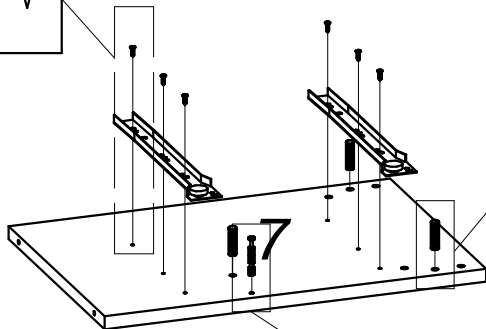
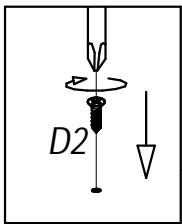
∅3x16 mm  
D2 x 12



∅8x36 mm  
G x 4



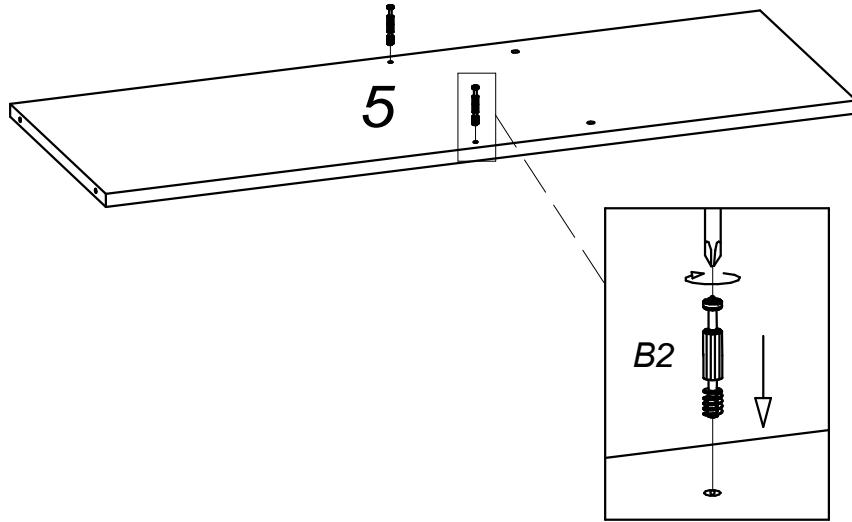
300 mm  
K x 2



3



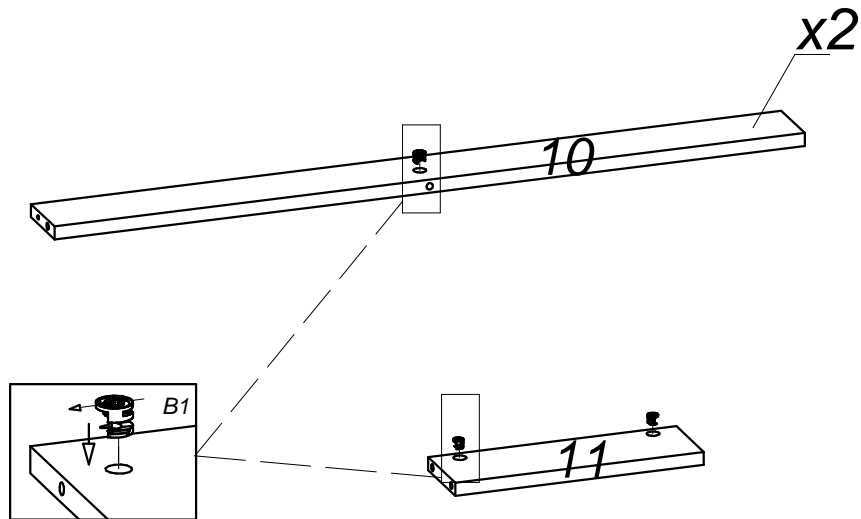
∅5x44 mm  
B2 x 2






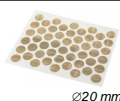
4

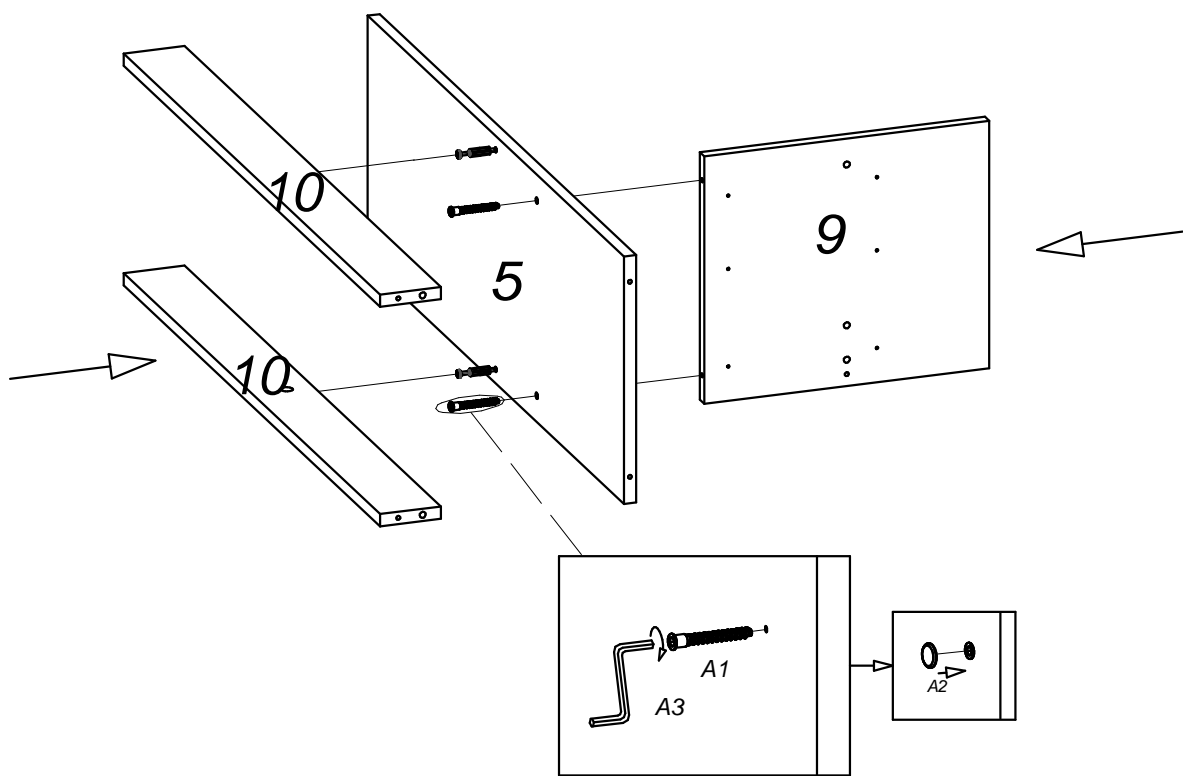


∅15x12 mm  
B1 x 4






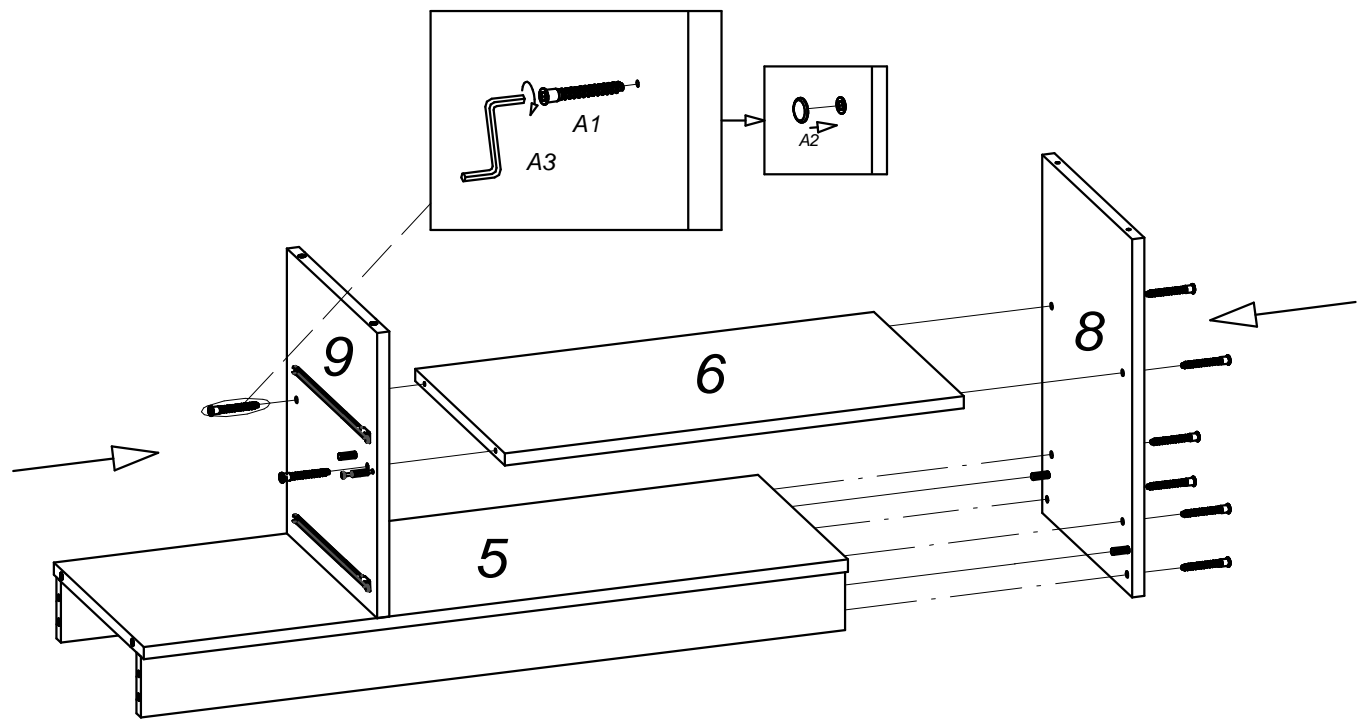
5

 ∅6,3x50 mm A1 x 2	 ∅12 mm A2 x 2	 4 mm A3 x 1	 ∅20 mm B3 x 2						
---	---	---	---	--	--	--	--	--	--







6

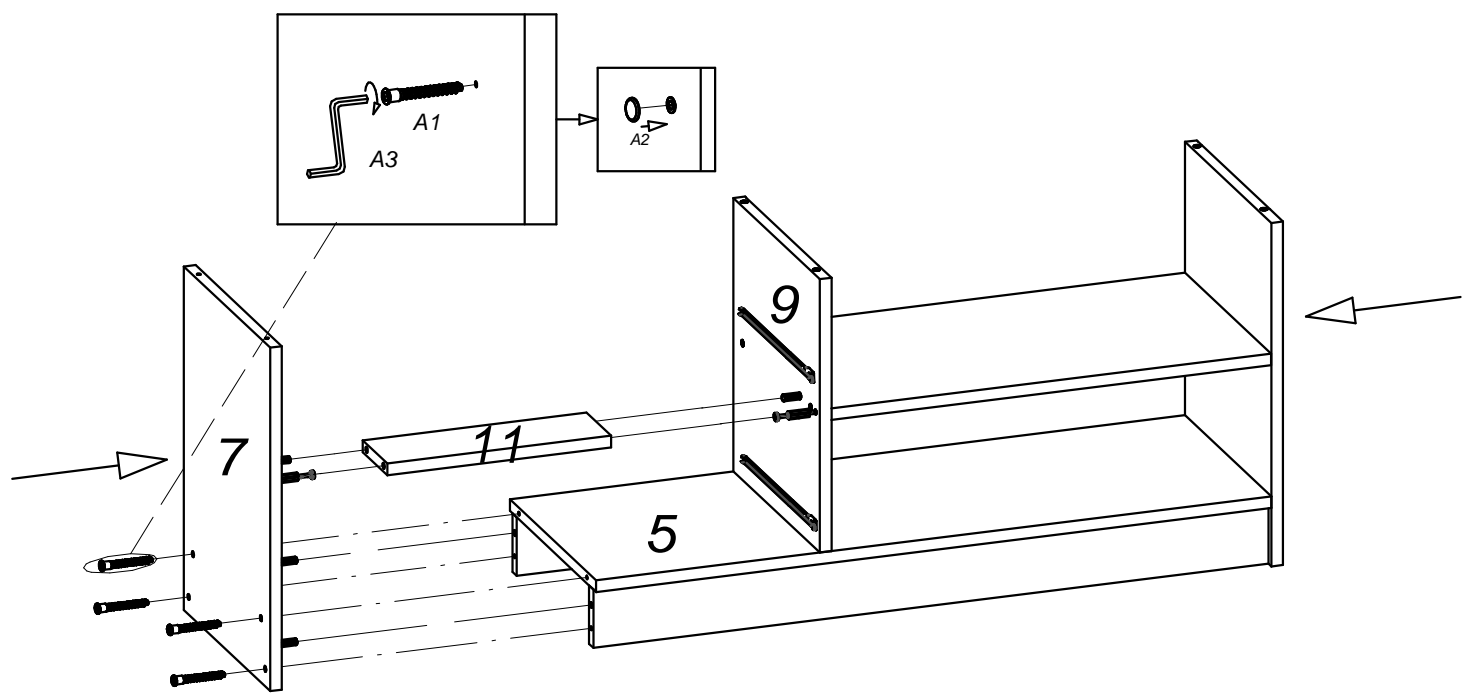
 ∅6,3x50 mm A1 x 8	 ∅12 mm A2 x 8	 4 mm A3 x 1							
---	---	---	--	--	--	--	--	--	--








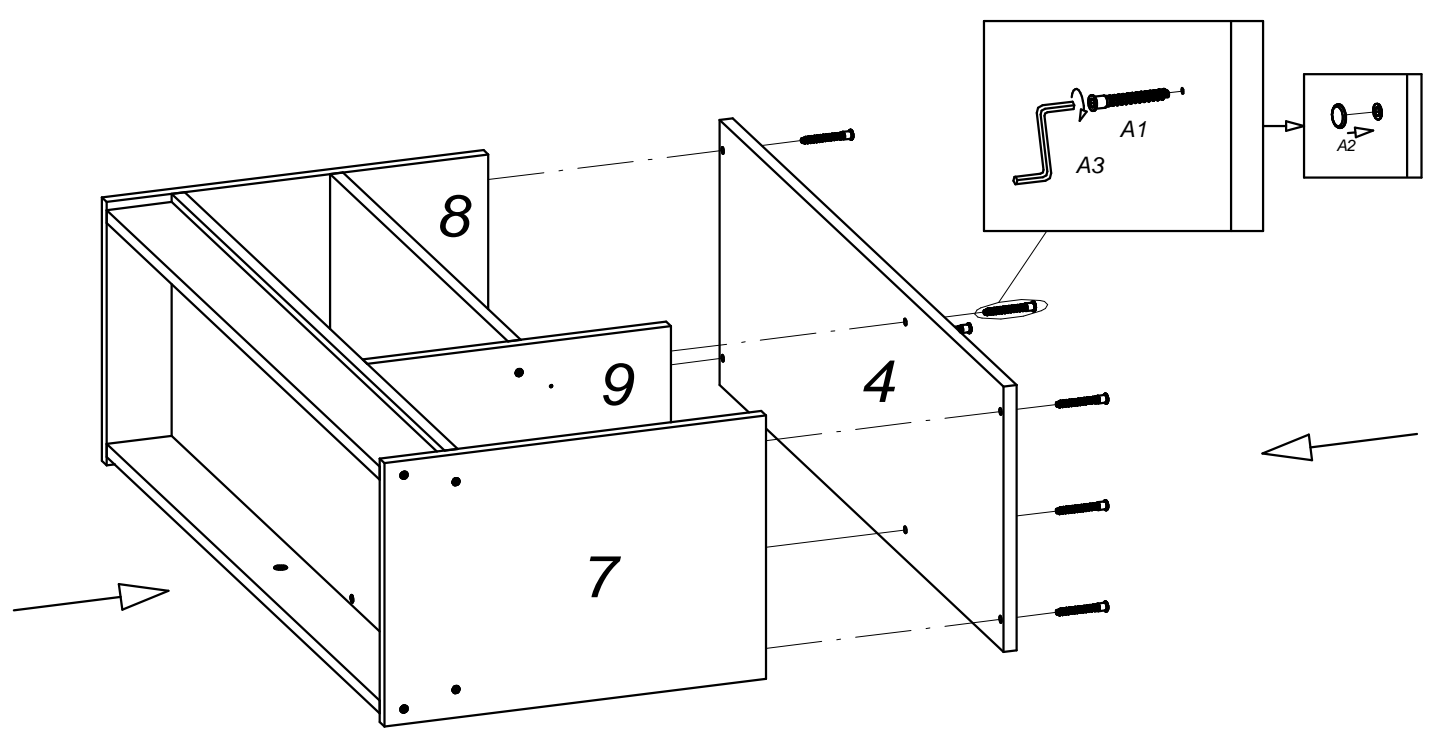
7

 ∅6,3x50 mm A1 x 4	 ∅12 mm A2 x 4	 4 mm A3 x 1	 ∅20 mm B3 x 2						
--	--	--	--	--	--	--	--	--	--



8

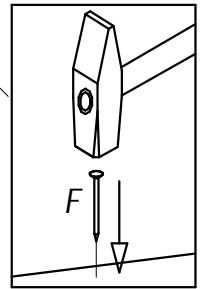
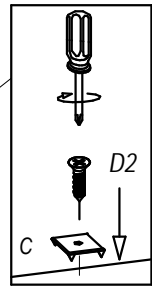
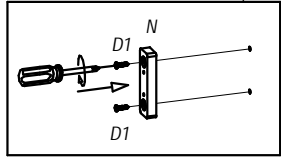
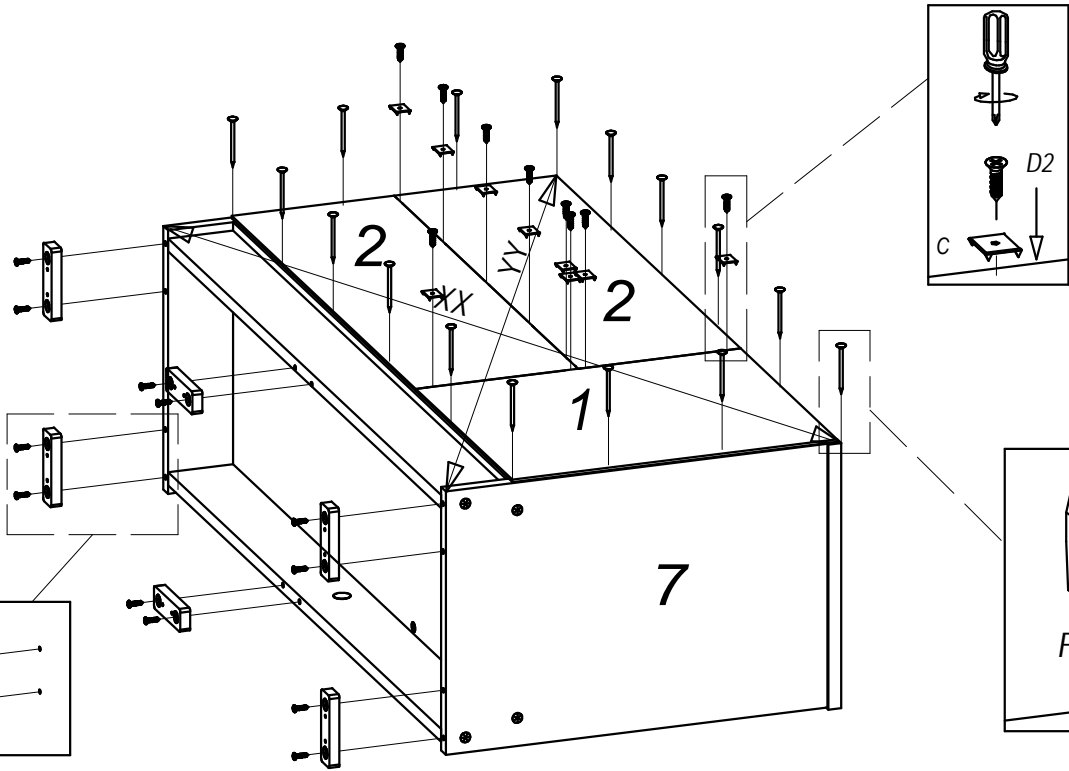
 ∅6,3x50 mm A1 x 6	 ∅12 mm A2 x 6	 4 mm A3 x 1							
---	---	---	--	--	--	--	--	--	--



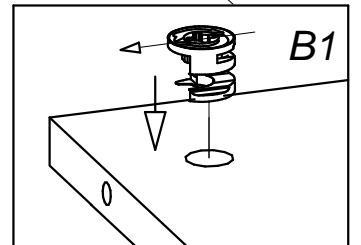
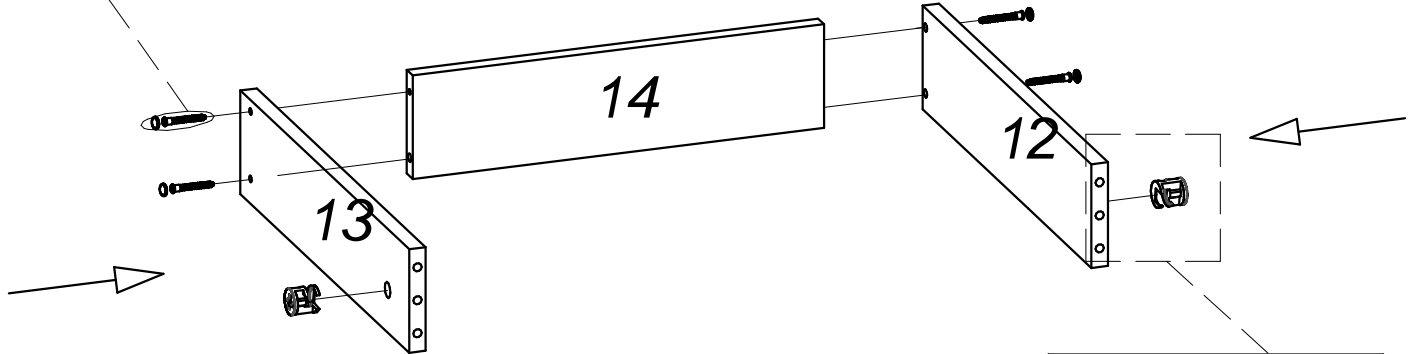
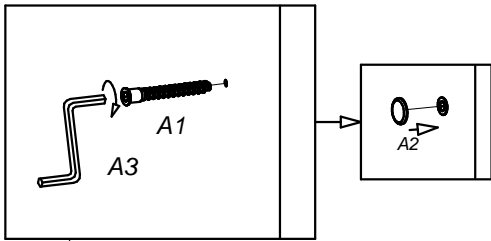
9



$XX=YY=90^\circ$

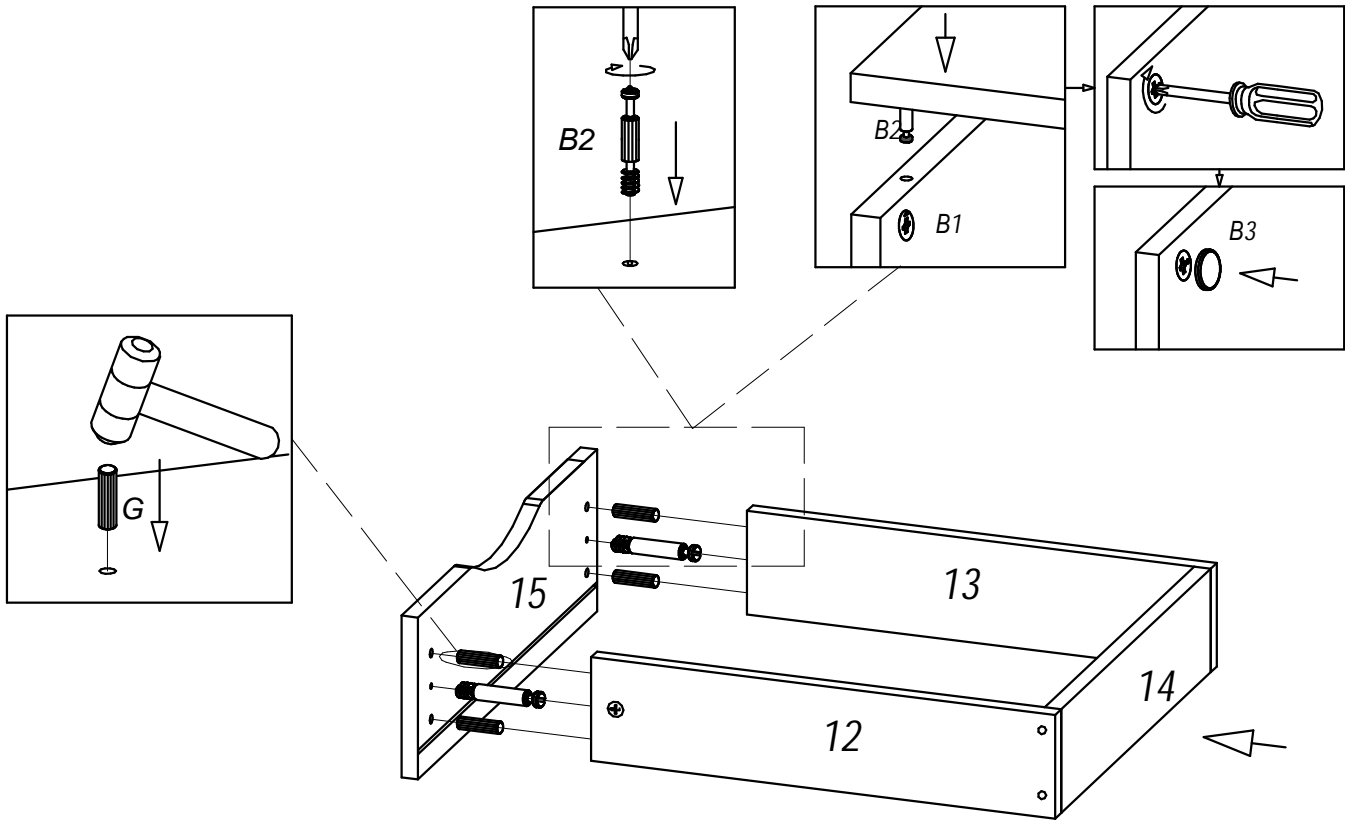
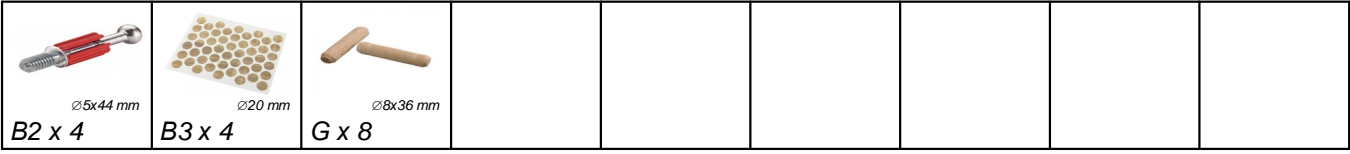


10



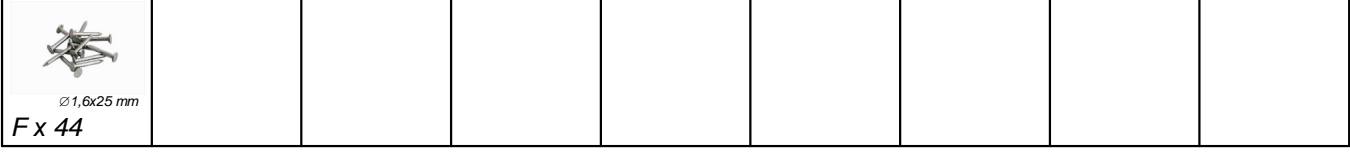
x 2

11

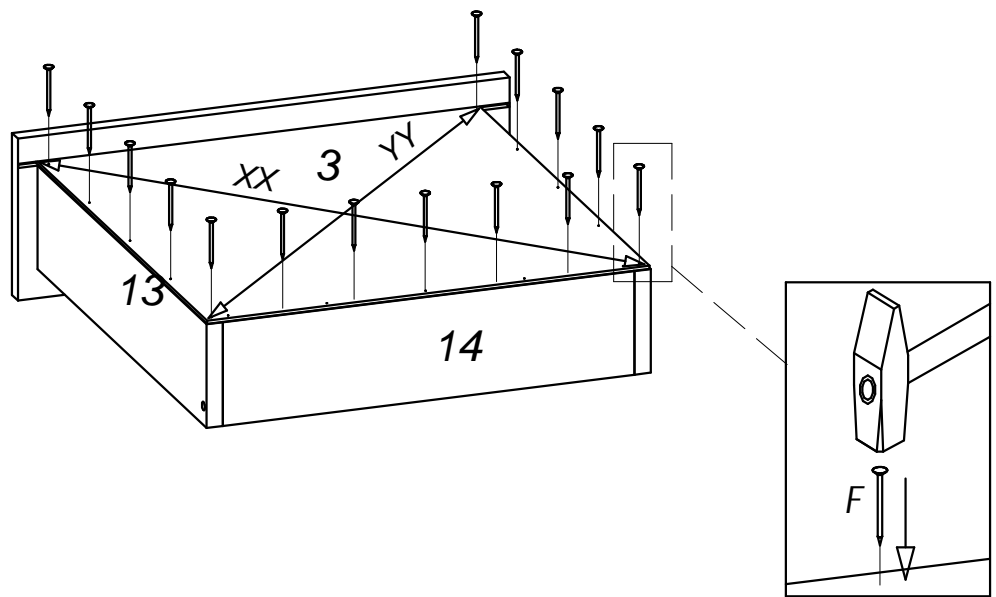


x 2

12

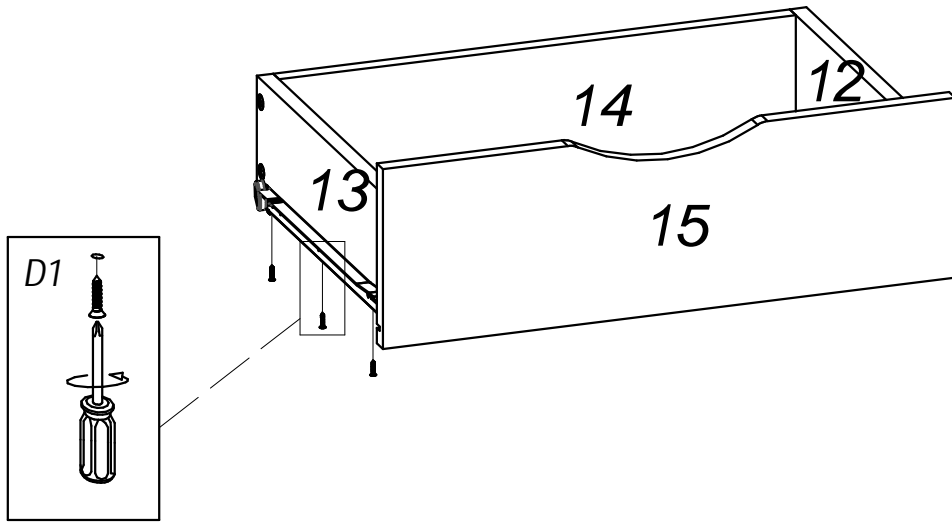


$XX=YY=90^\circ$



x 2

13



x 2

14

