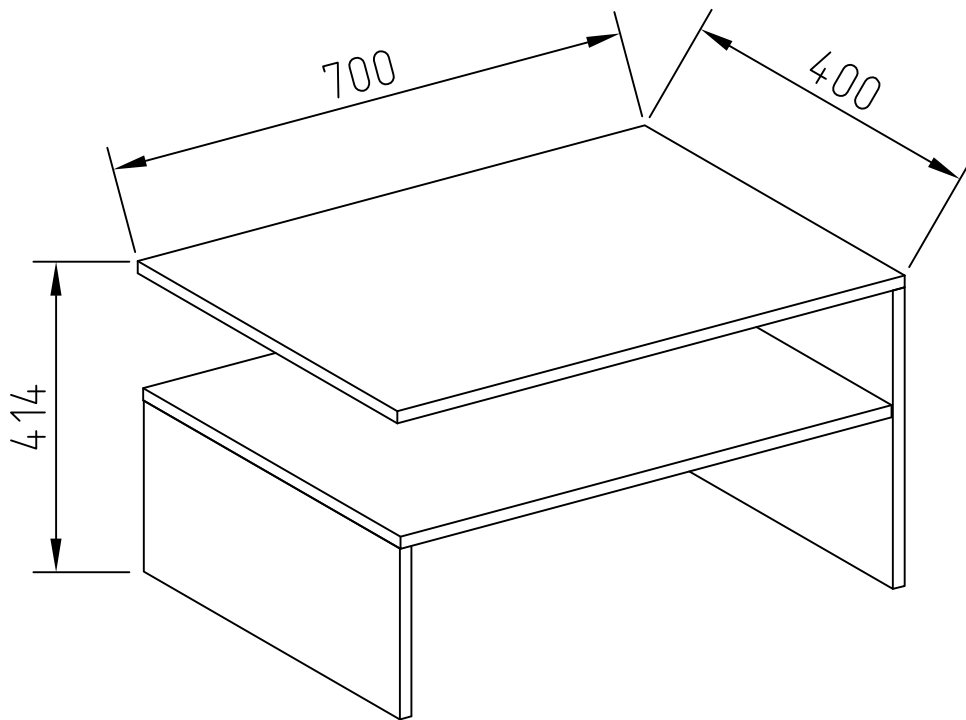
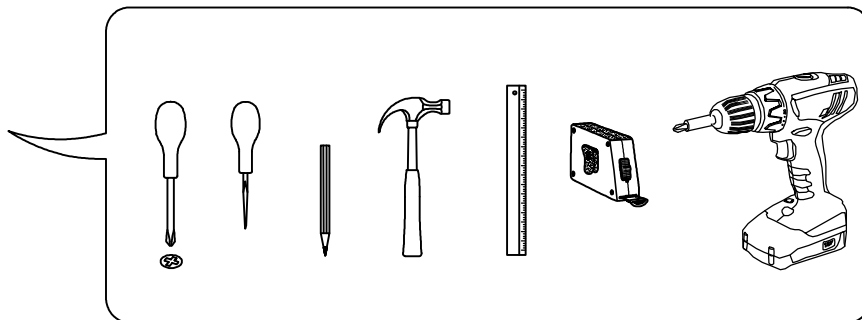
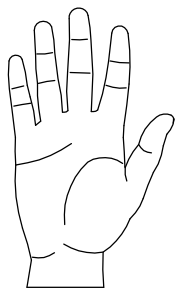
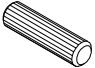

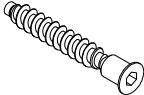
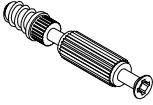



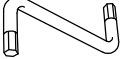


# Light coffee table

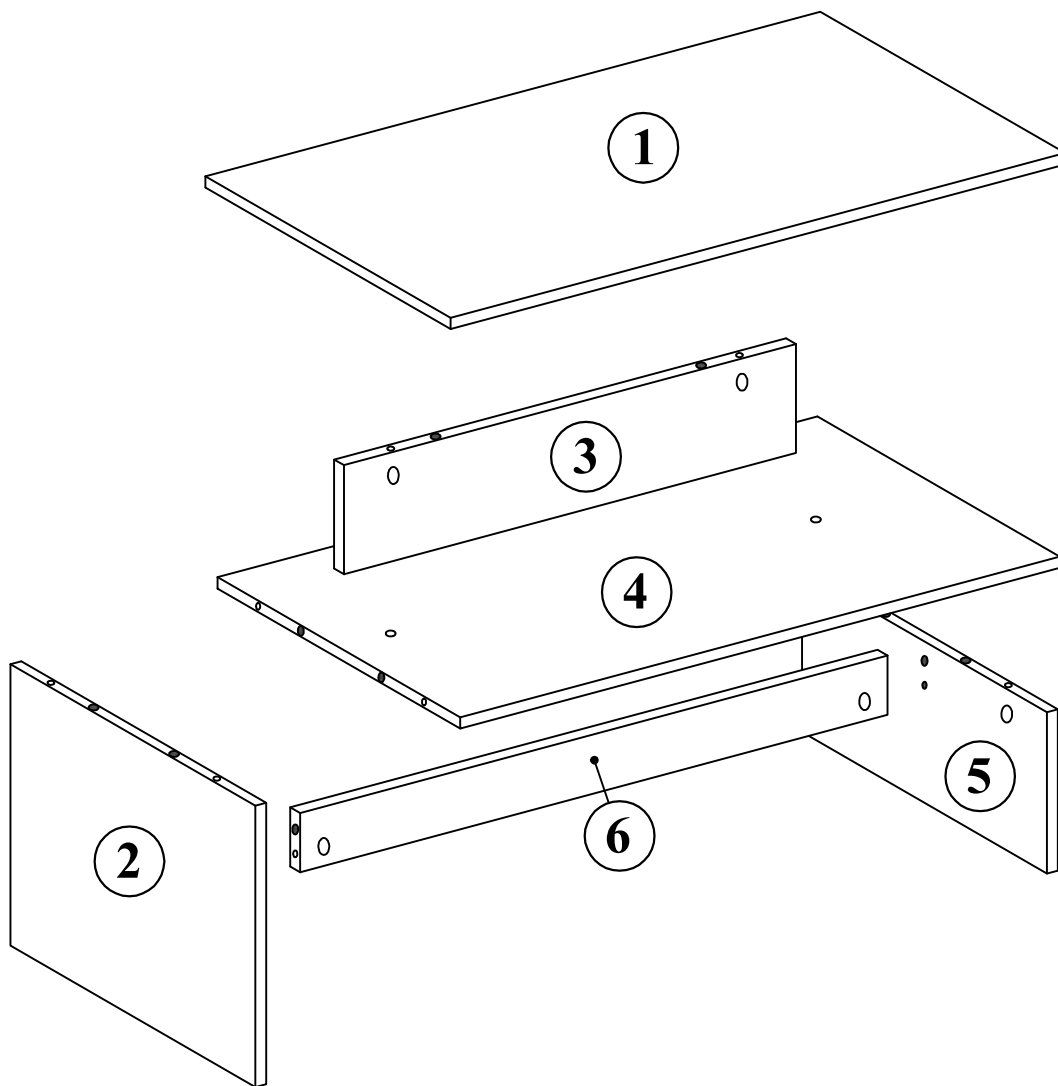


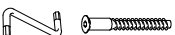
# Light coffee table



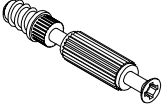

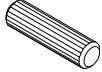
 <b>A1</b> 8*30mm x10	 <b>B</b> $\phi$ 12mm x16	 <b>B1</b> 6,3*50mm x2
 <b>C1</b> 6*43mm x10	 <b>D</b> $\phi$ 20mm x10	 <b>D1</b> 15/16 x10
 <b>K1</b> x4	 <b>R4</b> N°4 x1	

# Light coffee table

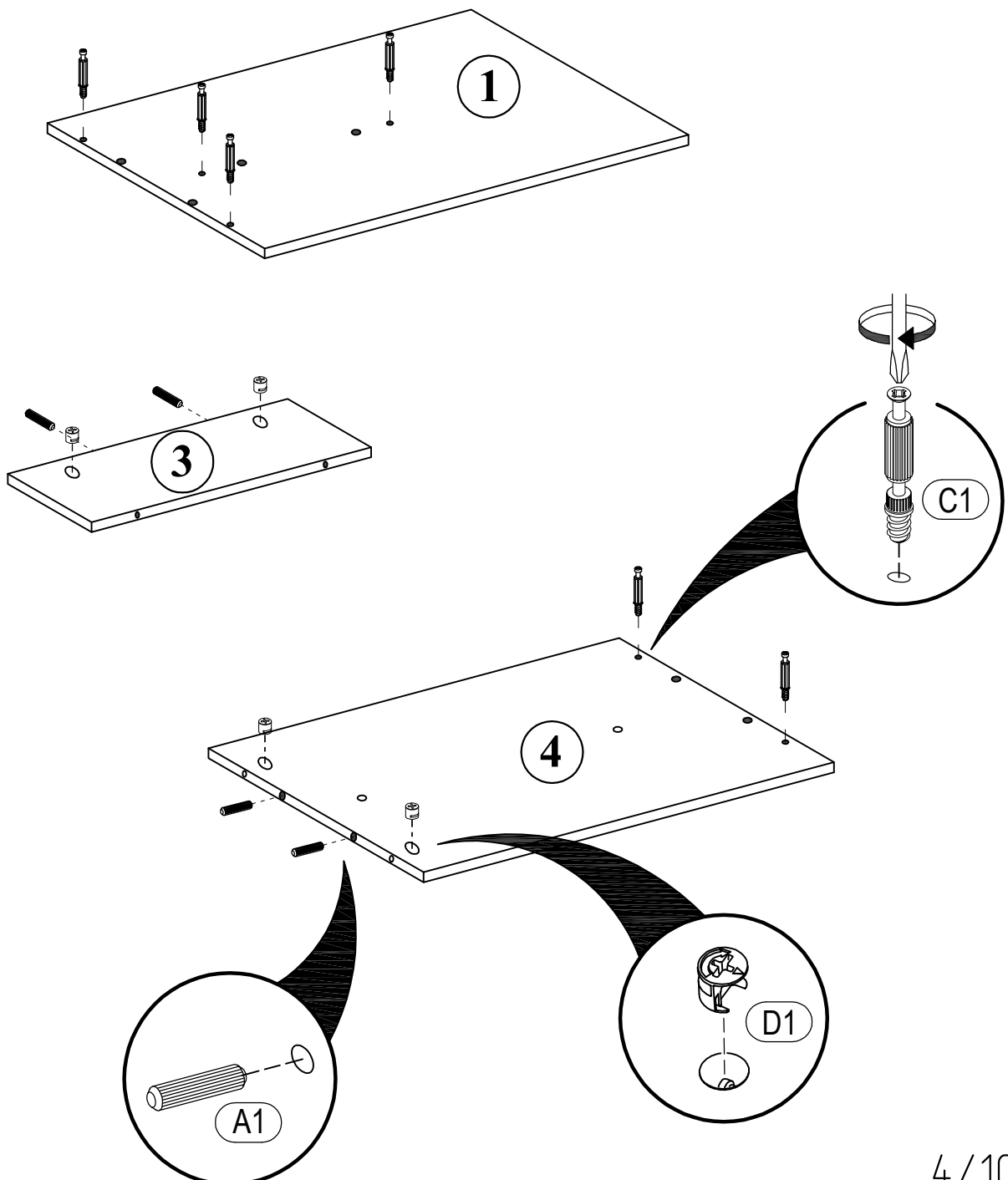


No	a*b	x	N°→...
1	700x400	x1	1/1
2	398x398	x1	1/1
3	154x462	x1	1/1
4	678x396	x1	1/1
5	228x394	x1	1/1
6	660x84	x1	1/1
		x1	1/1

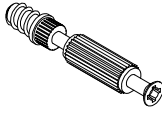

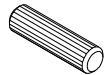
# Light coffee table

 C1 6*43mm x7	 D1 15/16 x5	 A1 8*30mm x4
---	--	---

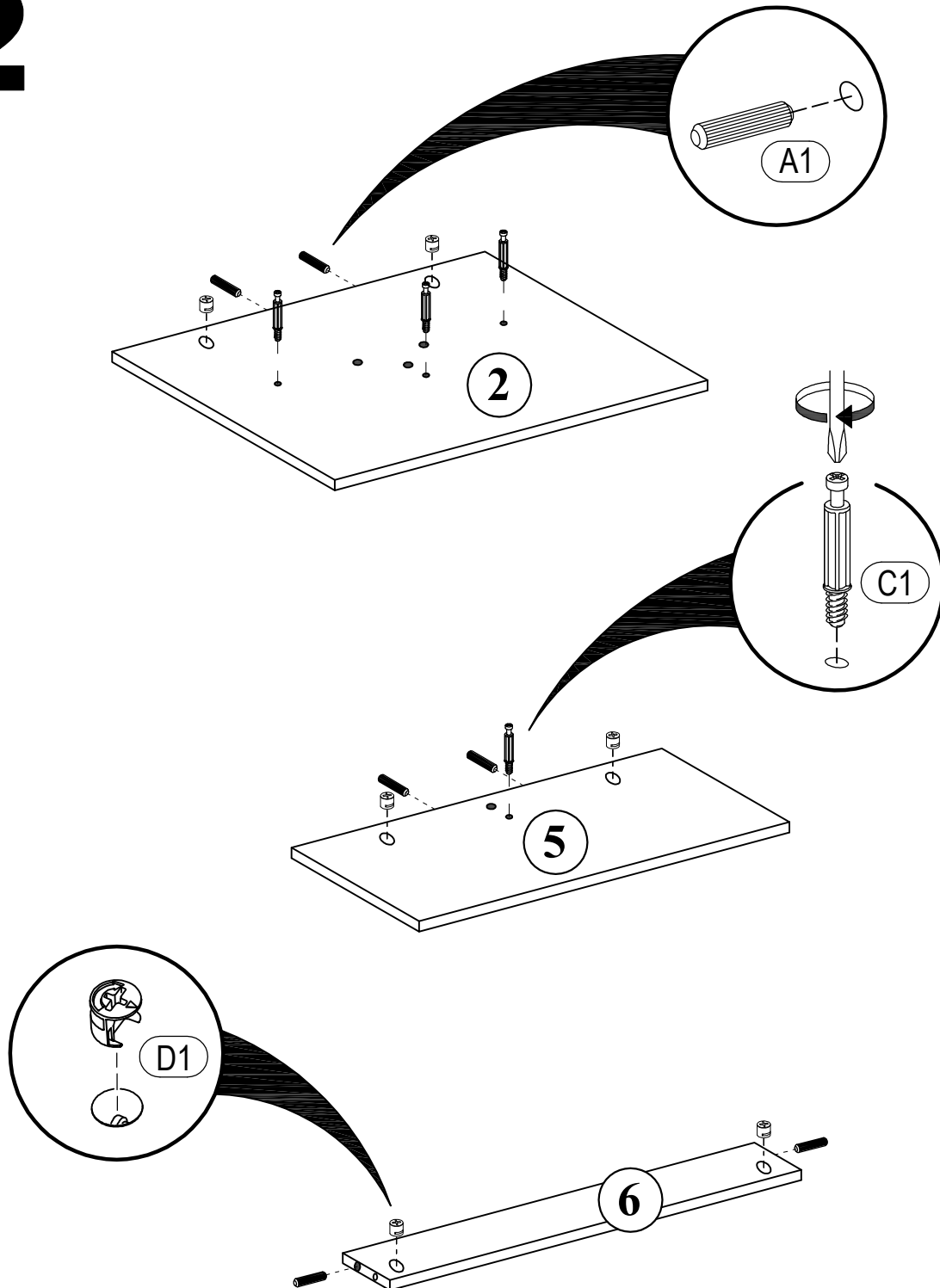
# 1



# Light coffee table

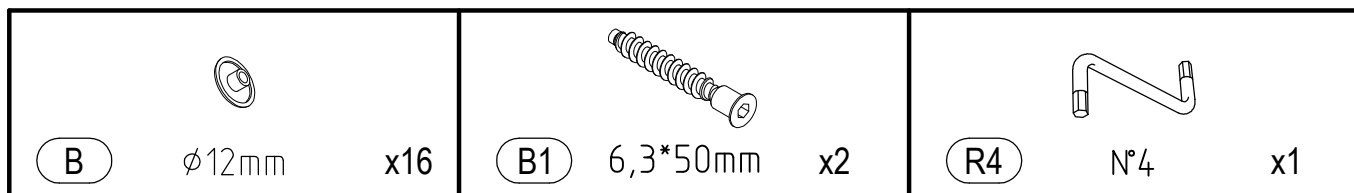
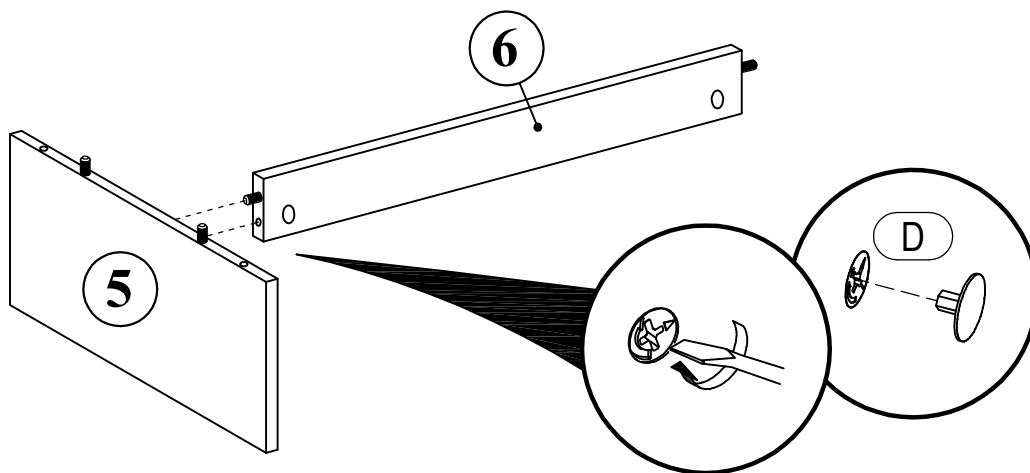
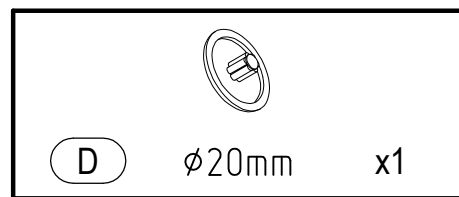
 C1 6*43mm x4	 D1 15/16 x6	 A1 8*30mm x6
---	--	---

# 2

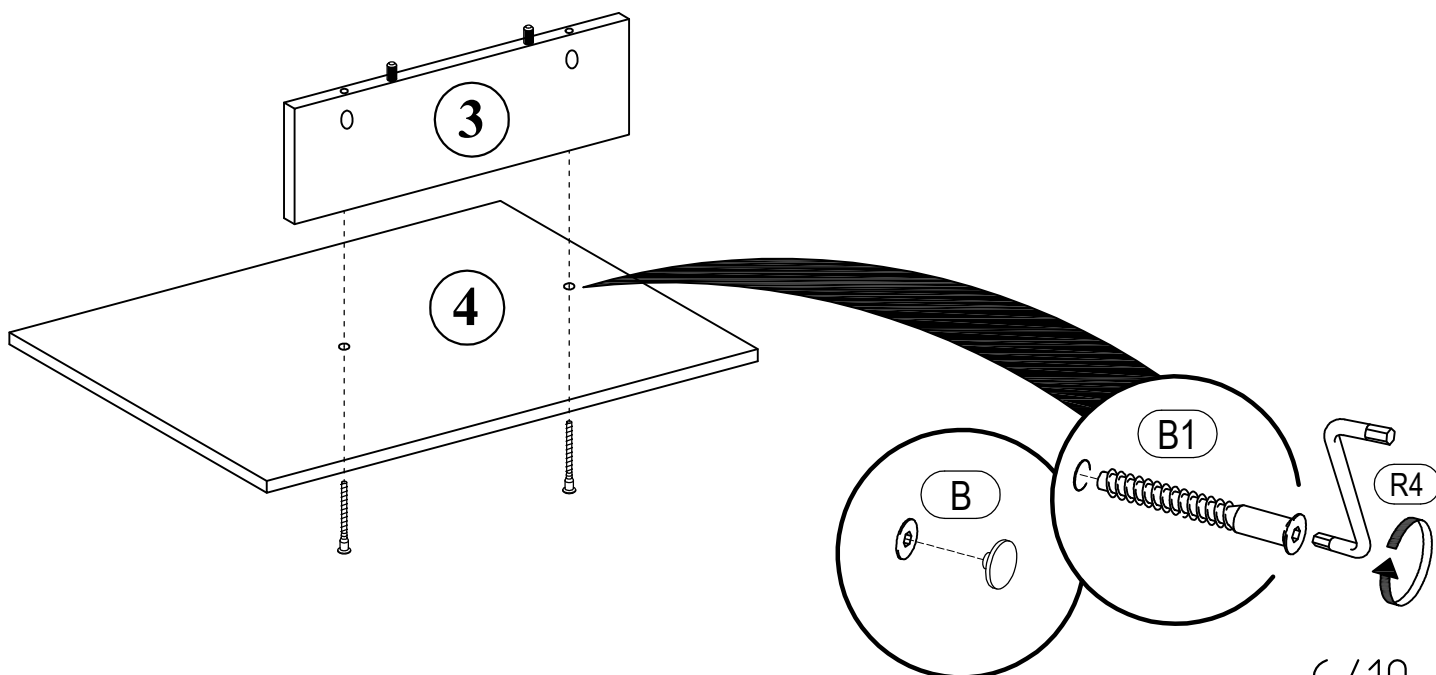


# Light coffee table

# 3

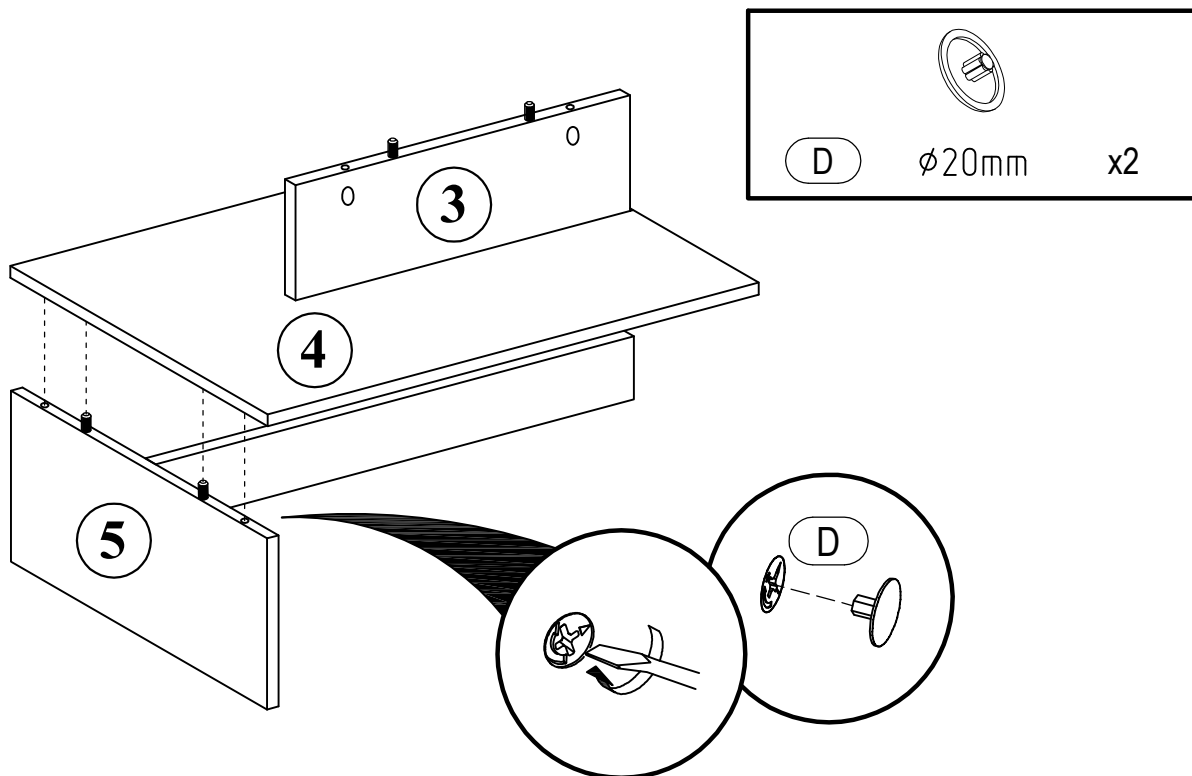


# 4

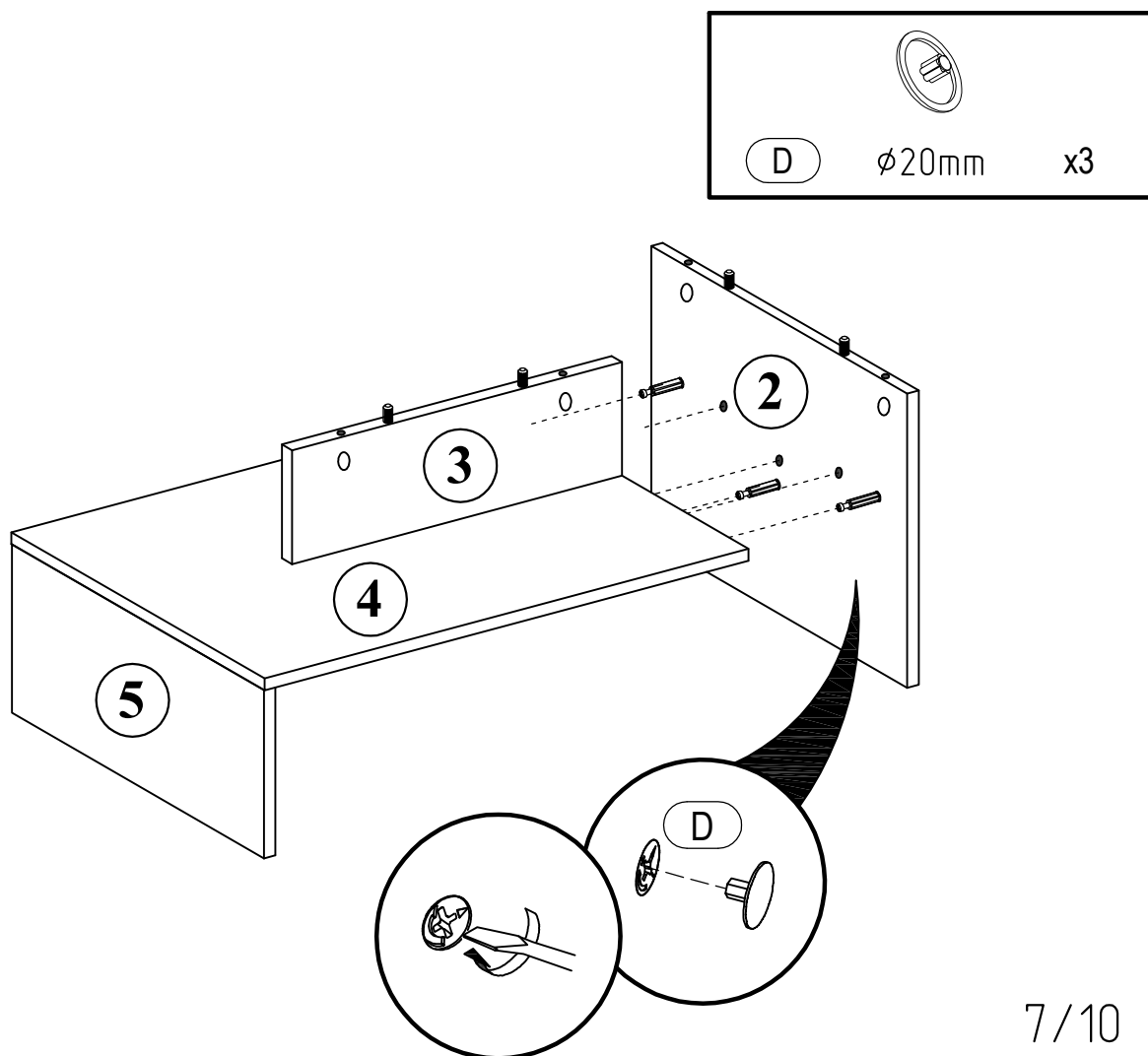


# Light coffee table

# 5

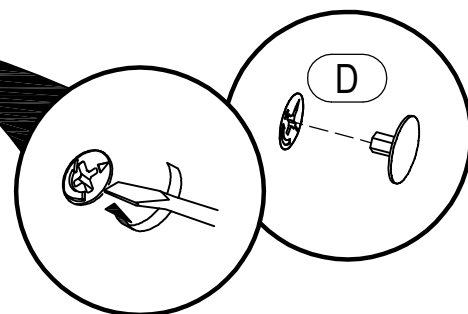
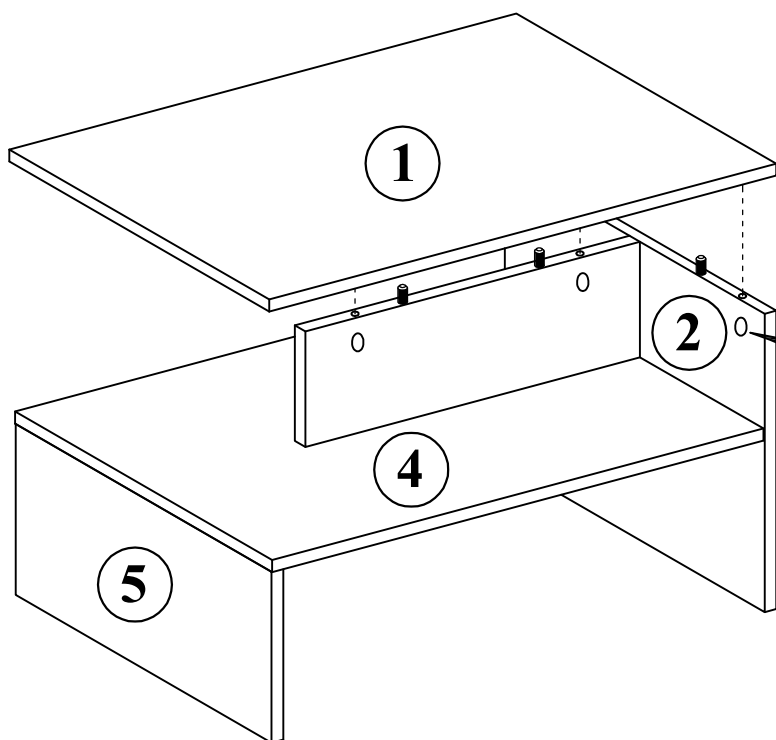
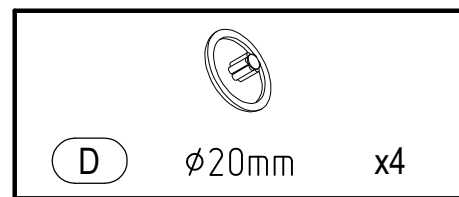


# 6

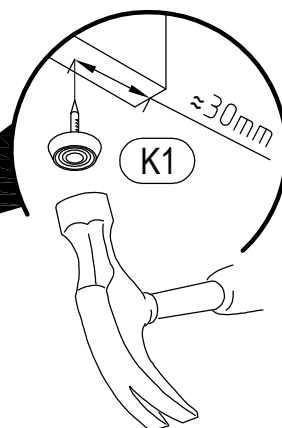
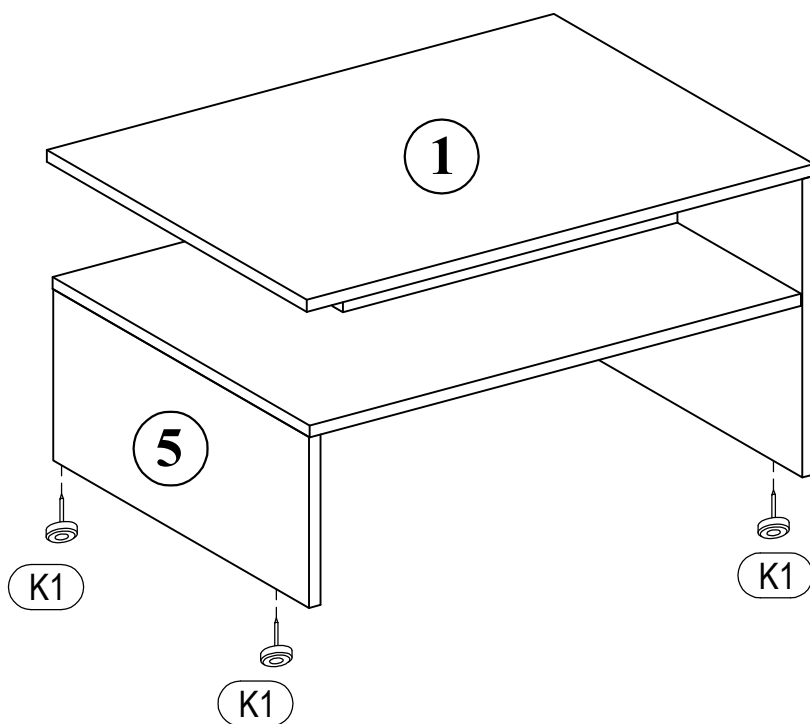
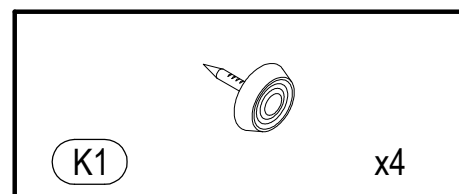


# Light coffee table

# 7

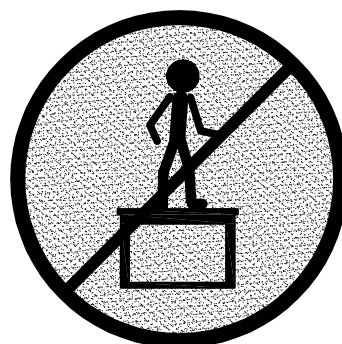
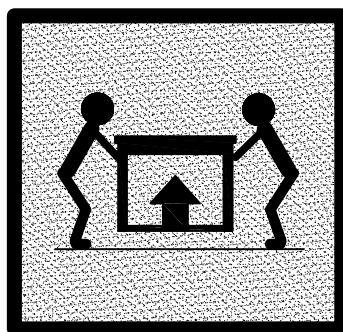
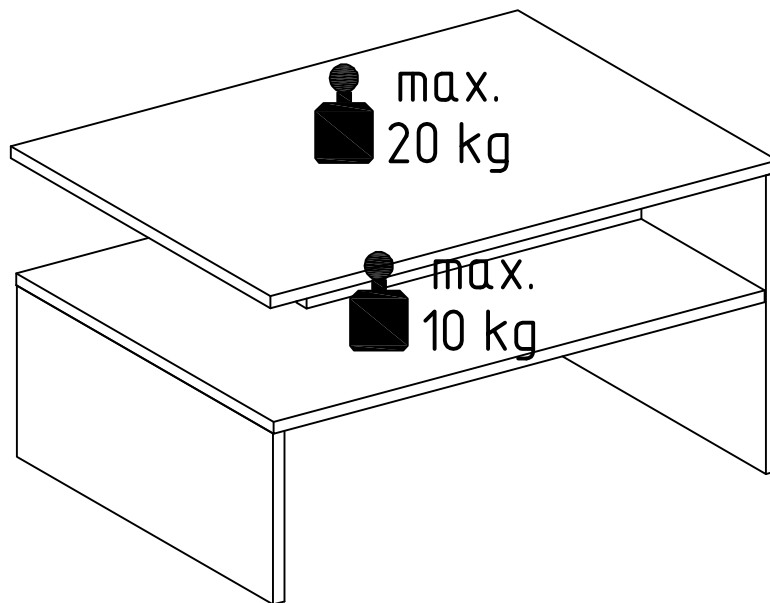


# 8





# Light coffee table



# Light coffee table

