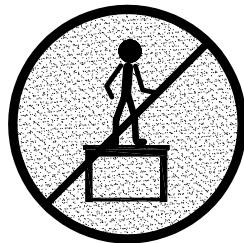
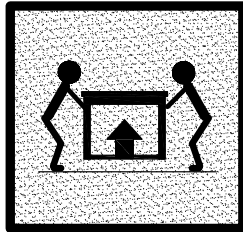
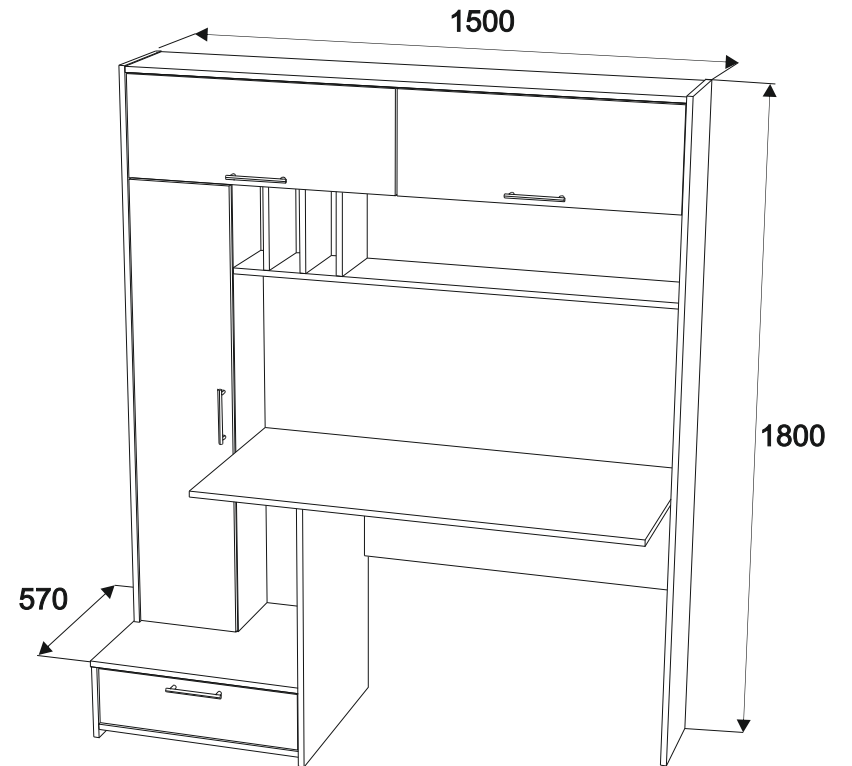
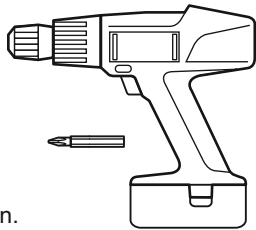
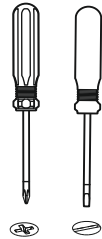
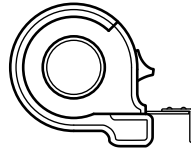
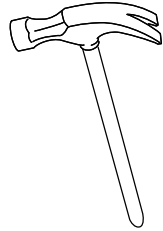


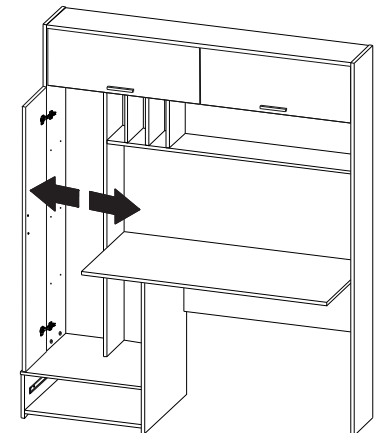
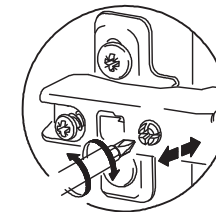
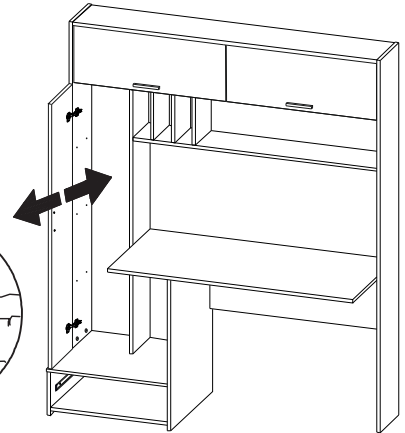
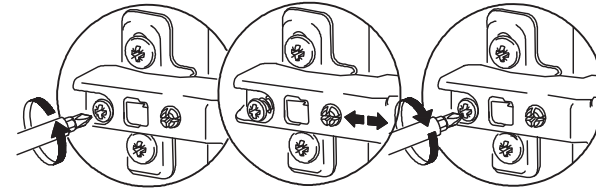
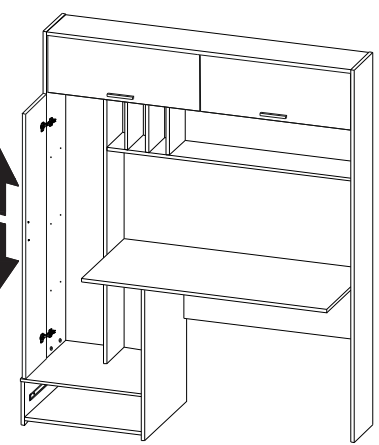
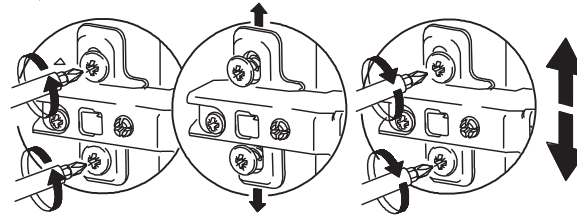
Light: Desk 03.243



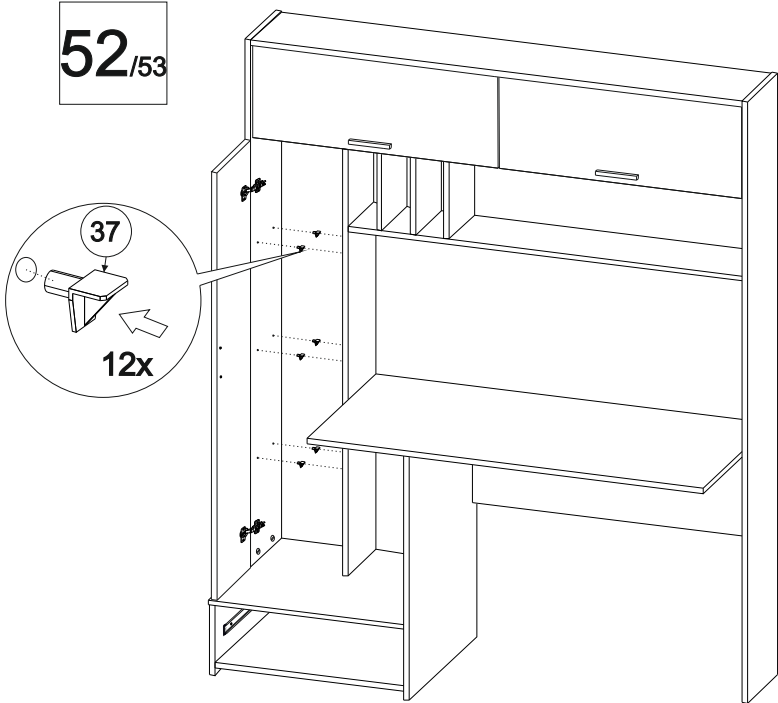
| No | a | b | x |
|----|------|------|---|
| 1 | 1468 | 248 | 1 |
| 2 | 1572 | 250 | 1 |
| 3 | 1796 | 250 | 1 |
| 4 | 1272 | 230 | 1 |
| 5 | 1468 | 230 | 1 |
| 6 | 266 | 230 | 1 |
| 7 | 230 | 210 | 3 |
| 8 | 1184 | 248 | 1 |
| 9 | 266 | 220 | 3 |
| 10 | 1184 | 570 | 1 |
| 11 | 884 | 320 | 1 |
| 12 | 734 | 550 | 1 |
| 13 | 586 | 548 | 1 |
| 14 | 546 | 208 | 1 |
| 15 | 568 | 546 | 1 |
| 16 | 510 | 92 | 1 |
| 17 | 450 | 92 | 1 |
| 18 | 450 | 92 | 1 |
| 19 | 560 | 160 | 1 |
| 20 | 1264 | 280 | 1 |
| 21 | 730 | 278 | 2 |
| 22 | 288 | 1495 | 1 |
| 23 | 1285 | 295 | 1 |
| 24 | 190 | 595 | 1 |
| 25 | 540 | 448 | 1 |
| 26 | 1184 | 212 | 1 |

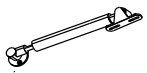
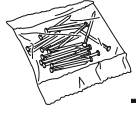






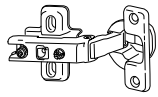

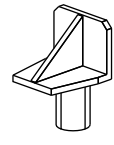





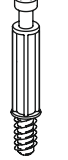
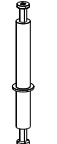




60-90 min.

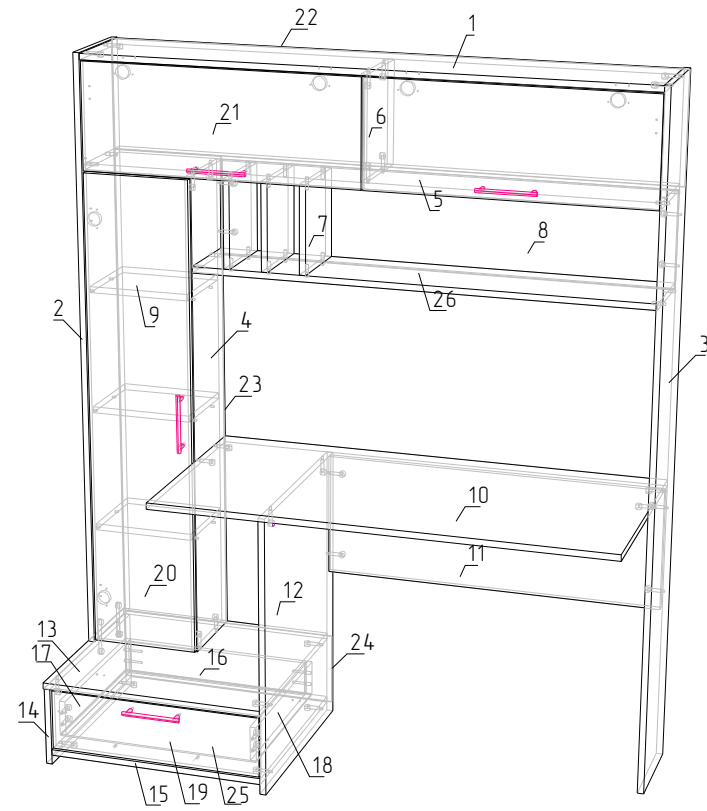
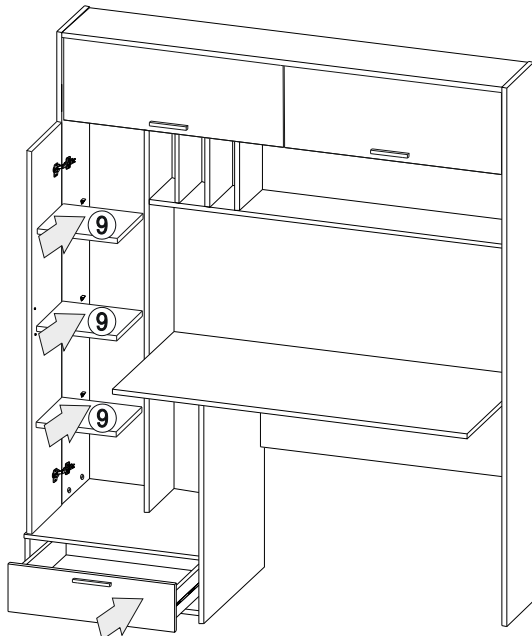


52/53

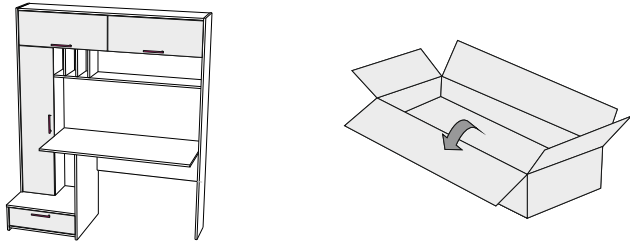


| | | | | |
|----------------------------------------------------------------------------------------------------------|------------------------------------------------------------------------------------------------------------|----------------------------------------------------------------------------------------------------------|-----------------------------------------------------------------------------------------------------------|-------------------------------------------------------------------------------------------------|
|  27 2x |  28 72x |  29 7x50 4x |  30 1x |  31 6x |
|  32 2x |  33 1x |  34 4x |  35 6x |  36 6x |
|  37 14x |  38 3,5x16 25x |  39 4x16 28x |  40 4,0x30 8x |  41 4x |
|  42 8x30 20x |  43 37x |  44 2x |  45 41x |  46 4x |

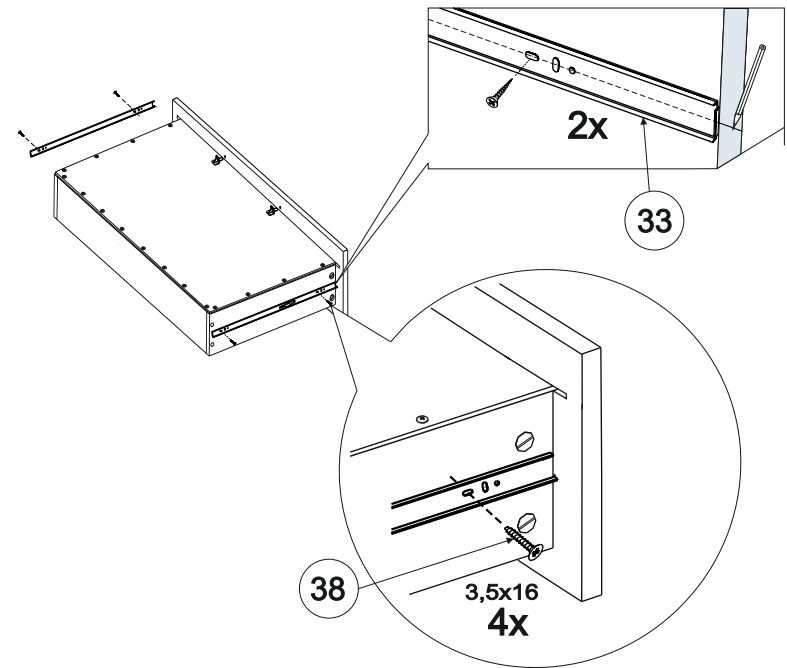
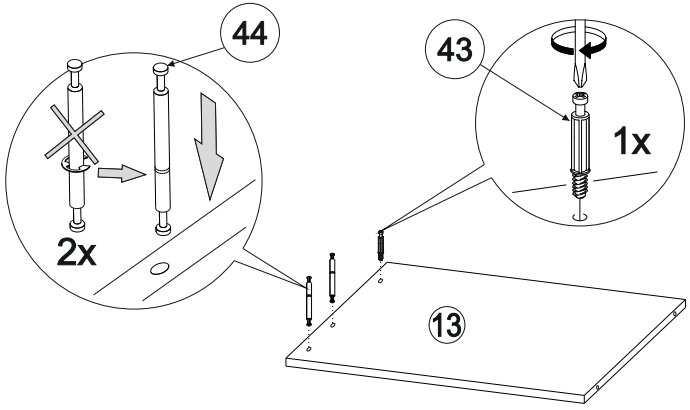
53/53



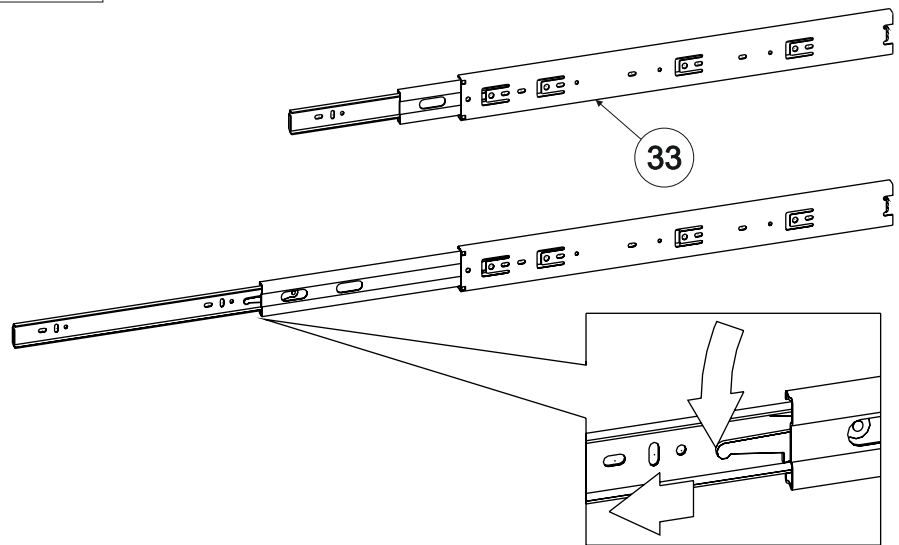
1/53



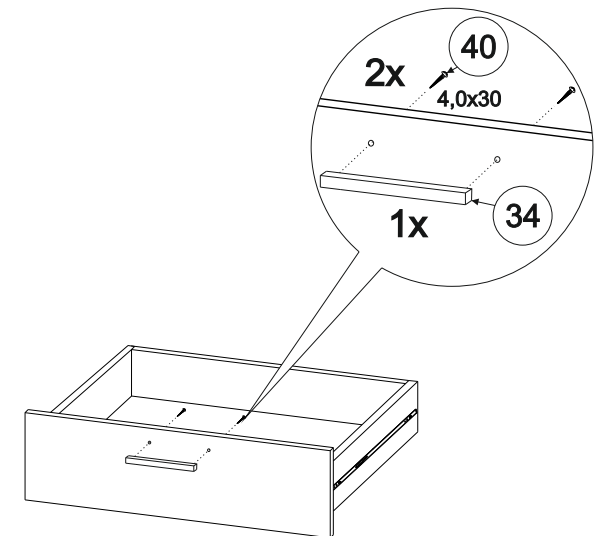
50/53



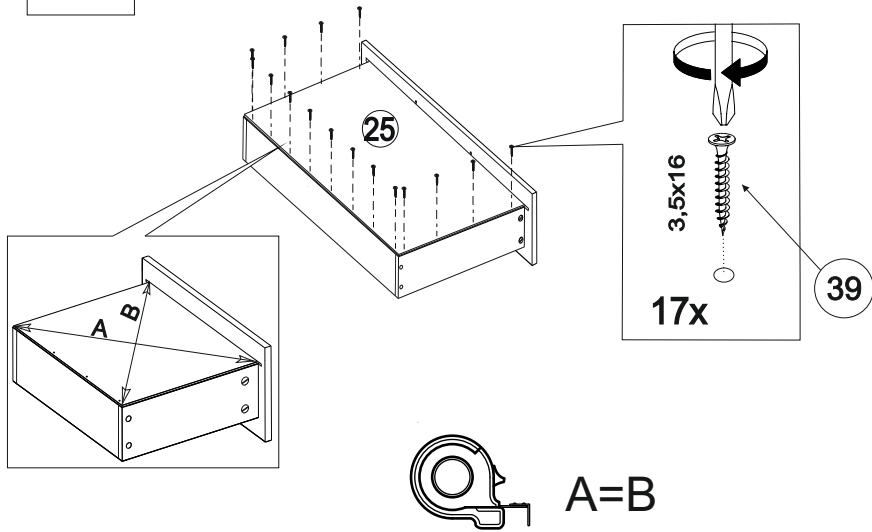
2/53



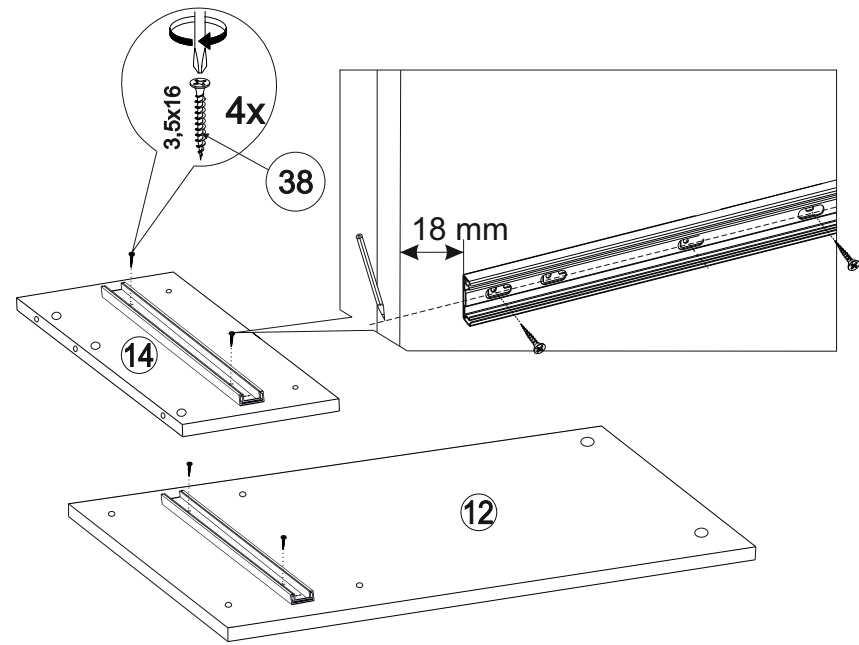
51/53



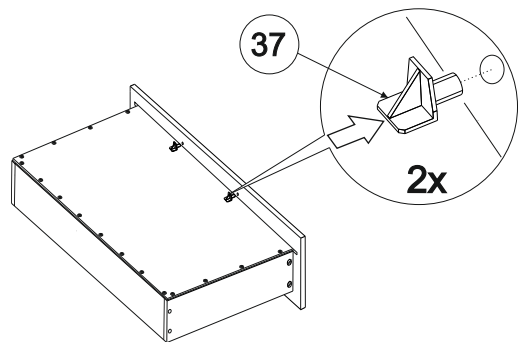
48/53



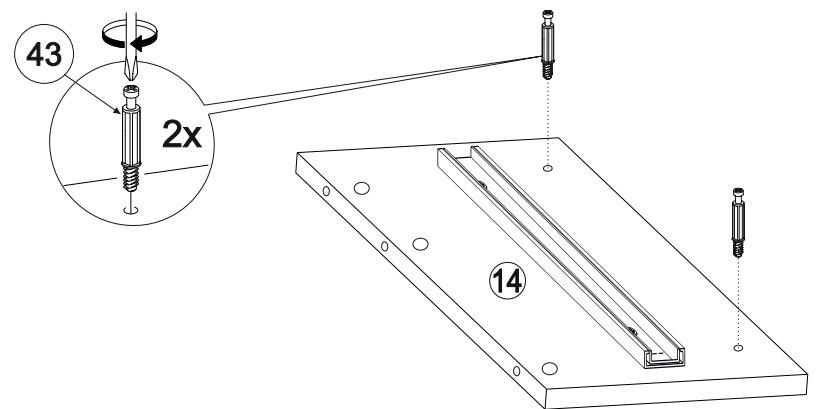
3/53



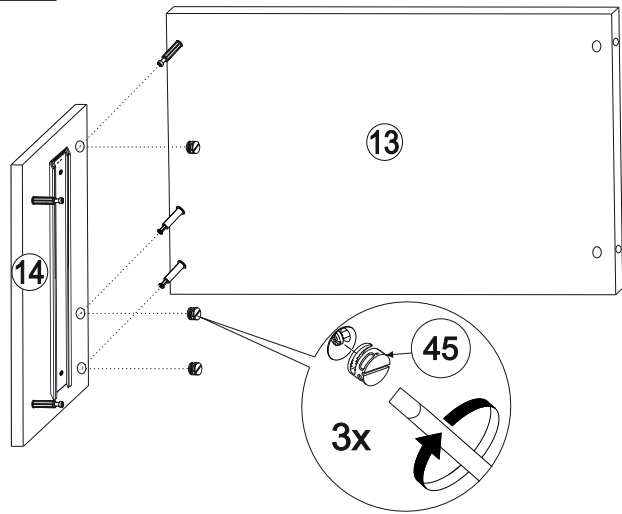
49/53



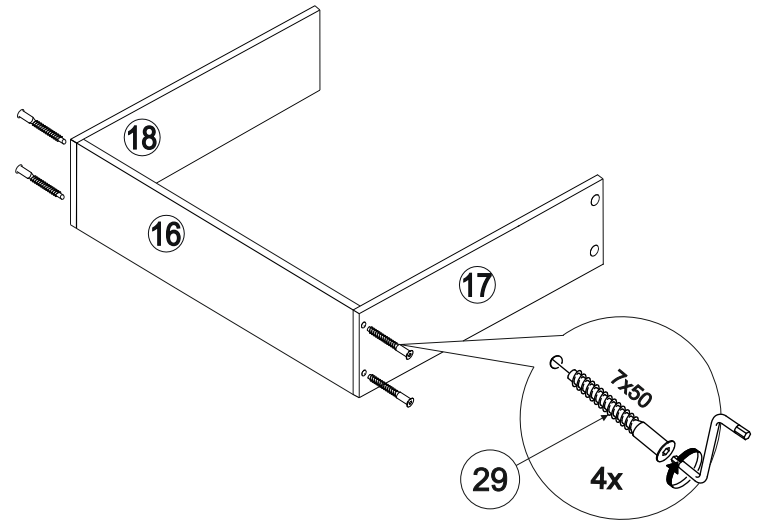
4/53



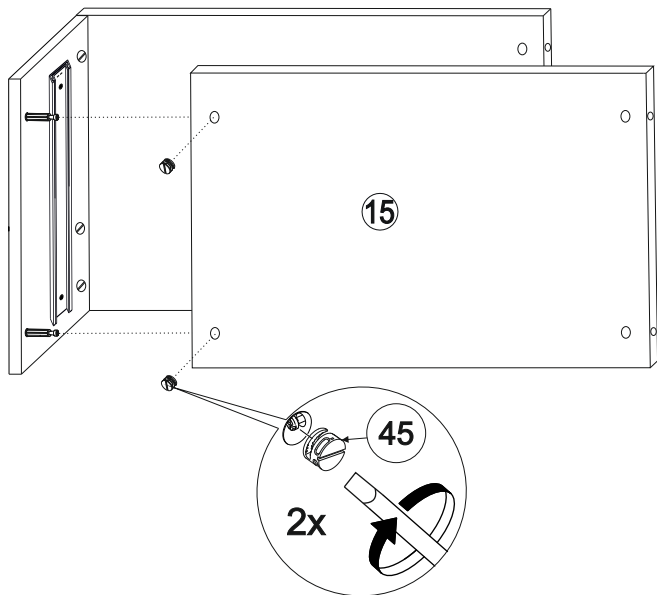
5/53



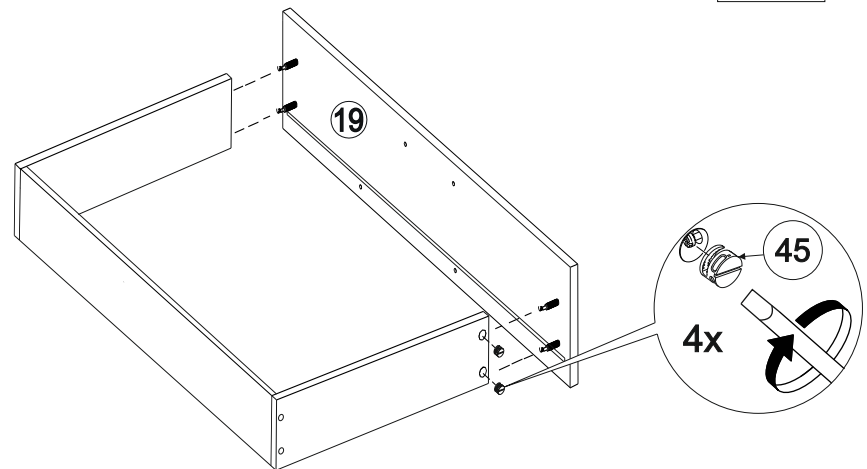
46/53



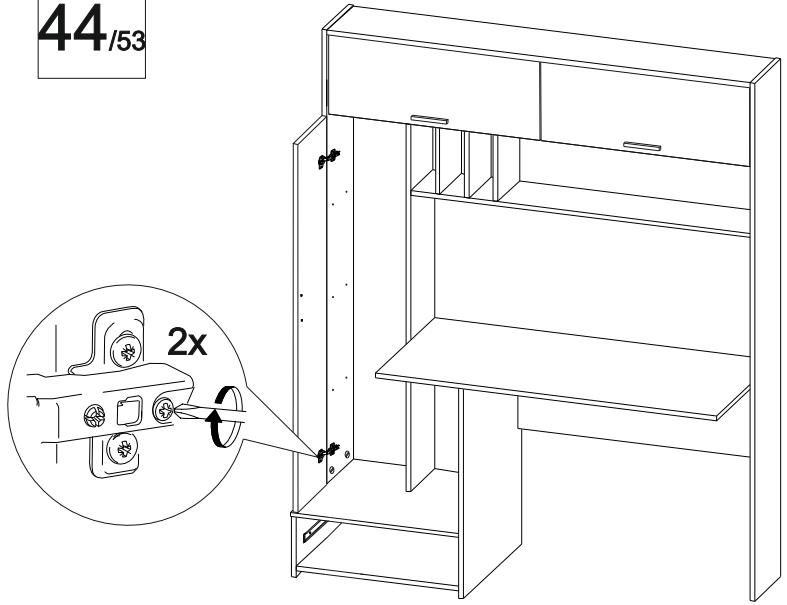
6/53



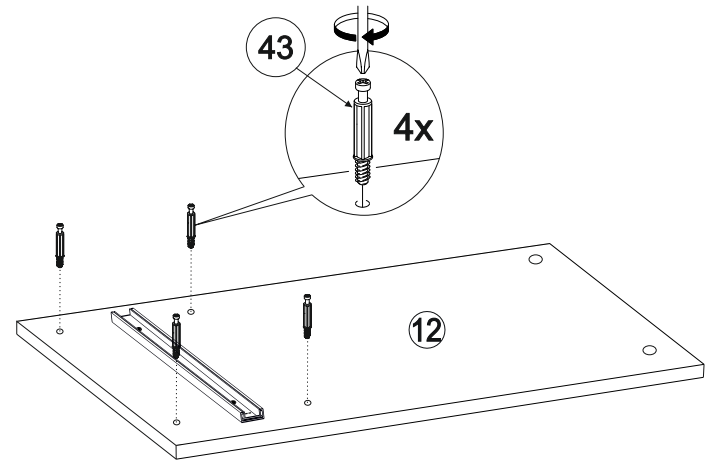
47/53



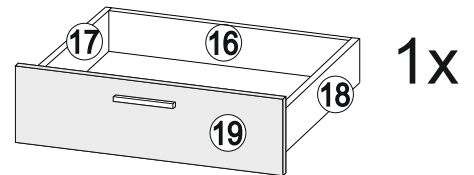
44/53



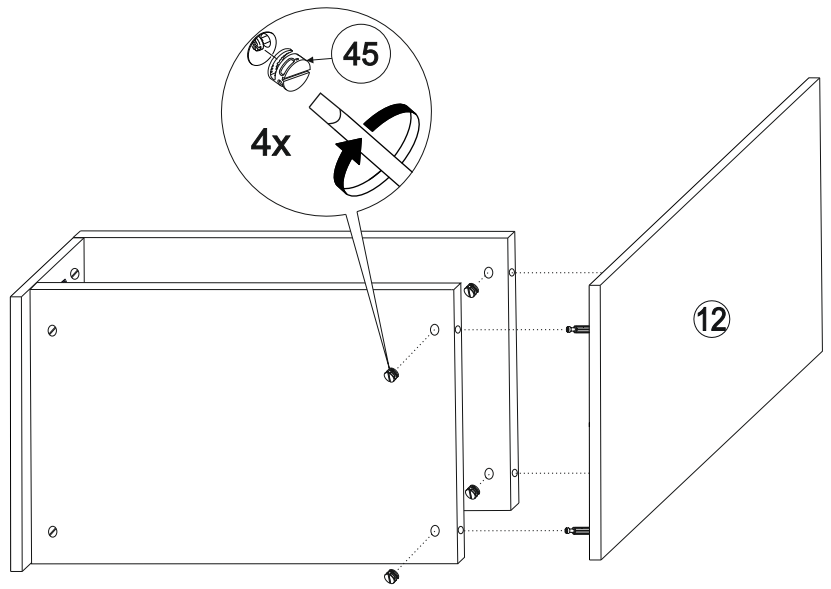
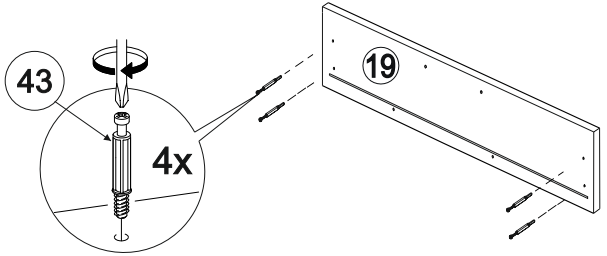
7/53



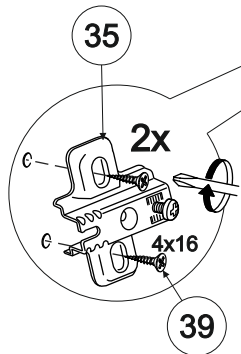
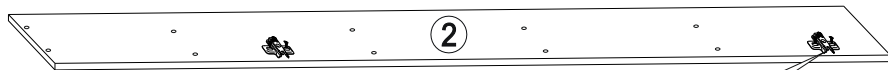
45/53



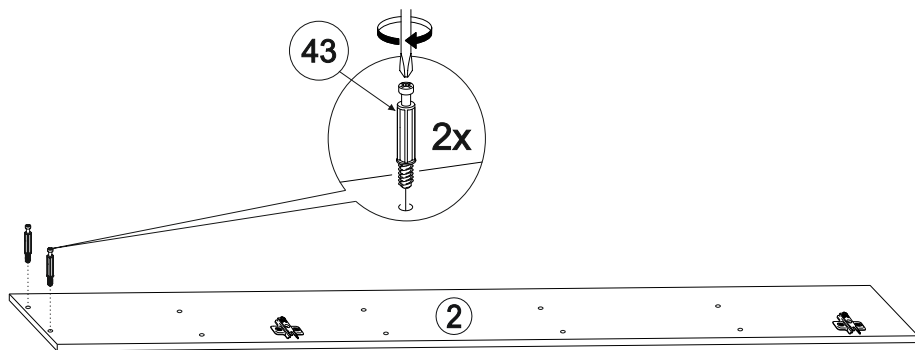
8/53



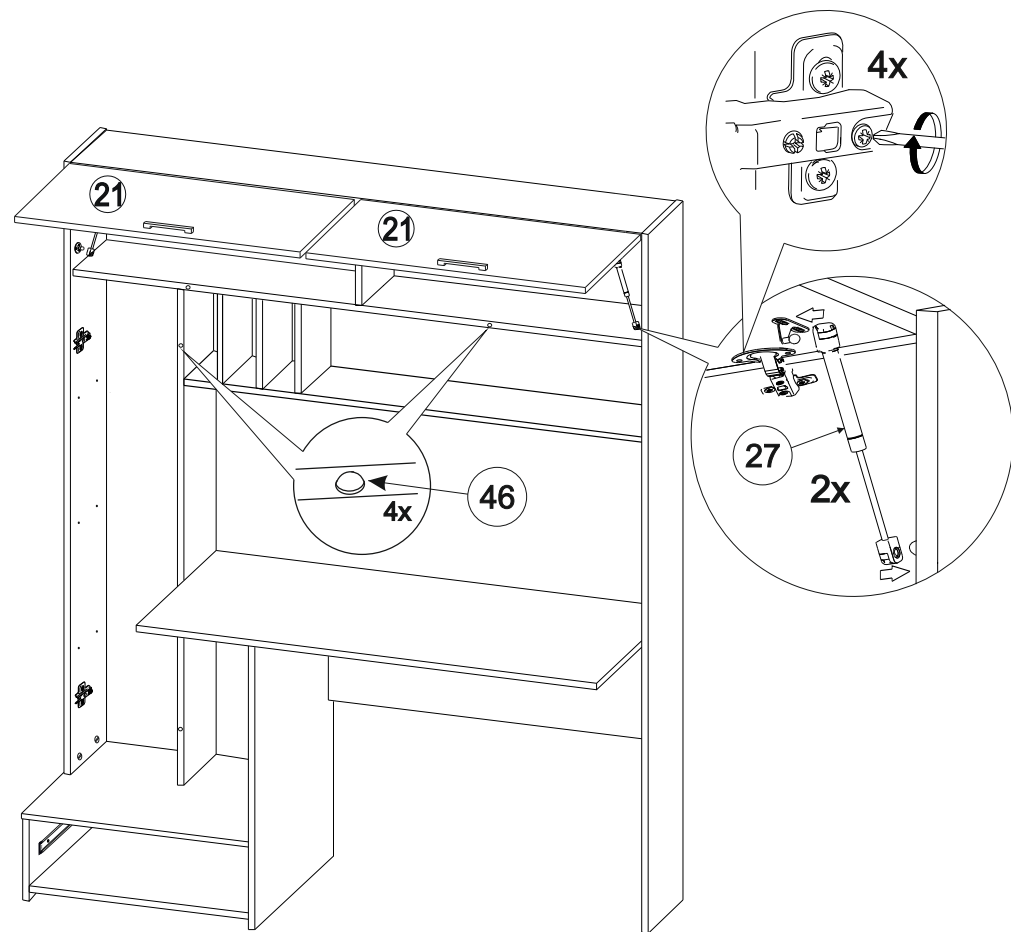
9/53



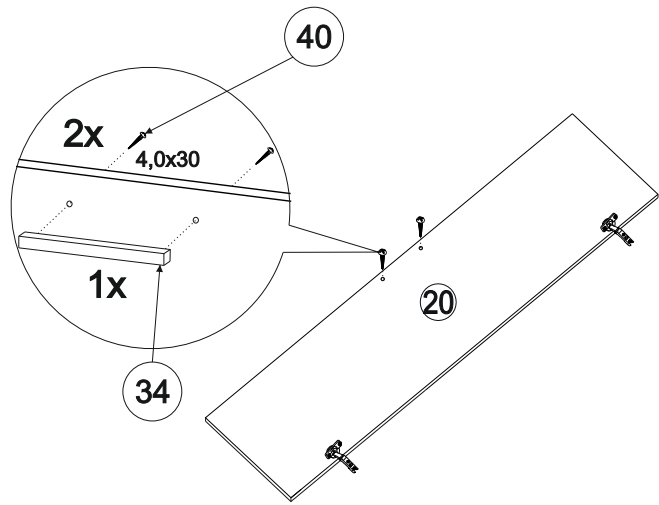
10/53



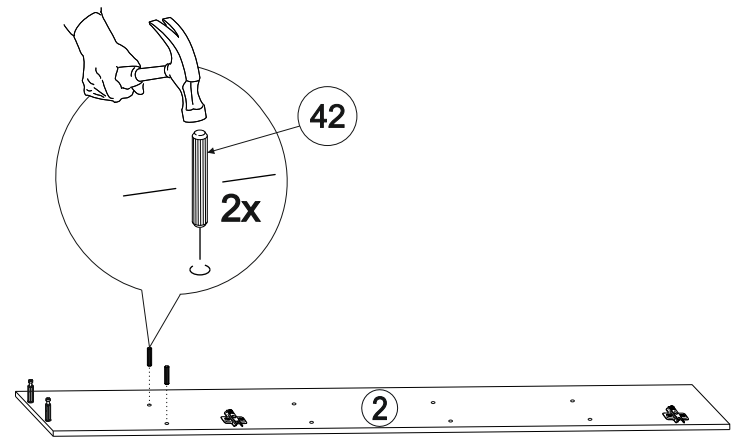
43/53



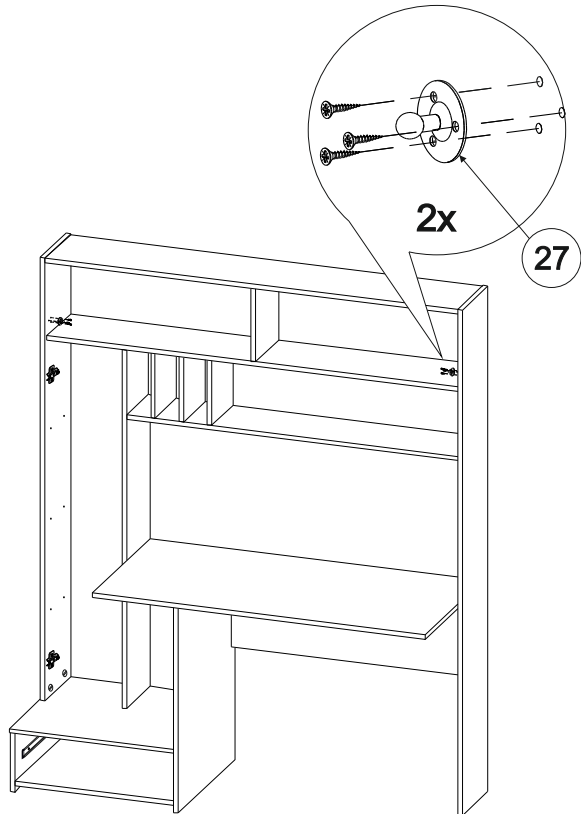
41 /53



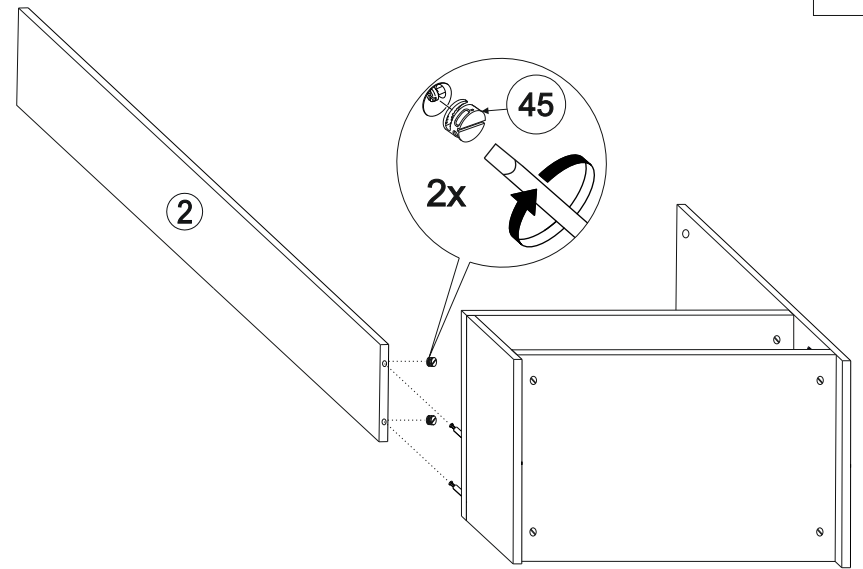
11 /53



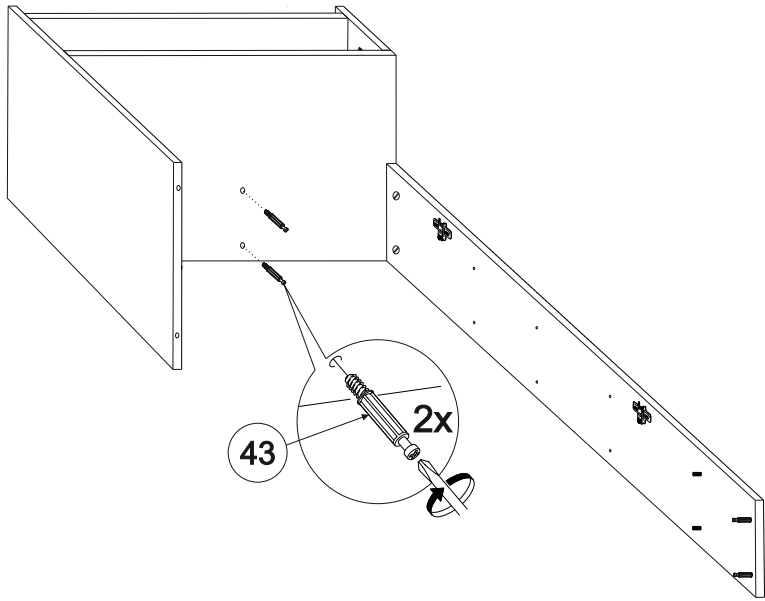
42 /53



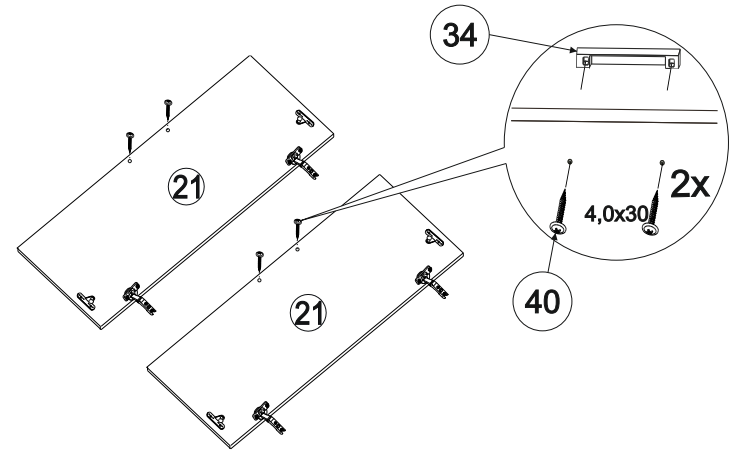
12 /53



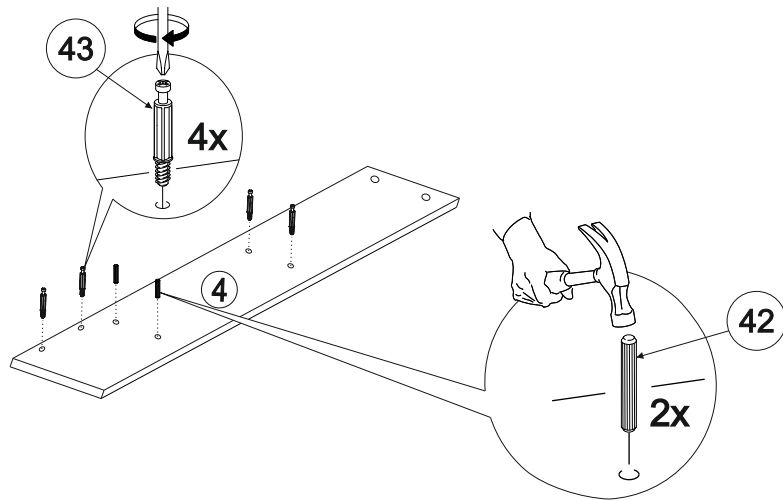
13/53



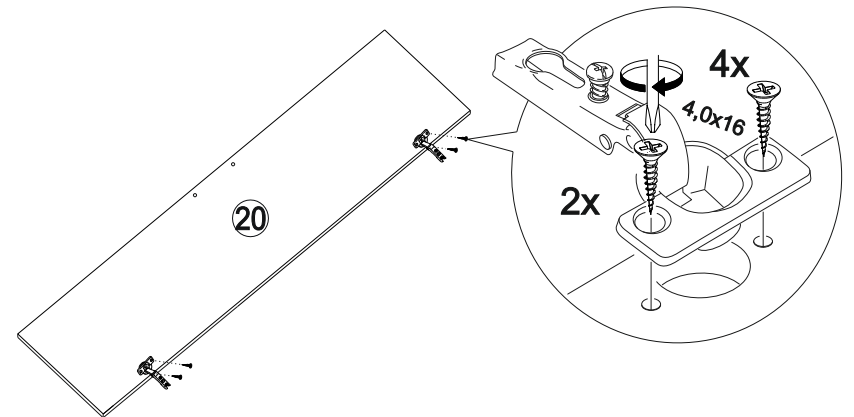
39/53



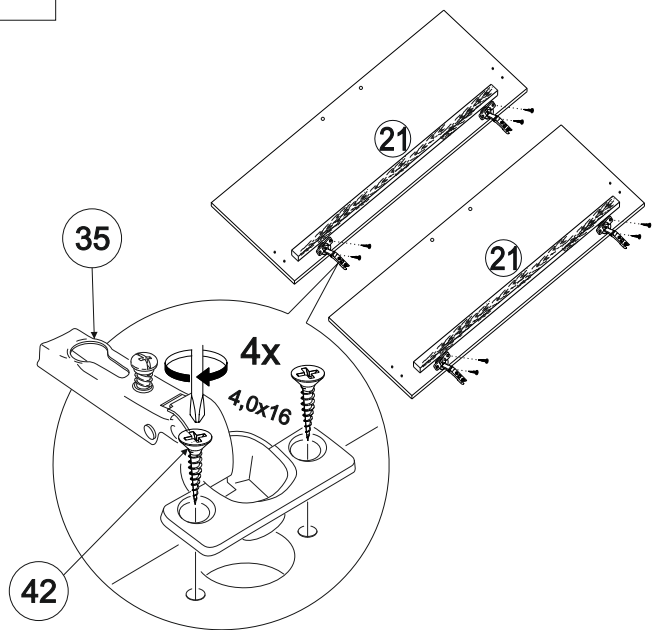
14/53



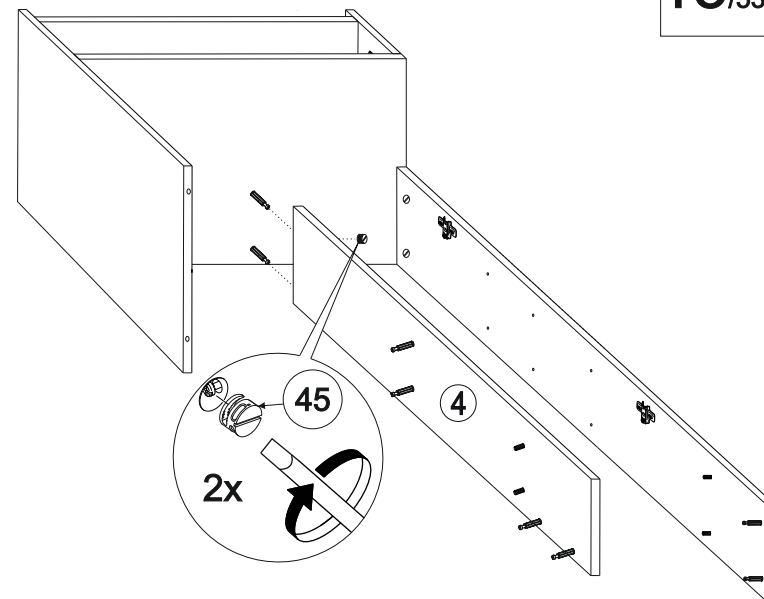
40/53



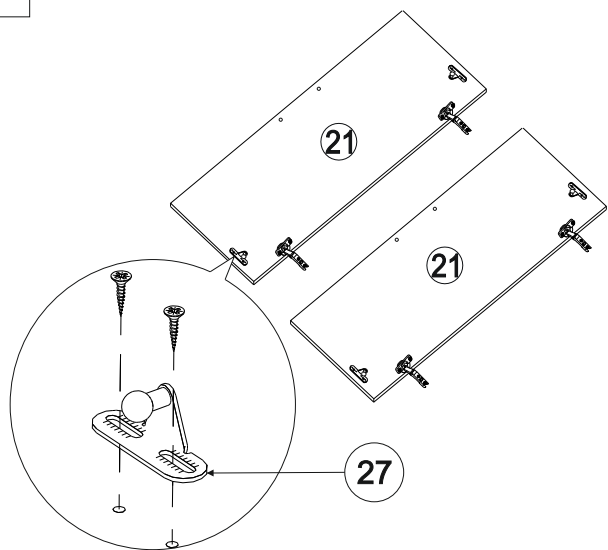
37 /53



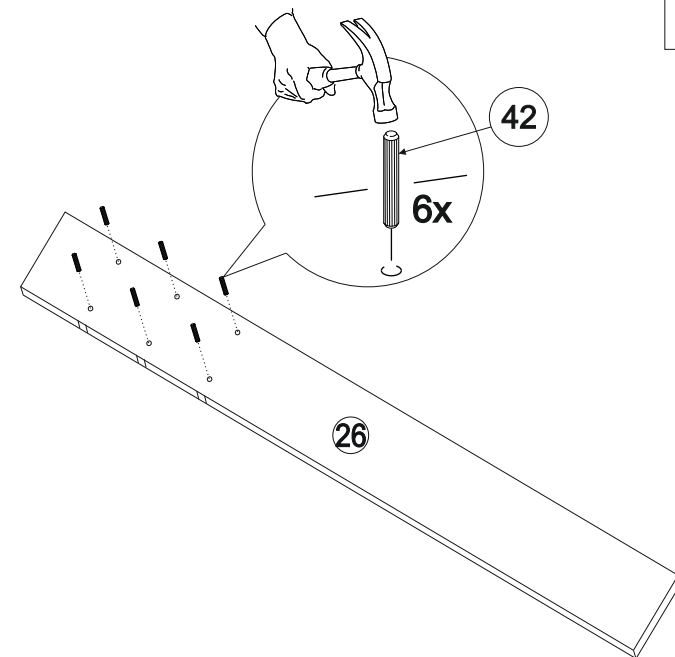
15 /53



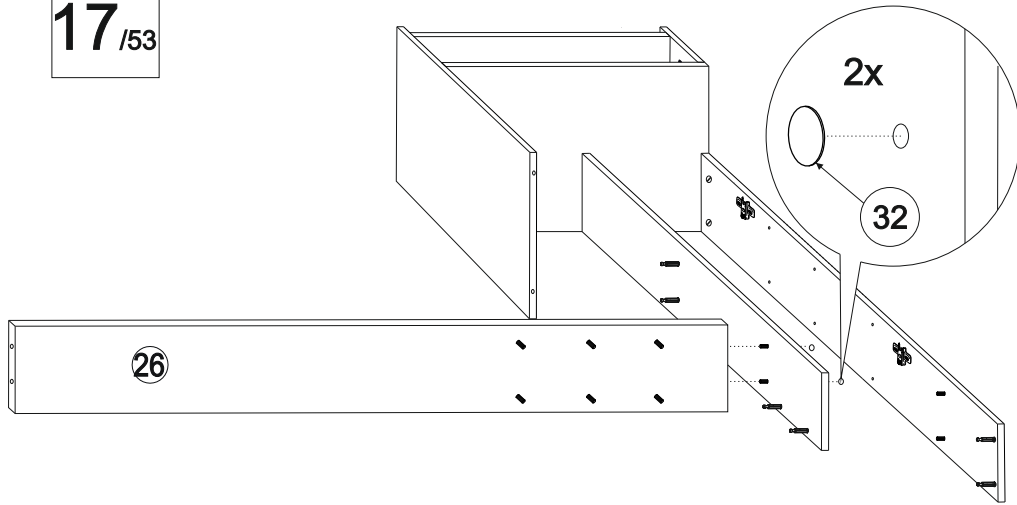
38 /53



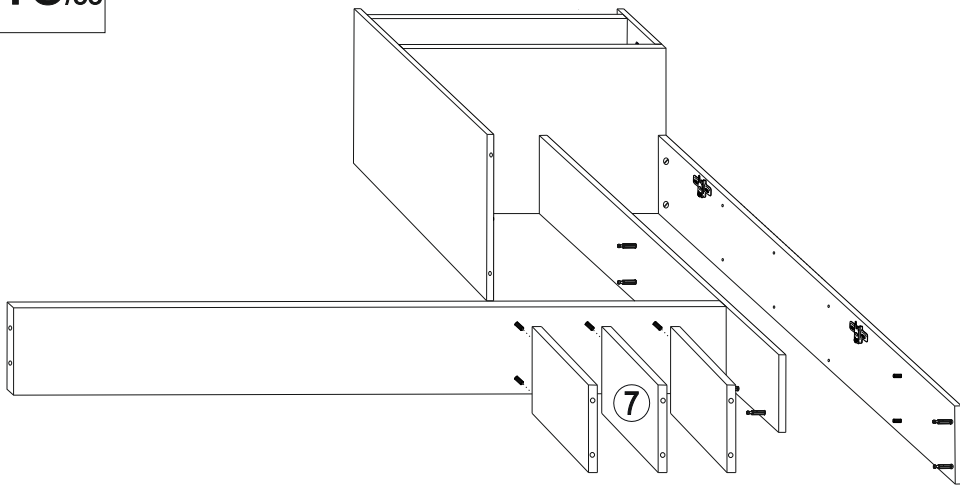
16 /53



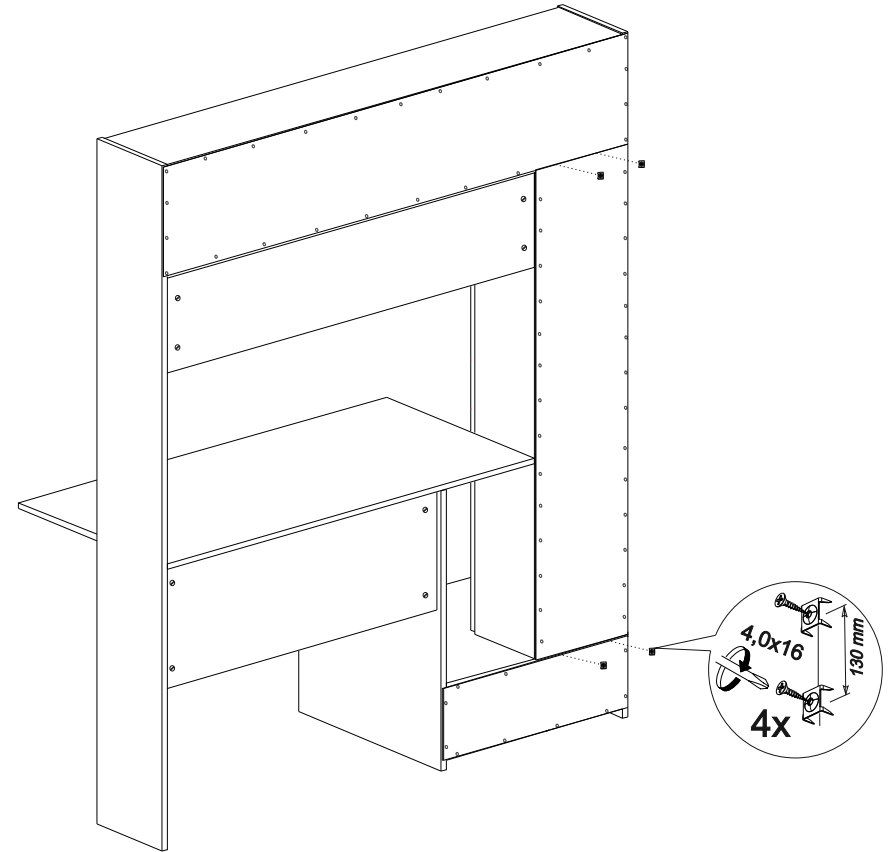
17 /53

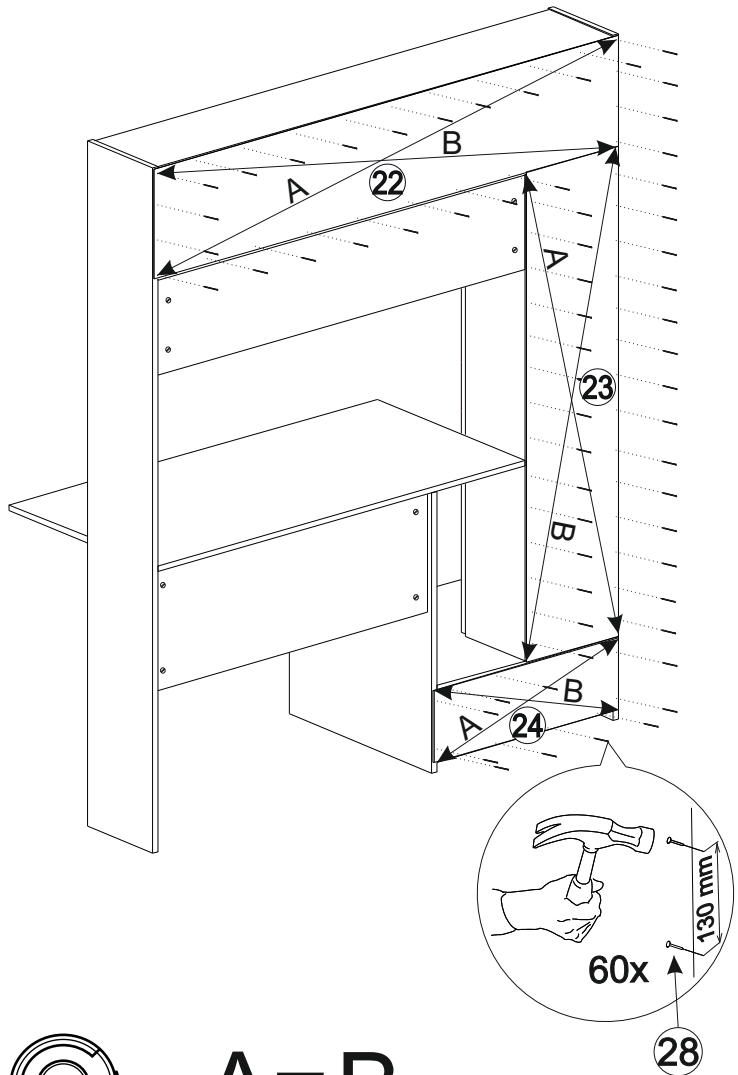


18 /53

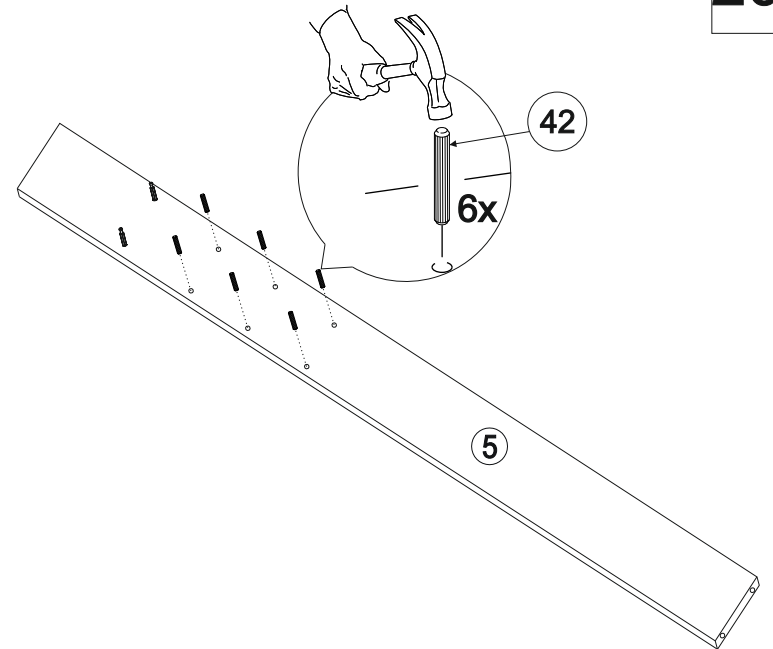
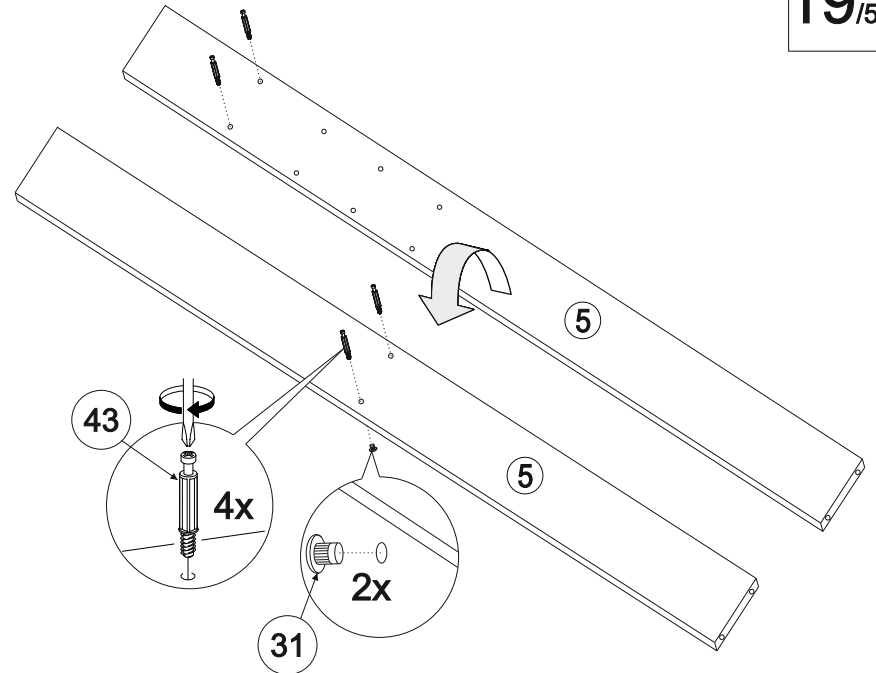


36 /53

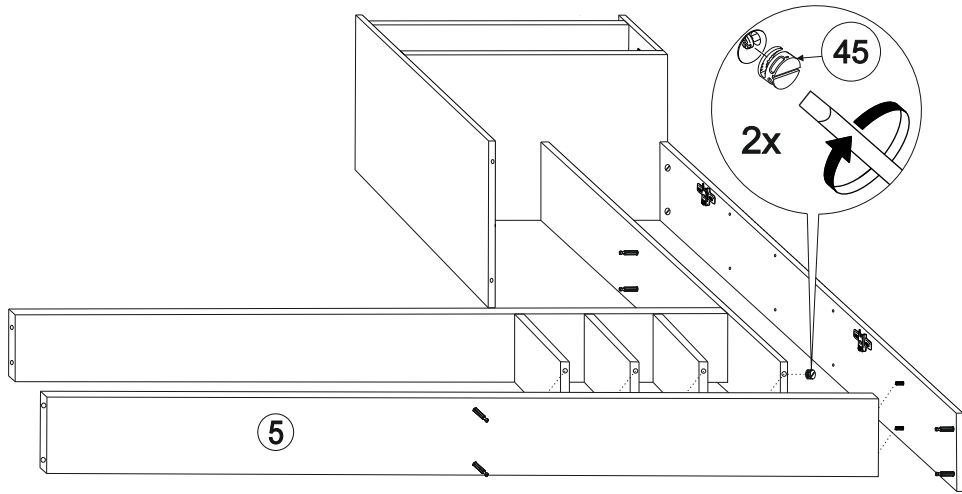




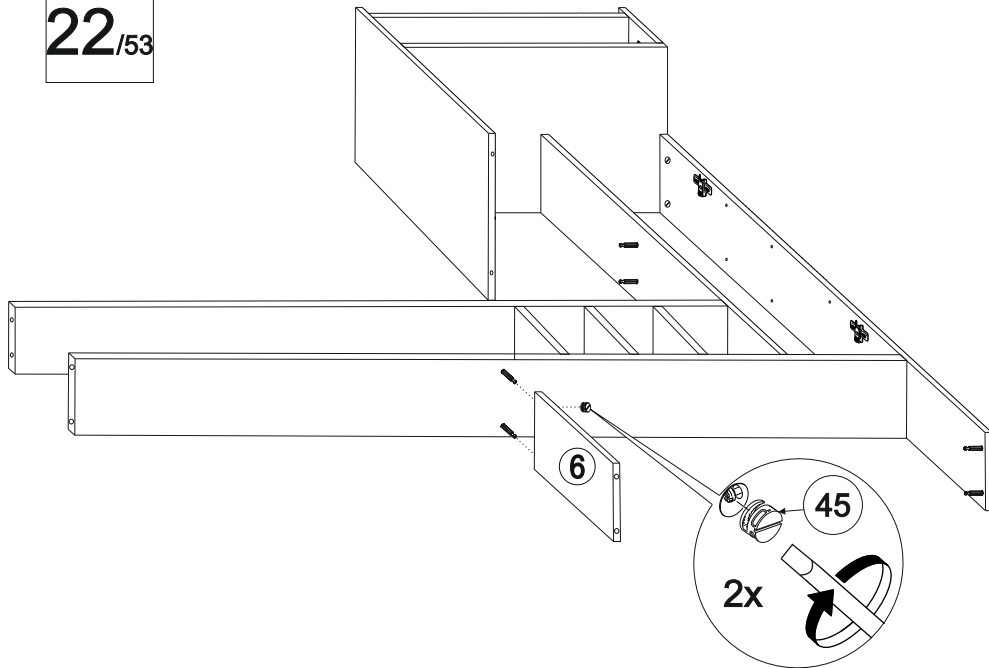
 **A=B**



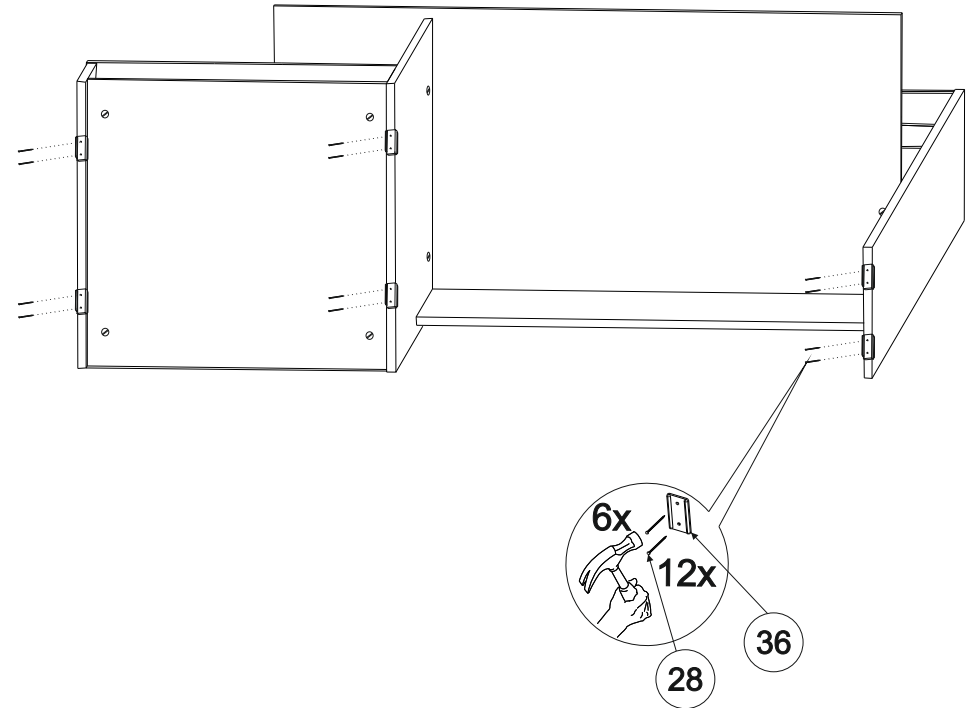
21/53

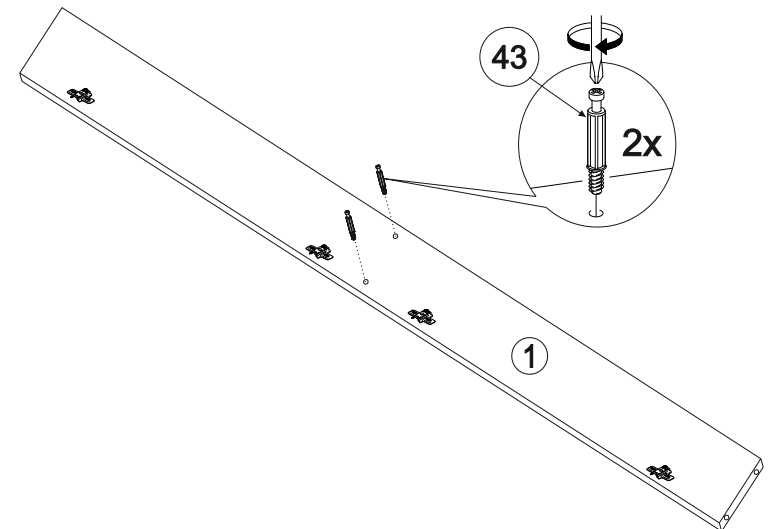
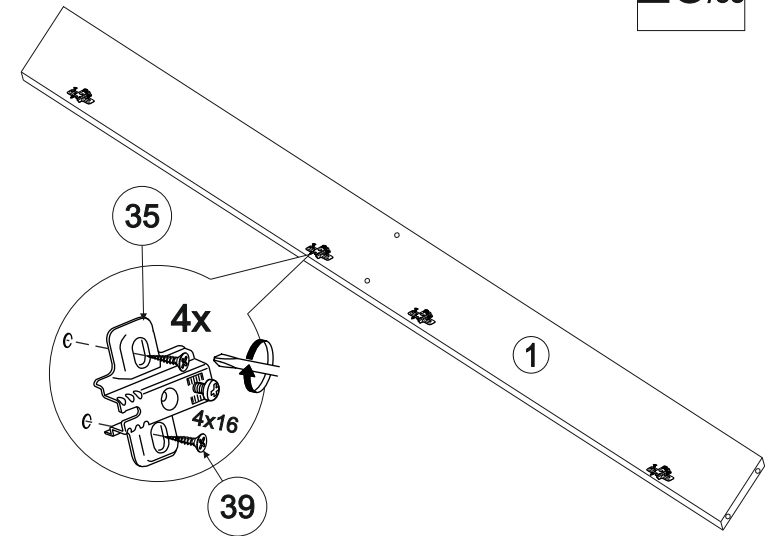
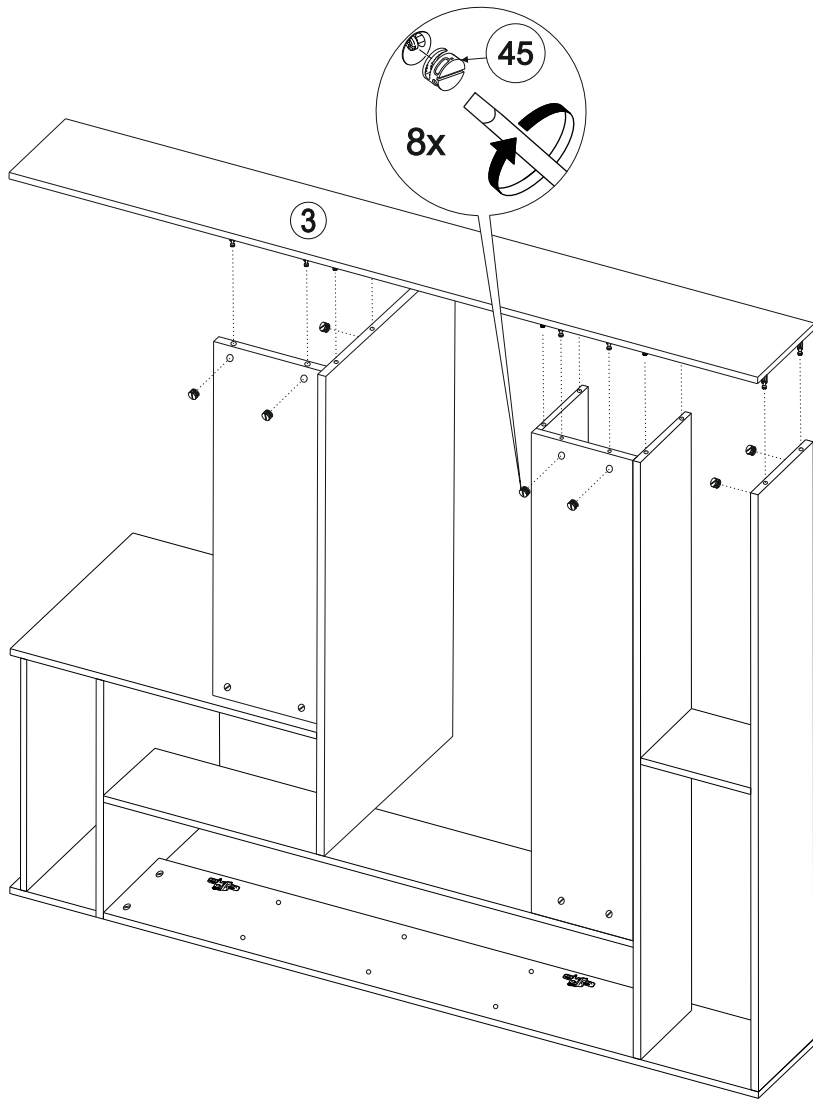


22/53

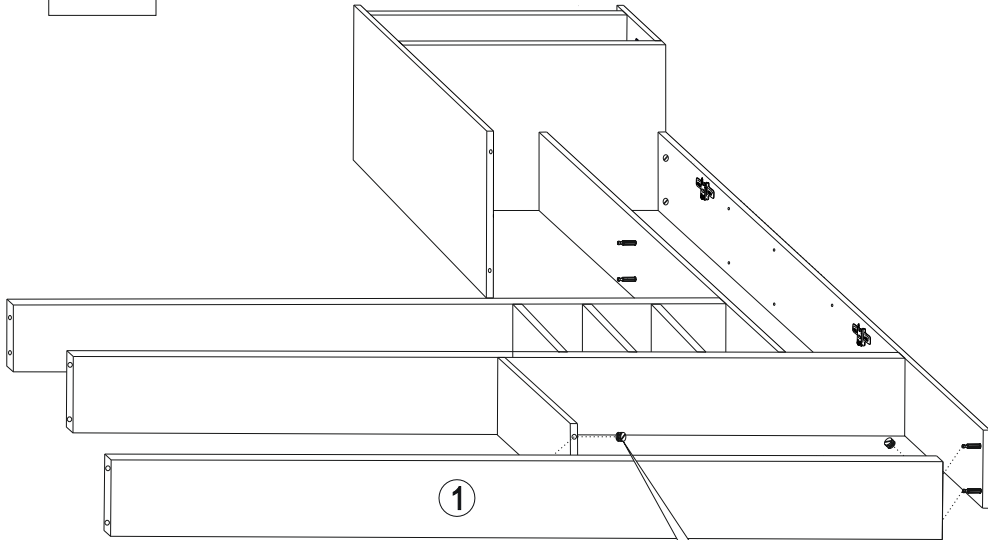


34/53

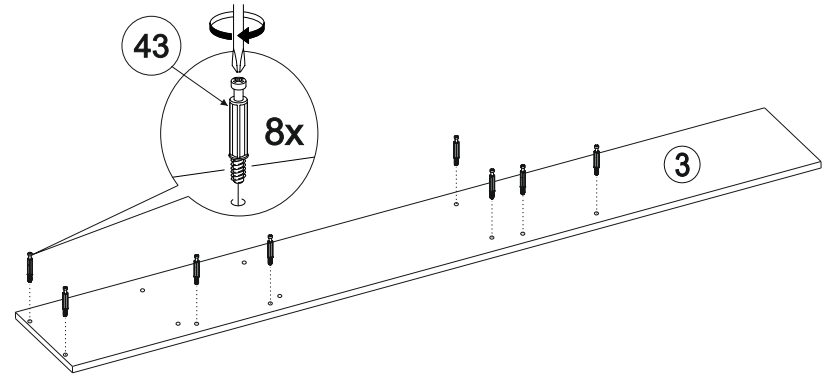




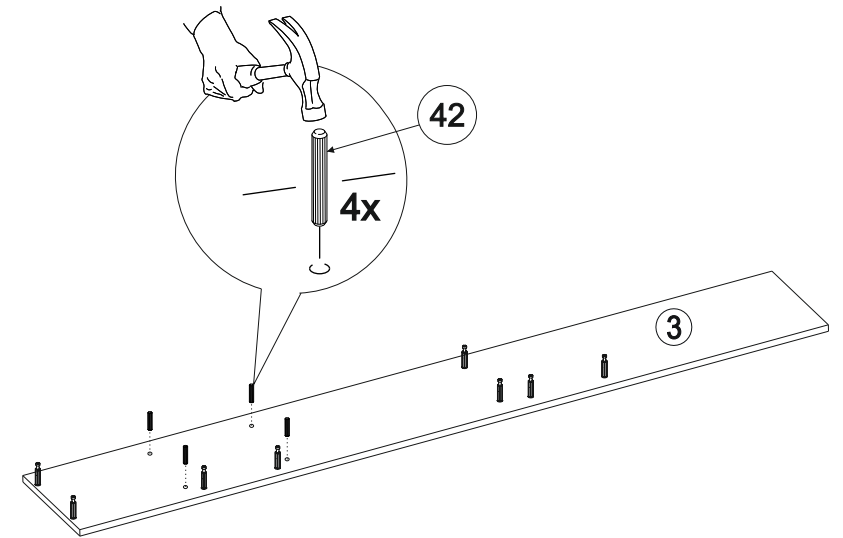
25/53



31/53



32/53



26/53

