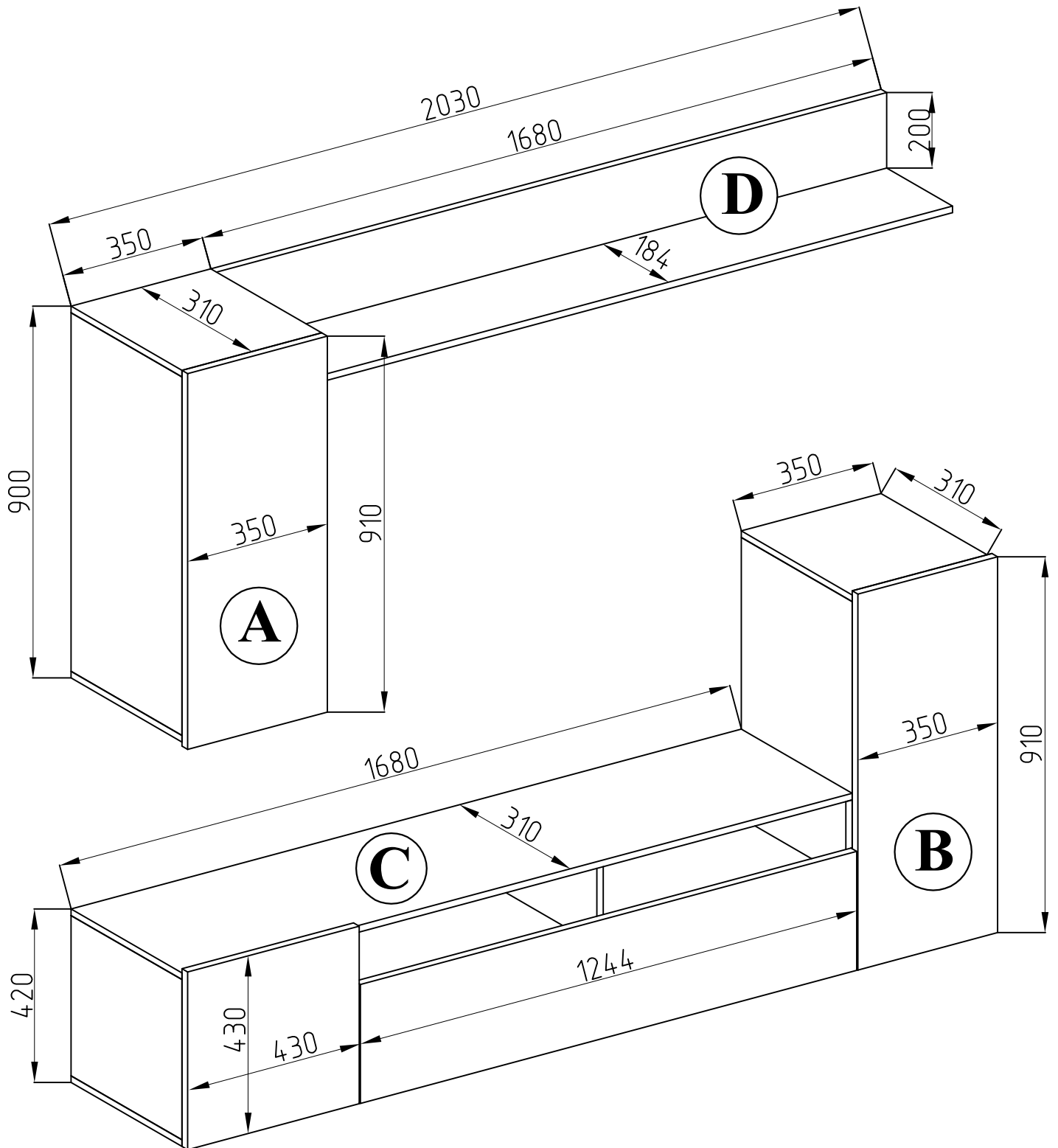
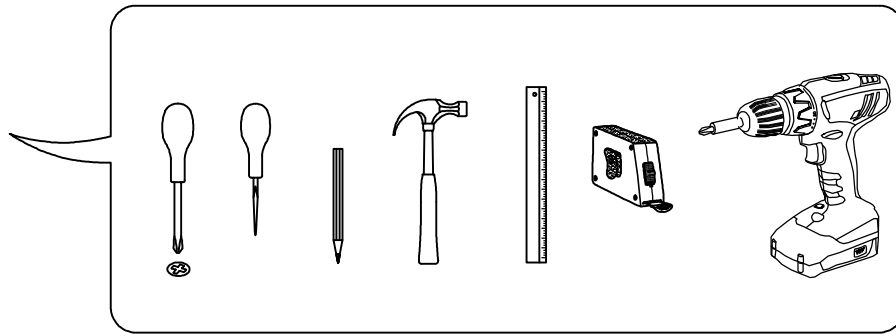
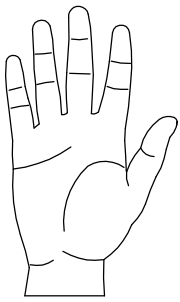
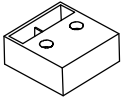






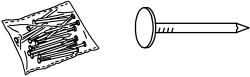
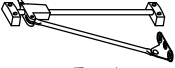
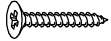
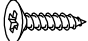
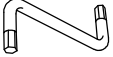
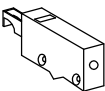
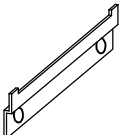

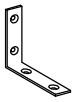
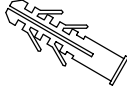
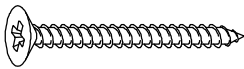
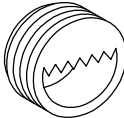
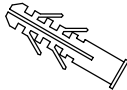





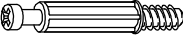
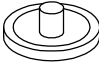



LINE





 K4 x10	 E11 4*35mm x20	 L1 x8	 H2 x20
 E10 4*16mm x16	 F2 6,3*13mm x16	 U3 x8	 R3 1.4*25mm 0.01kg
 N4 R+L x2	 E3 3*20mm x8	 E4 3,5*16 x10	 R4 N°4 x1
 N1 x2	 O4 x2	 E11 4*30mm x4	 S7 60x60x15 x2
 H6 10*50mm x4	 E21 6*60mm x4	 H4 x3	
 H5 8*40mm x5	 E15 4*60mm x5	 J1 5*16mm x8	
 B1 6,3*50mm x5	 B ϕ 12mm x5	 D1 15/16 x40	
 C1 6*43mm x40	 D ϕ 20mm x40	 A1 8*30mm x40	

A

No	a*b	x
1	868x310	2
2	350x310	1
3	350x310	1
4	316x276	1
5	910x350	1
6	877x325	1

B

No	a*b	x
1	868x310	2
2	350x310	1
3	350x310	1
4	316x276	1
5	910x350	1
6	877x325	1

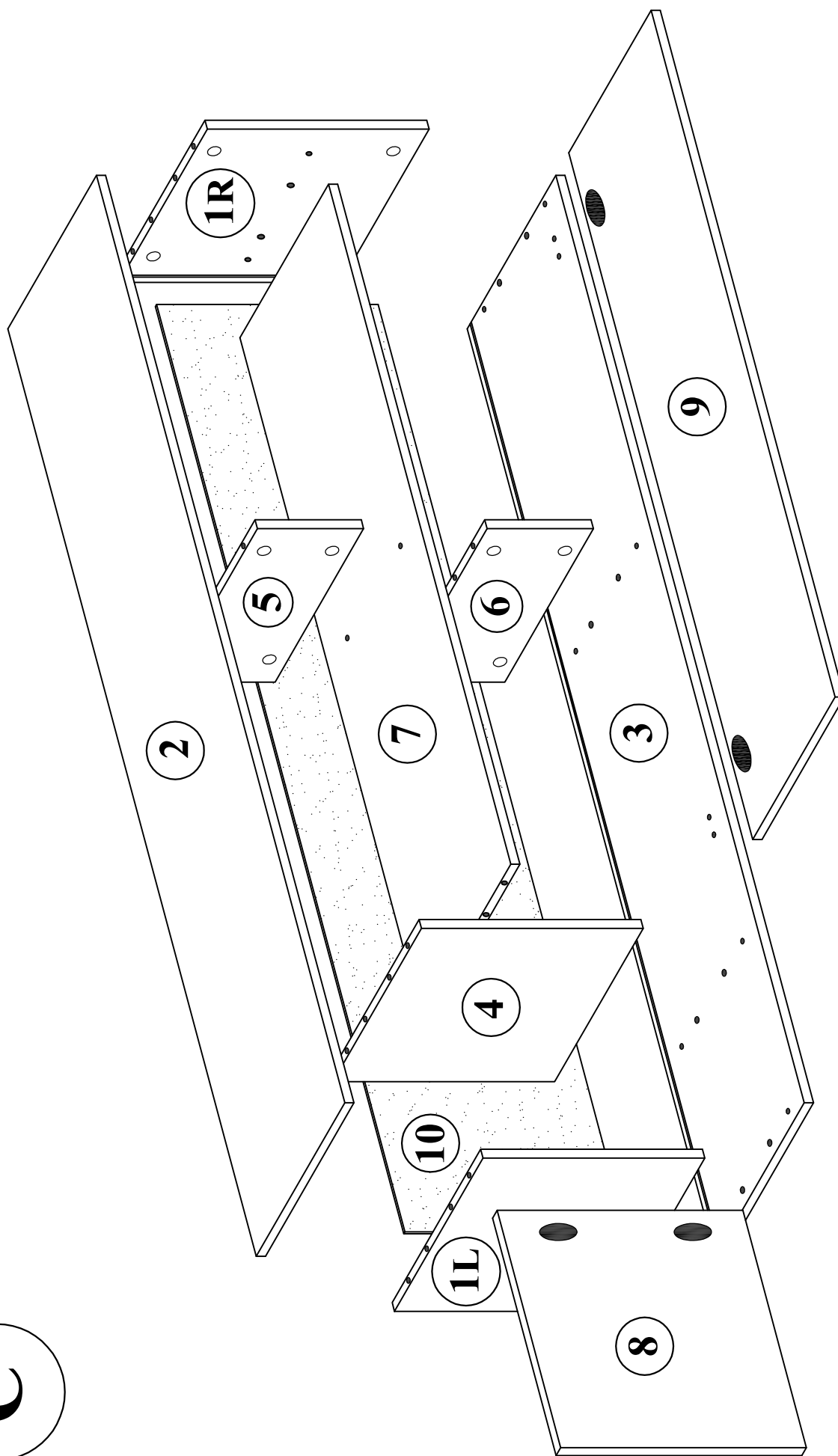
C


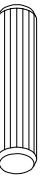


No	a*b	x
1	388x310	2
2	1680x310	1
3	1680x310	1
4	388x296	1
5	186x218	1
6	186x296	1
7	1230x296	1
8	430x430	1
9	1244x228	1
10	1655x397	1

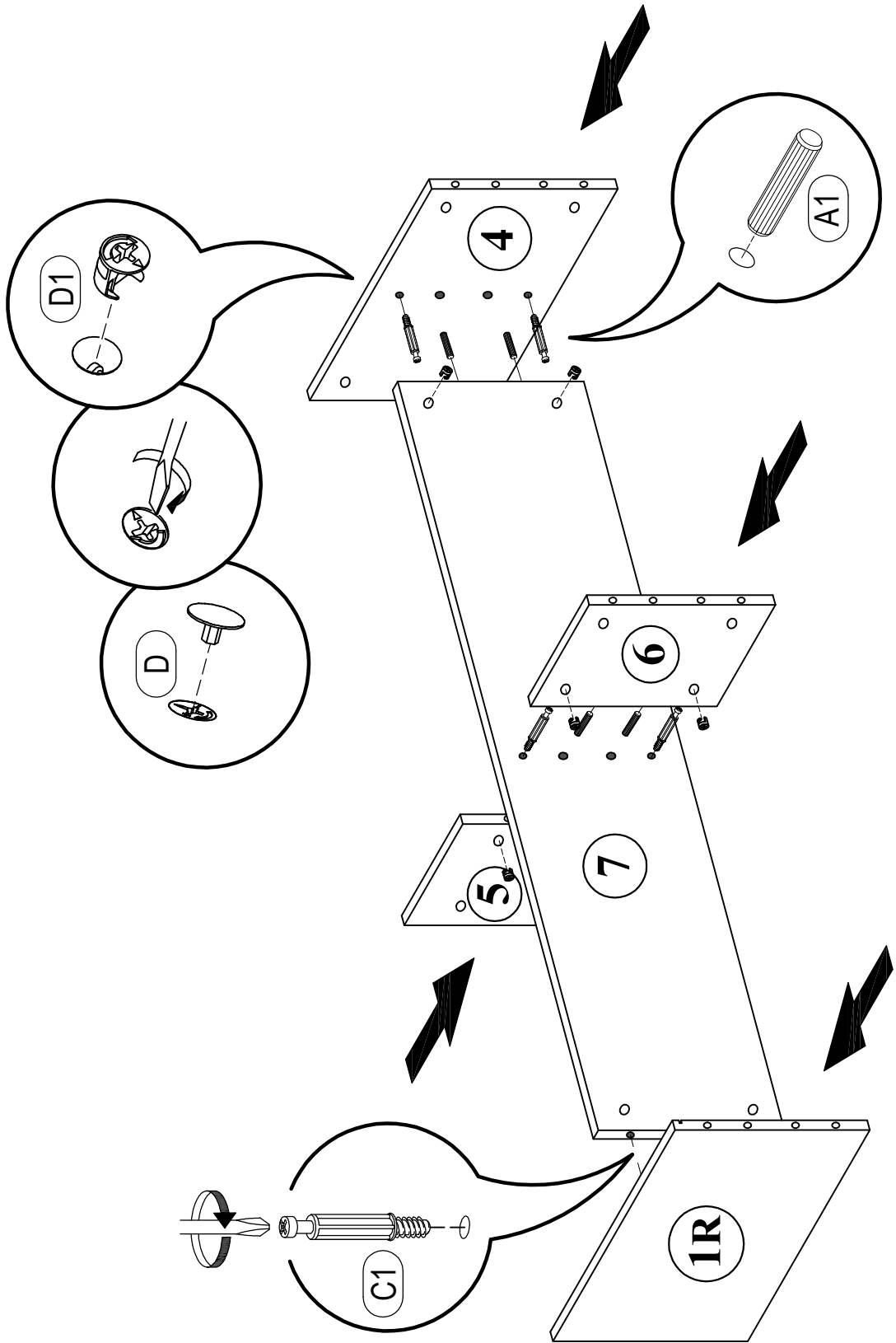
D




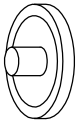
No	a*b	x
1	1680x200	1
2	1680x184	1

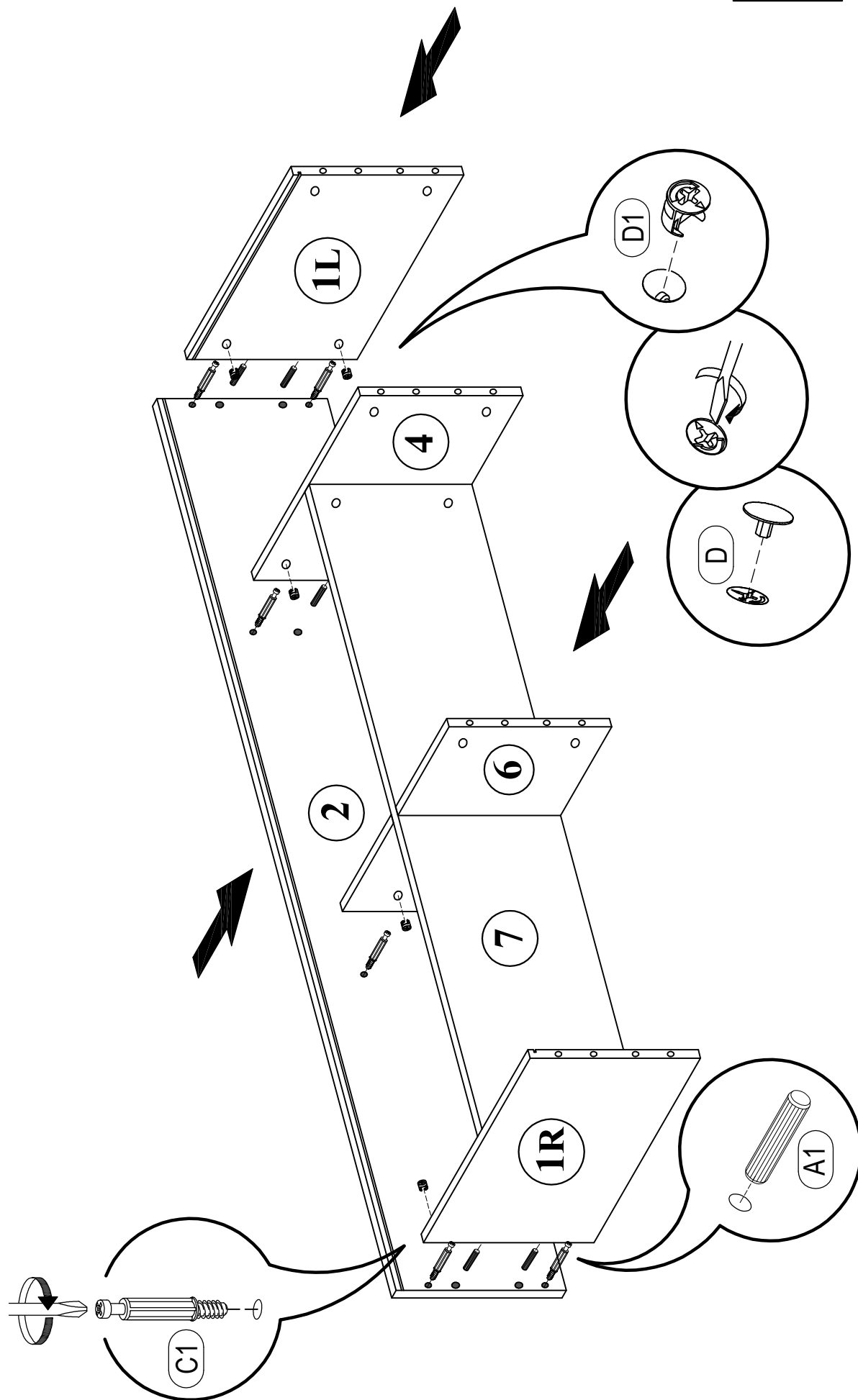
C

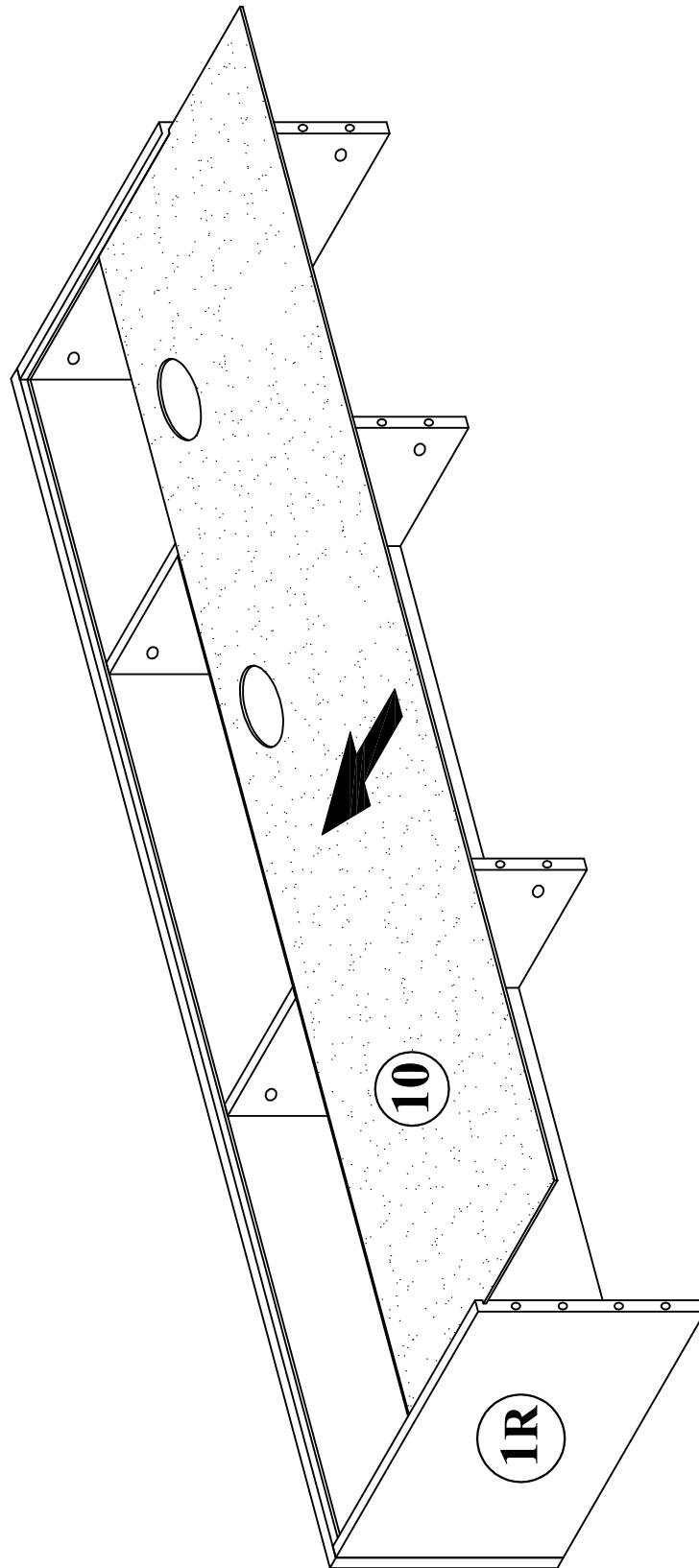


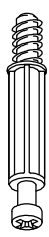
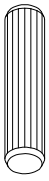

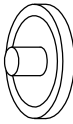
	C1	6*43mm	x8
	A1	8*30mm	x6
	D1	15/16	x8
	D	φ20mm	x8

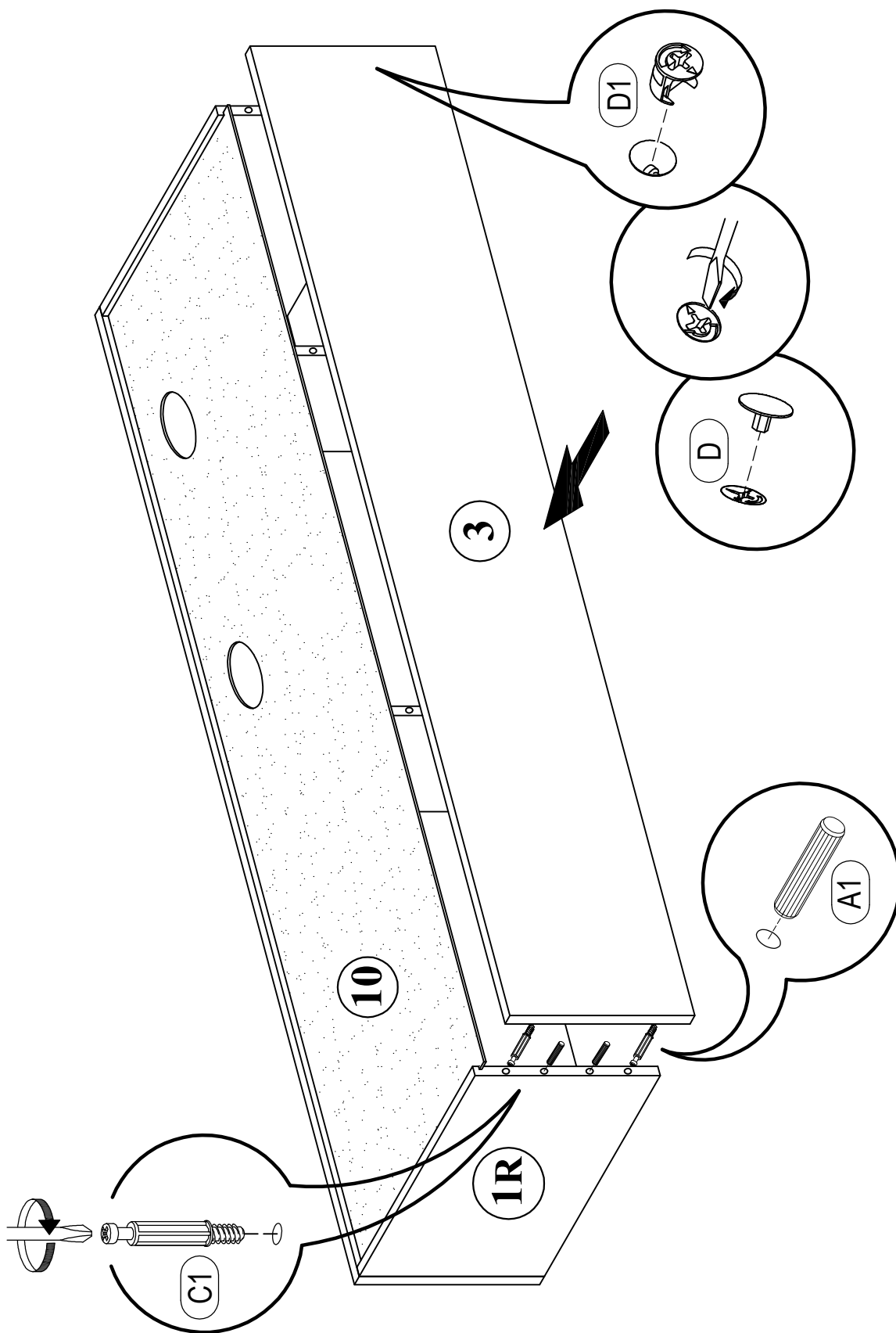


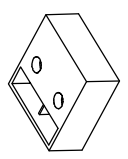

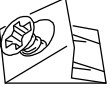
	C1	6*43mm	x8
	A1	8*30mm	x6
	D1	15/16	x8
	D	φ20mm	x8

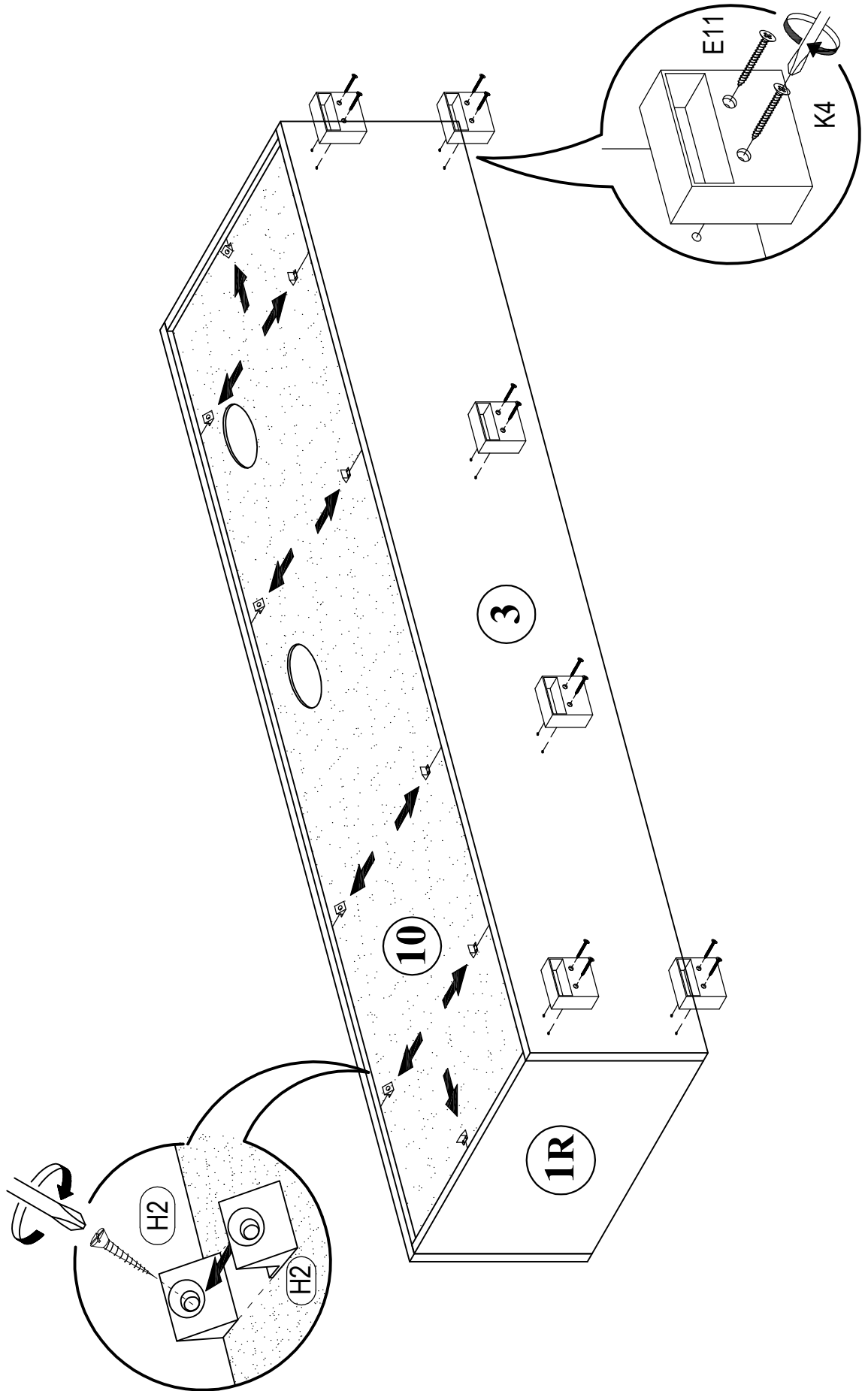


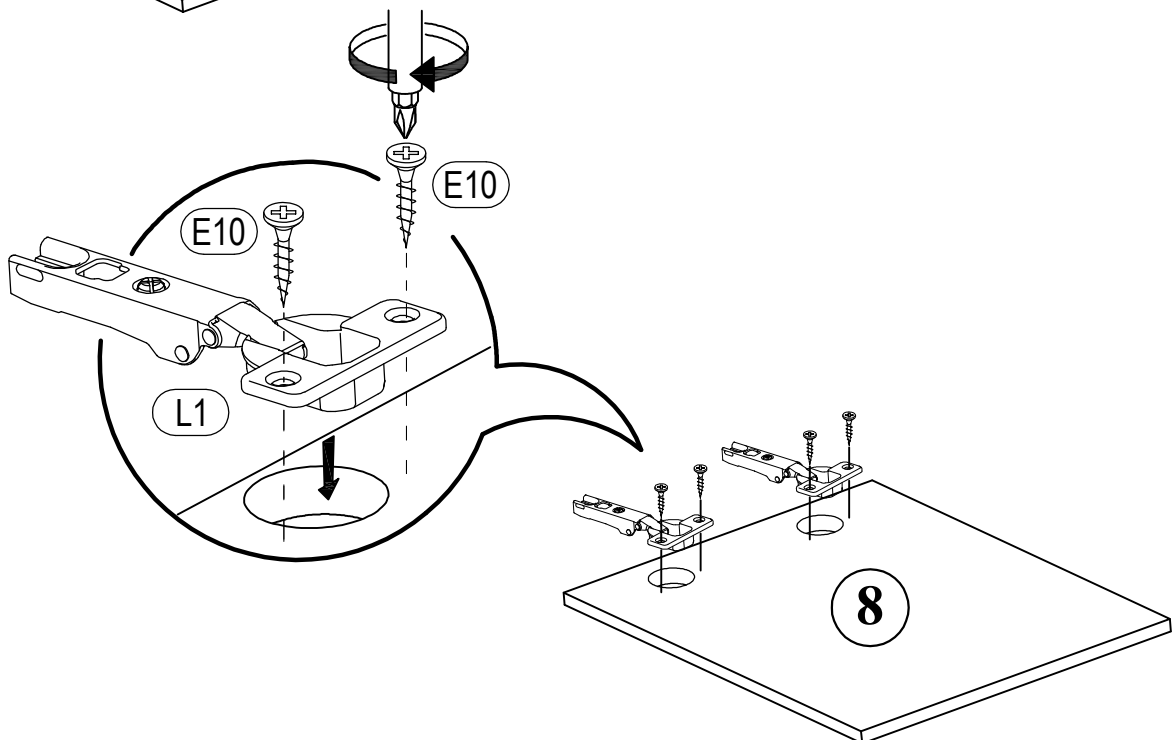
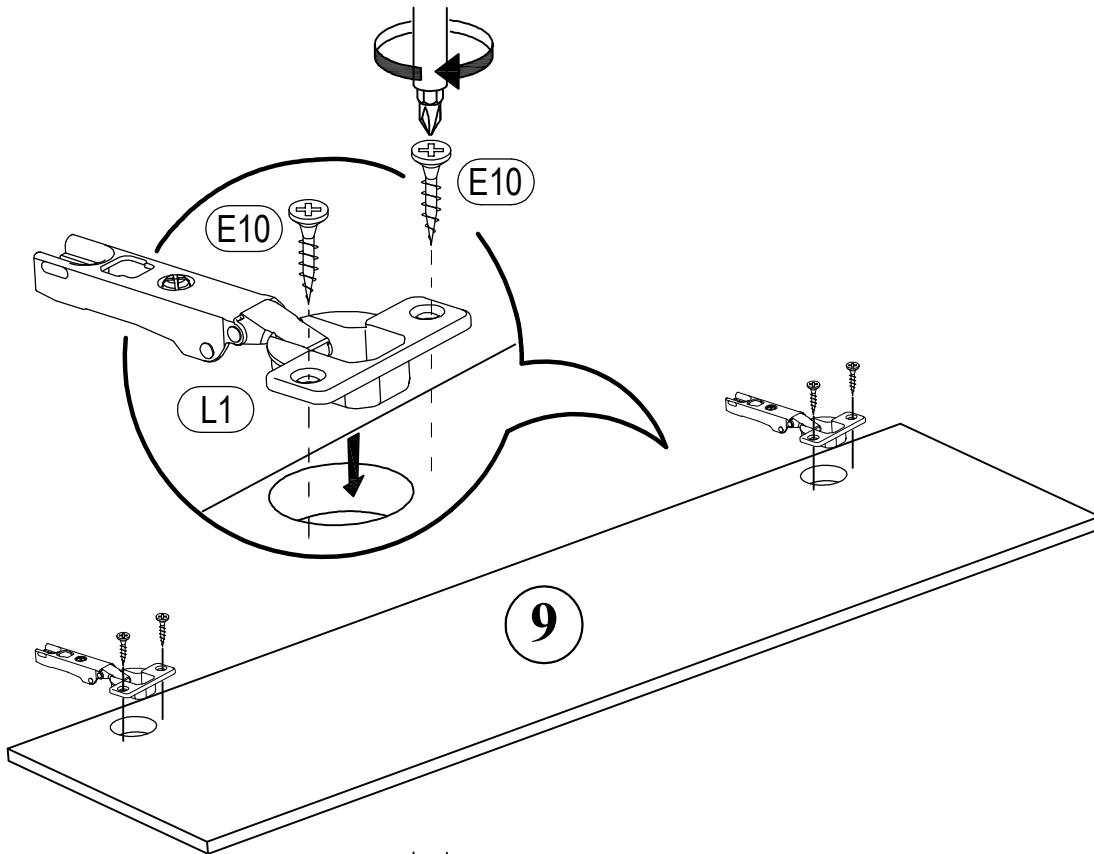
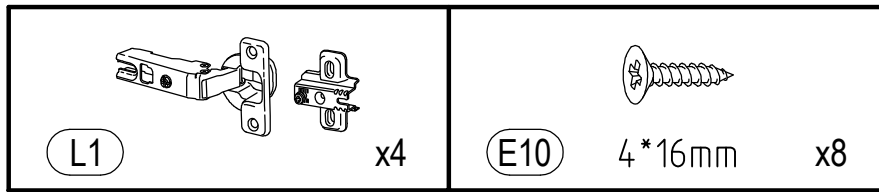




 C1	6*43mm	x8
 A1	8*30mm	x8
 D1	15/16	x8
 D	φ20mm	x8

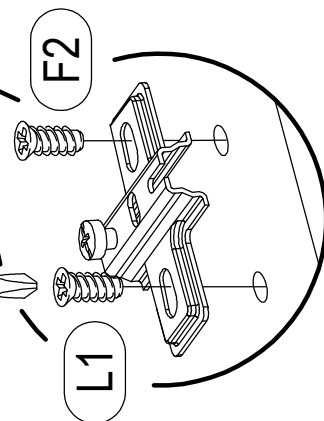
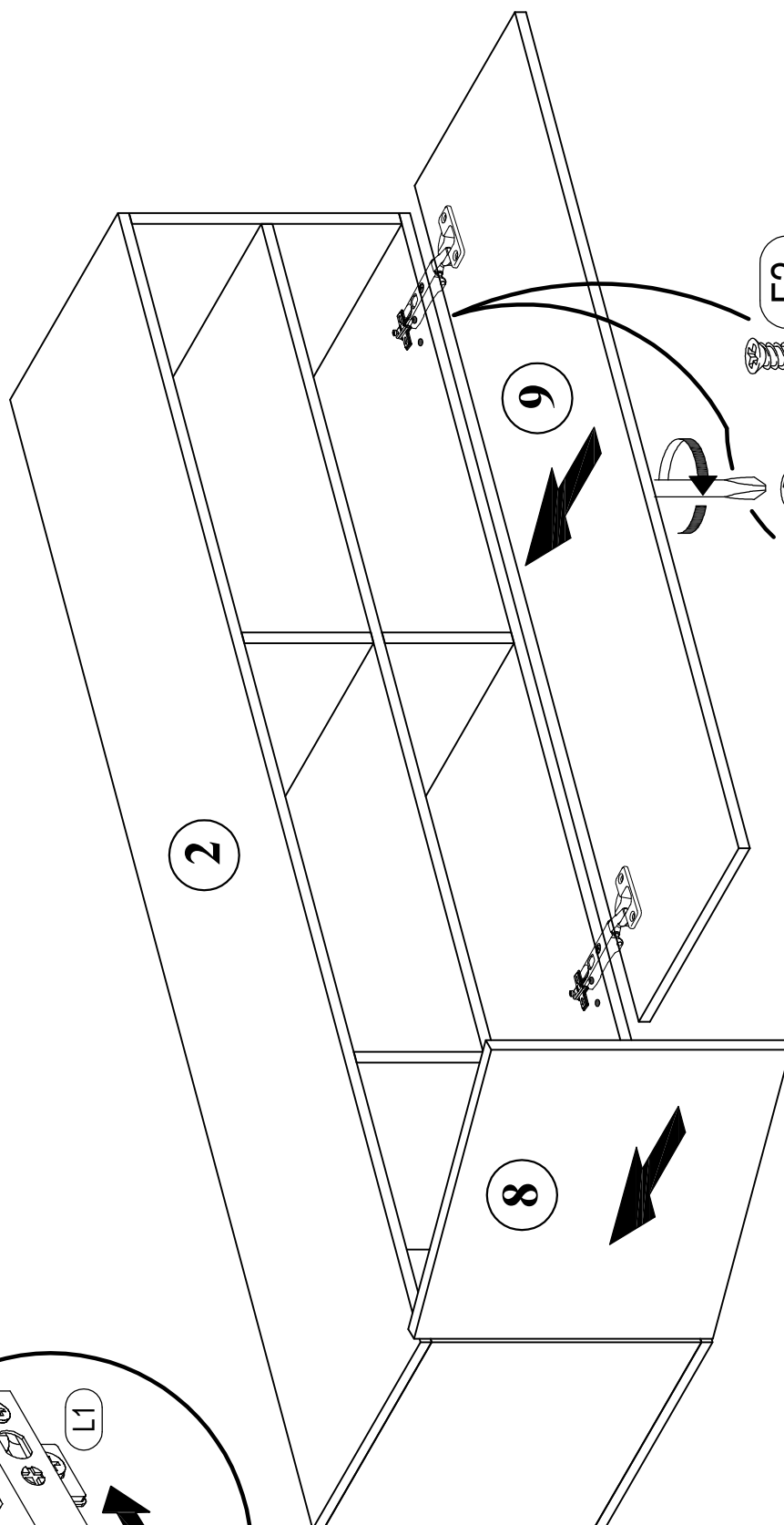
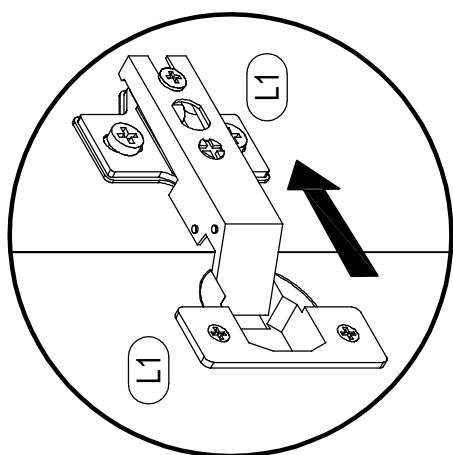



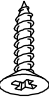
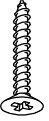
 K4	x6	 E11 4 * 35mm	x12	 H2	x10
---	----	---	-----	---	-----

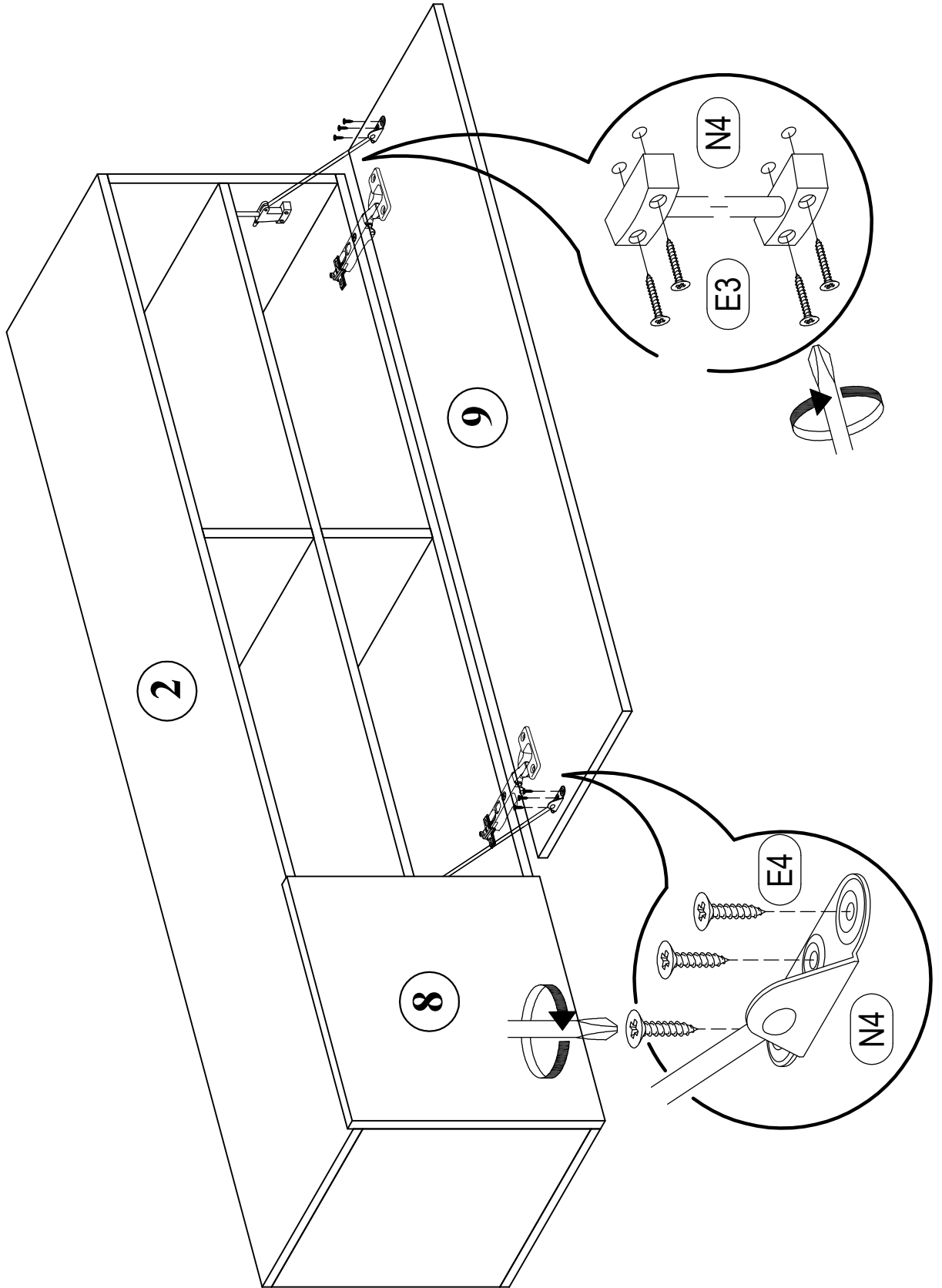


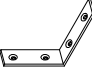





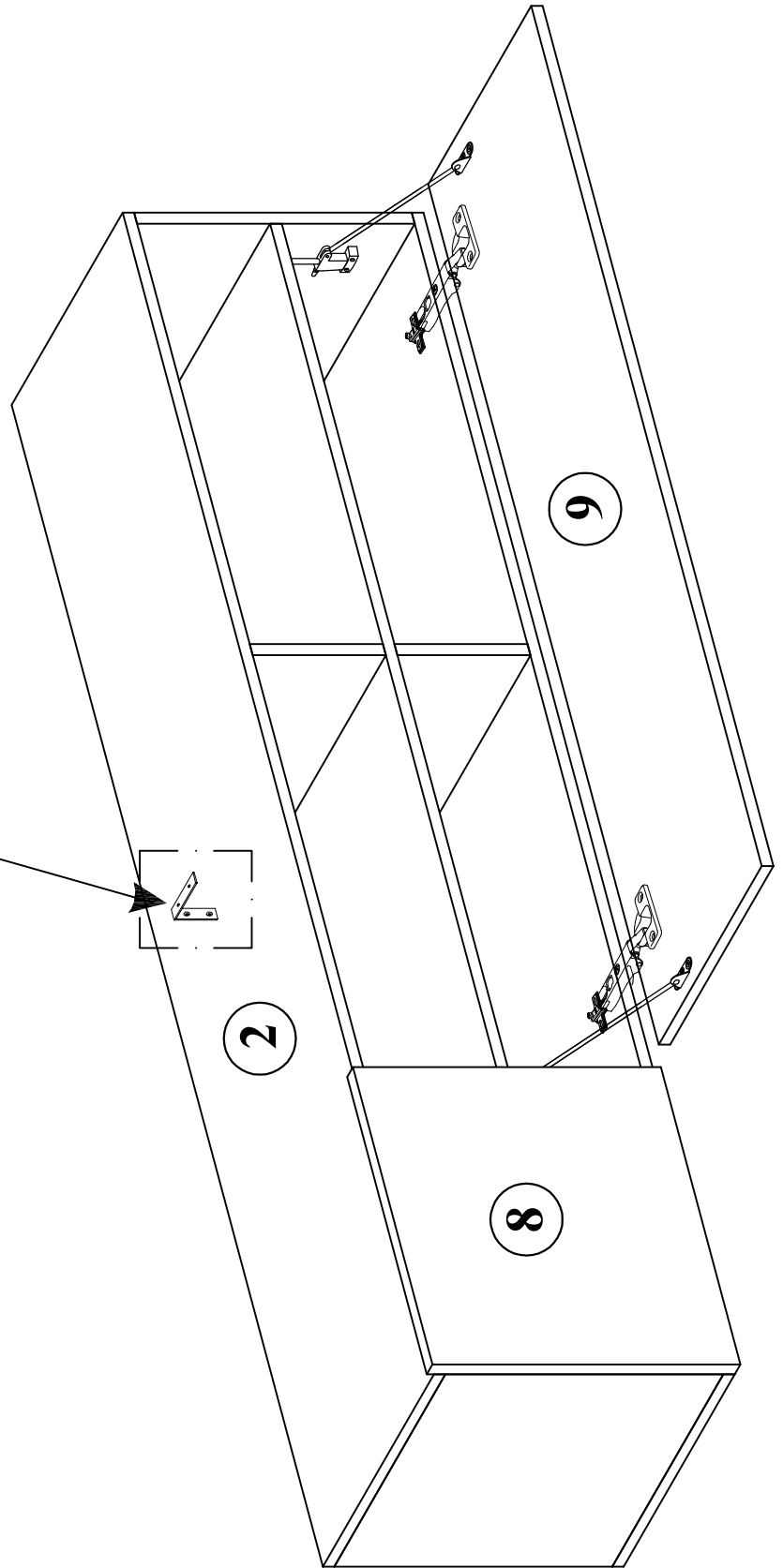
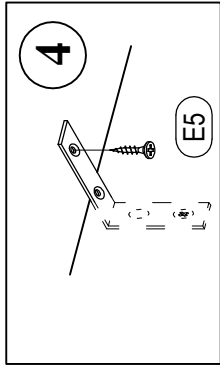
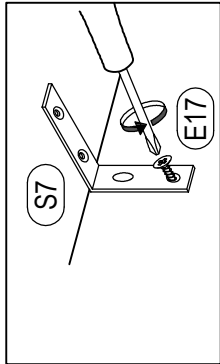
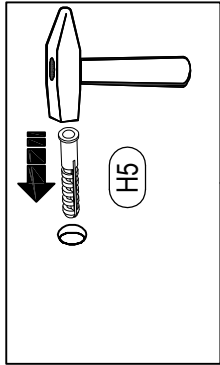
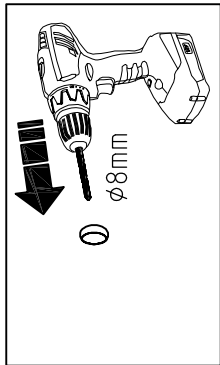
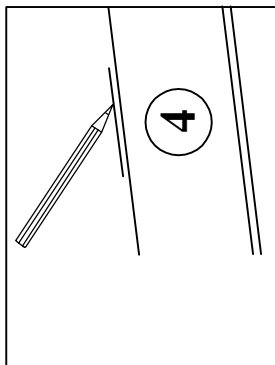
	x4		6,3*13mm	x8
(L1)		(F2)		



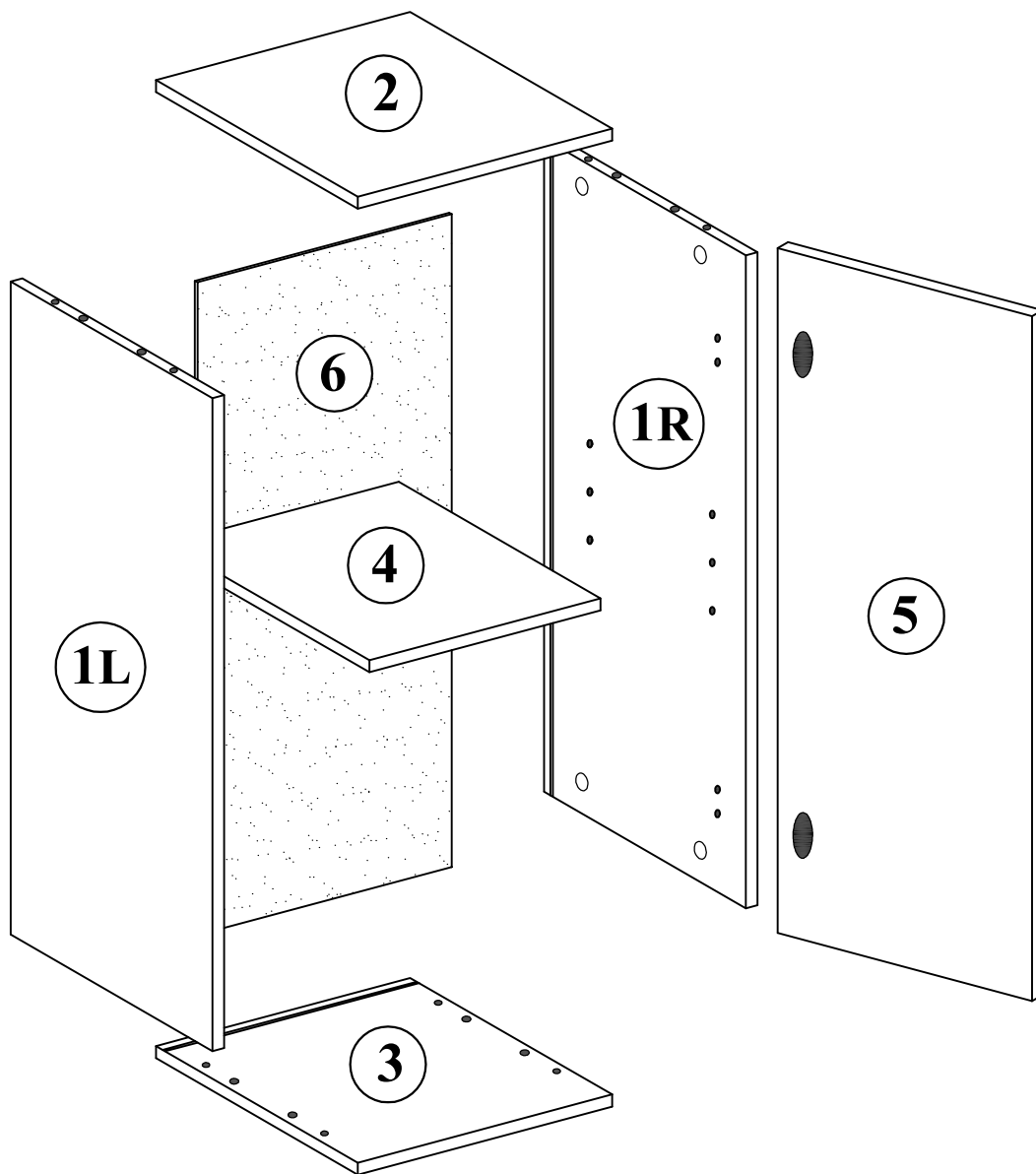
 N4 R+L x2	 E4 3,5*16 x8	 E3 3*20mm x16
--	---	--

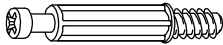
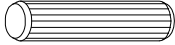

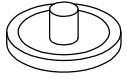


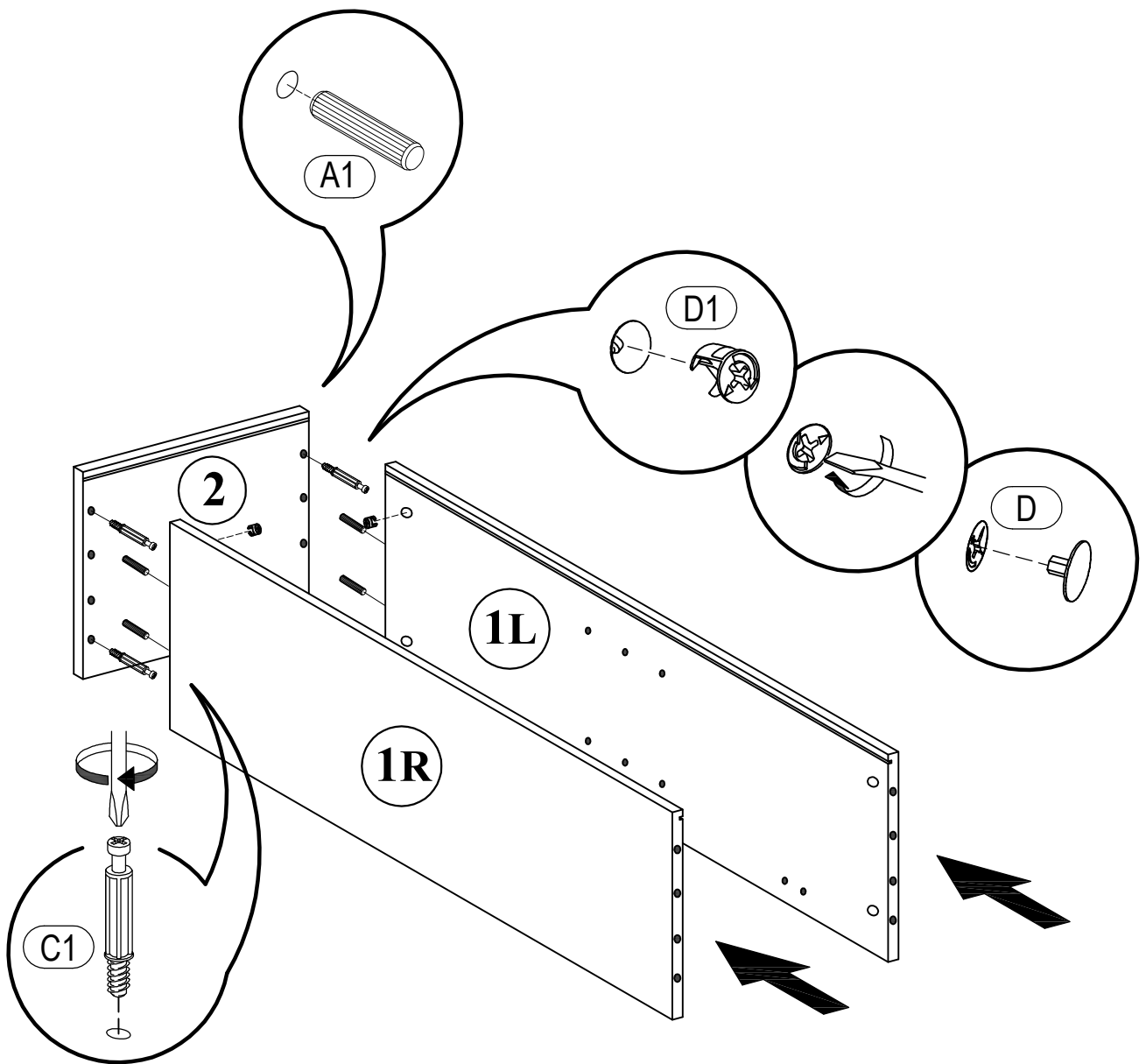
 <p>(S7) 60x60x15 x1</p>	 <p>(E5) 3,5*16mm x2</p>	 <p>(E17) 4*60mm x1</p>	 <p>(H5) 8*50mm x1</p>
---	---	--	---

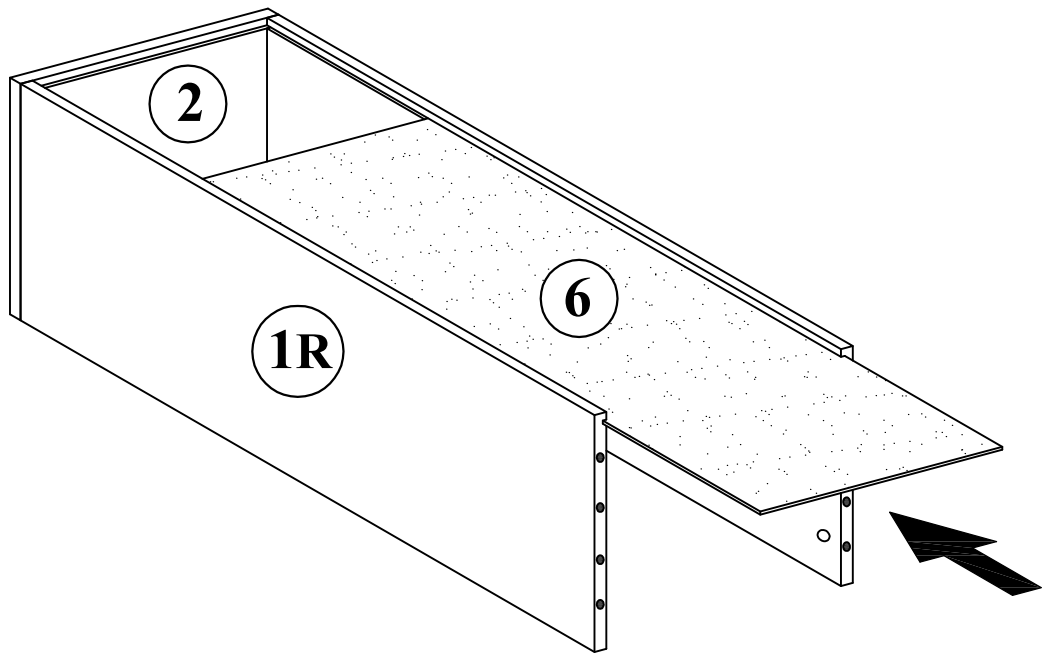


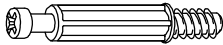
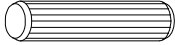

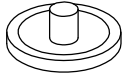
B

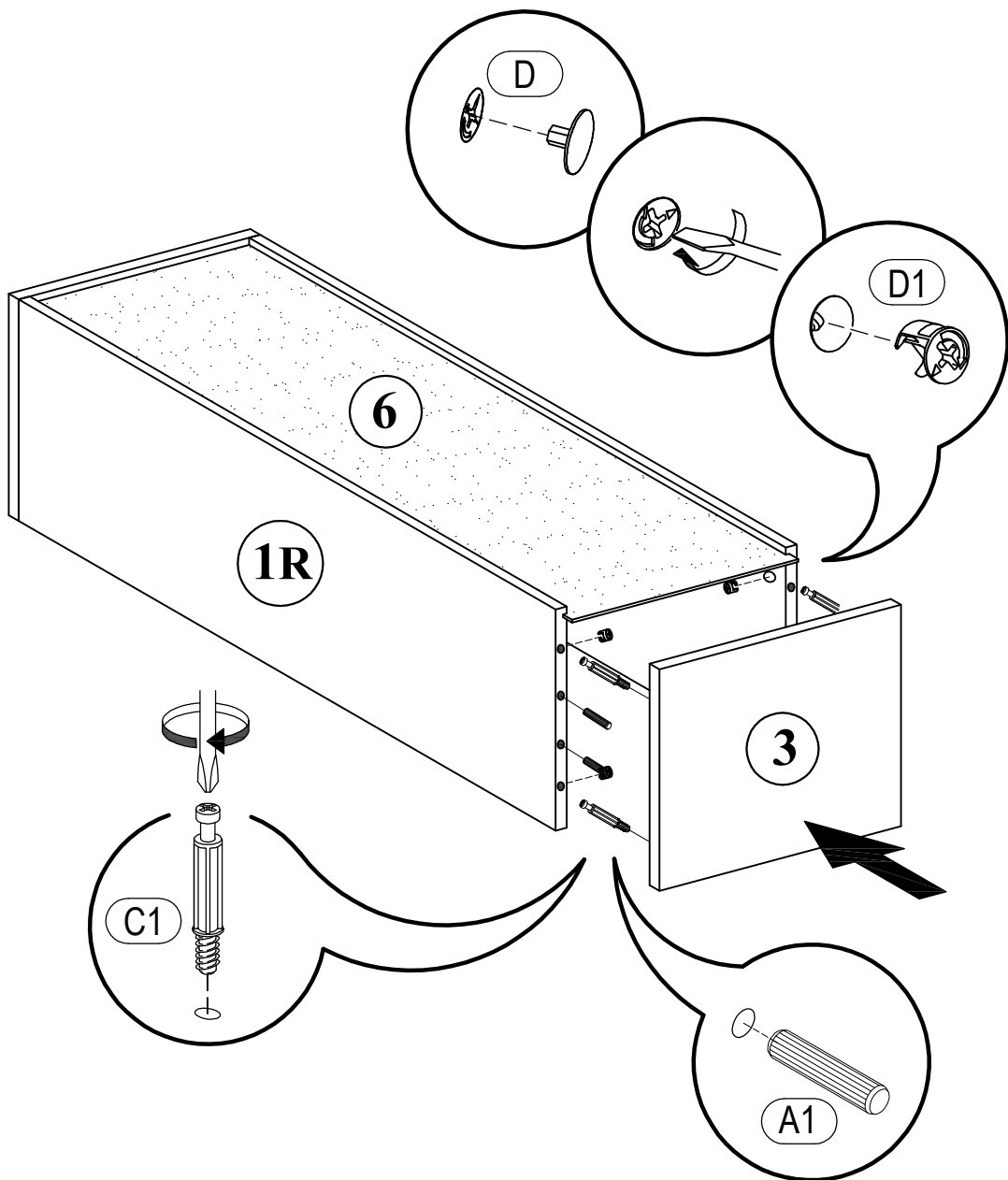


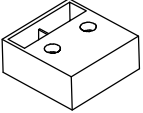
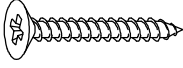
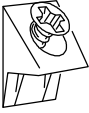
 C1 6*43mm x4	 A1 8*30mm x4	 D1 15/16 x4
 D ϕ 20mm x4		

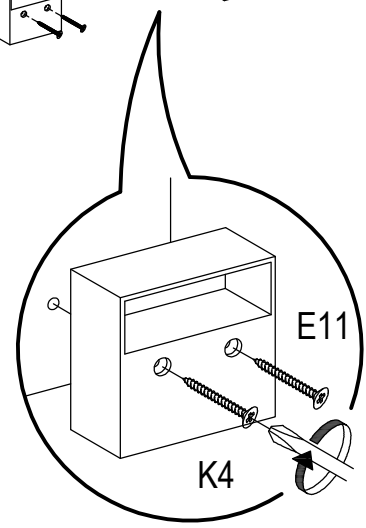
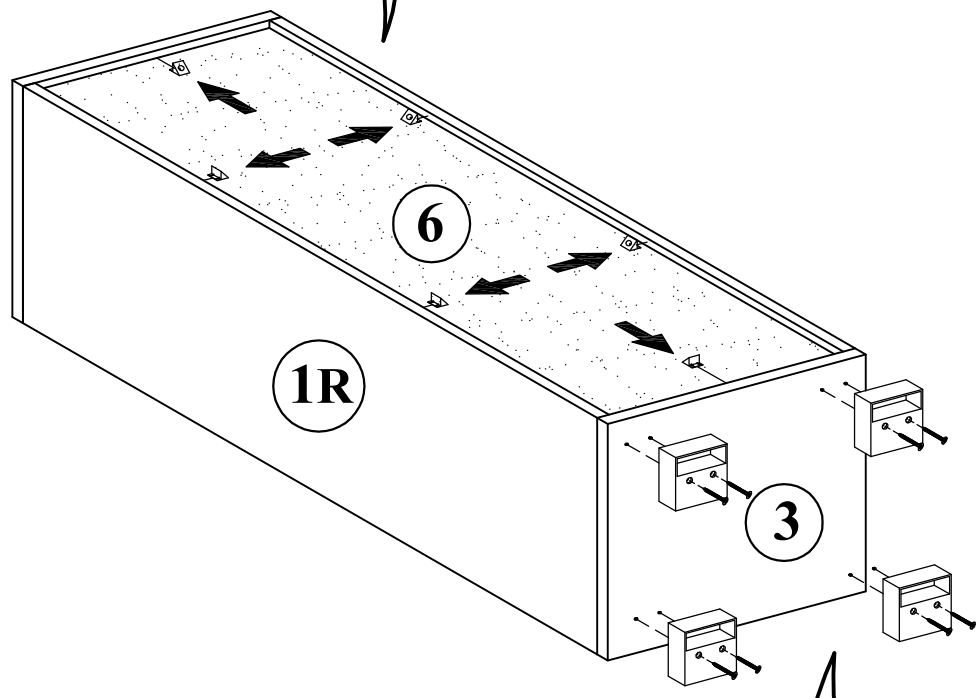
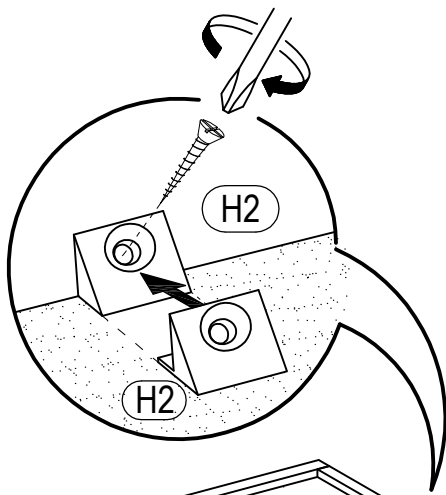


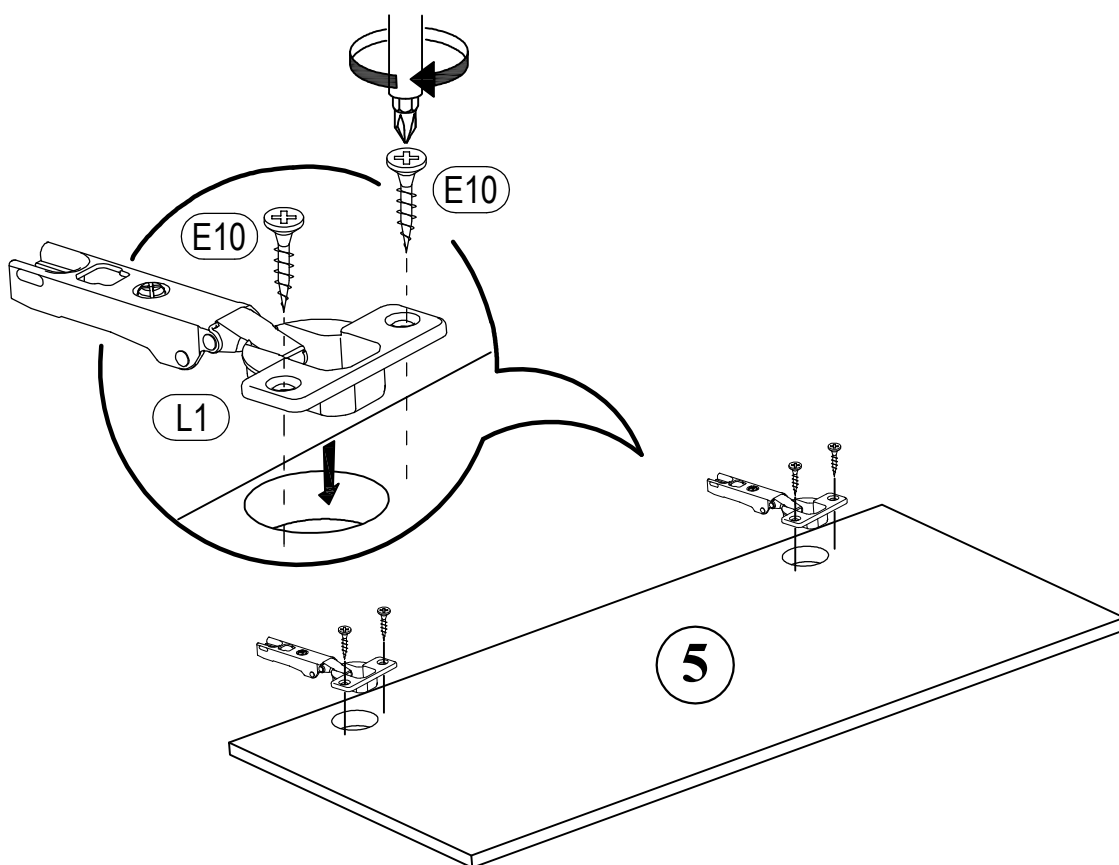
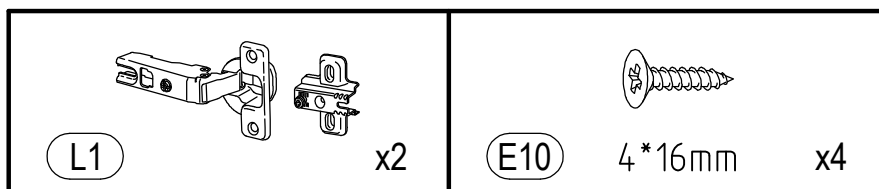



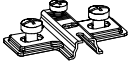
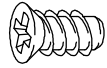
 C1 6*43mm x4	 A1 8*30mm x4	 D1 15/16 x4
 D ϕ 20mm x4		

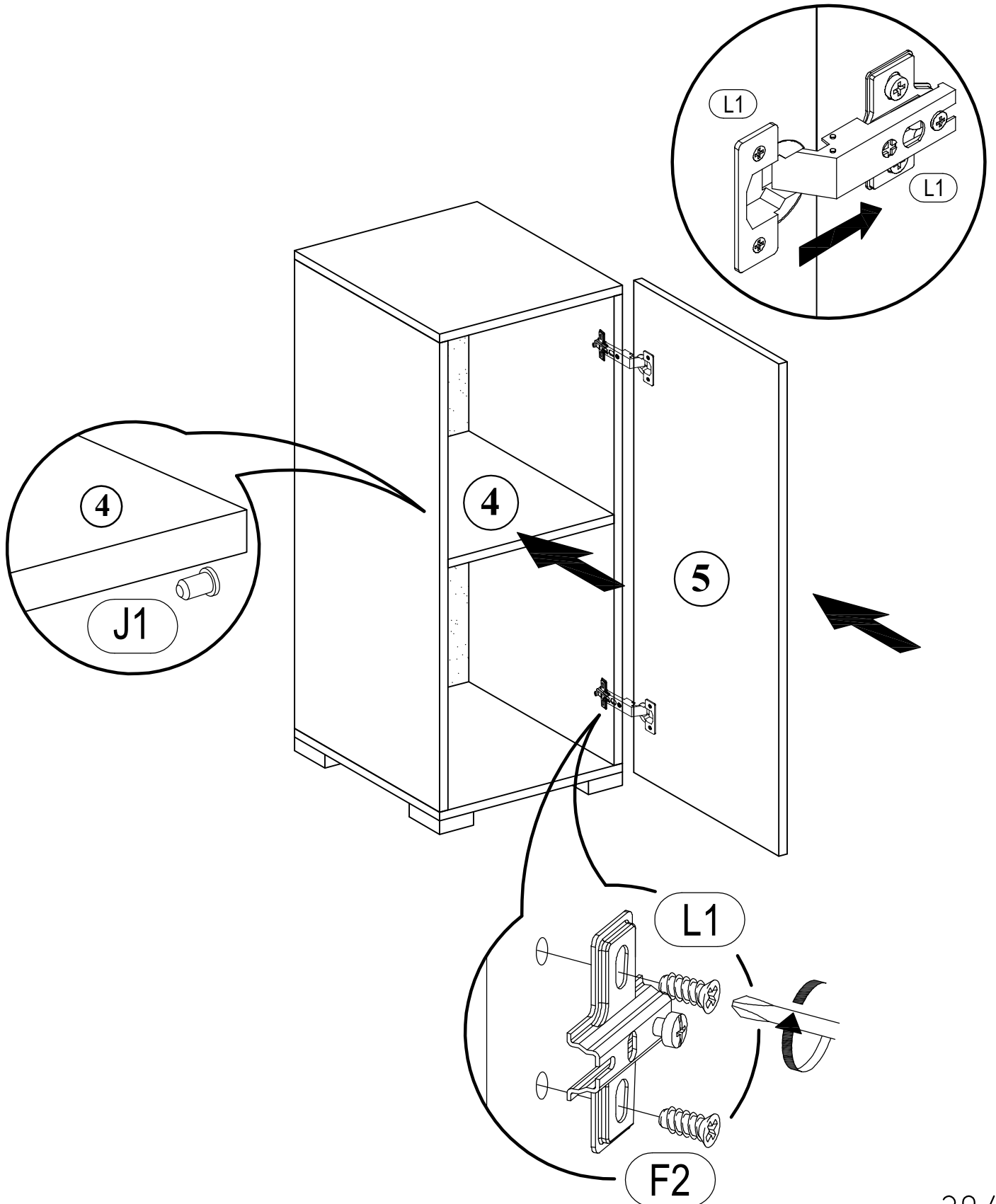



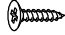


 <p>(K4) x4</p>	 <p>(E11) 4*35mm x8</p>	 <p>(H2) x6</p>
--	--	--

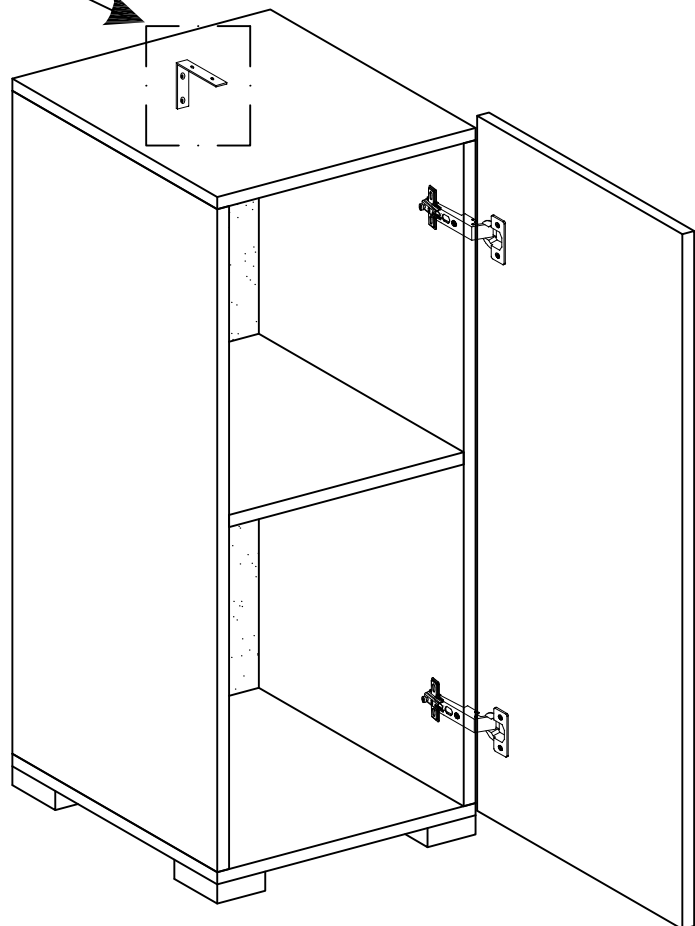
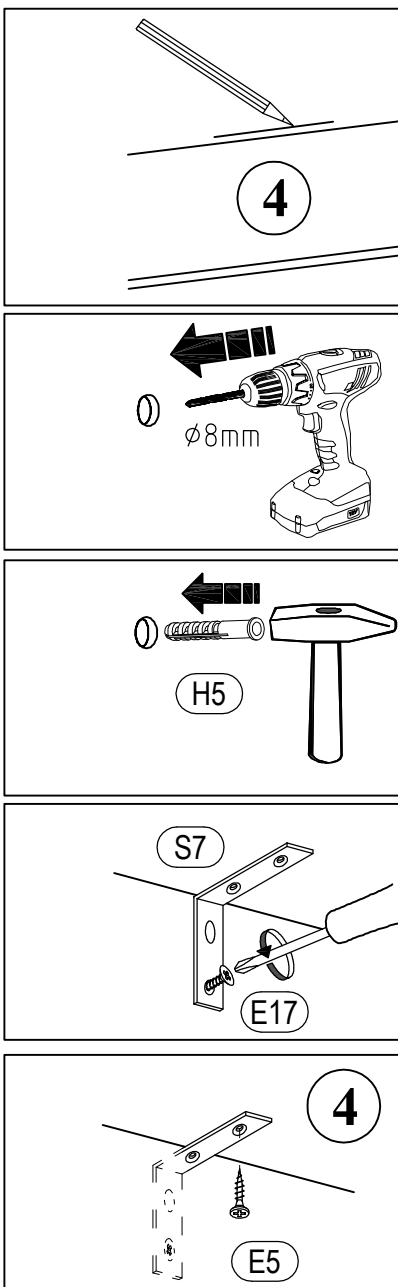




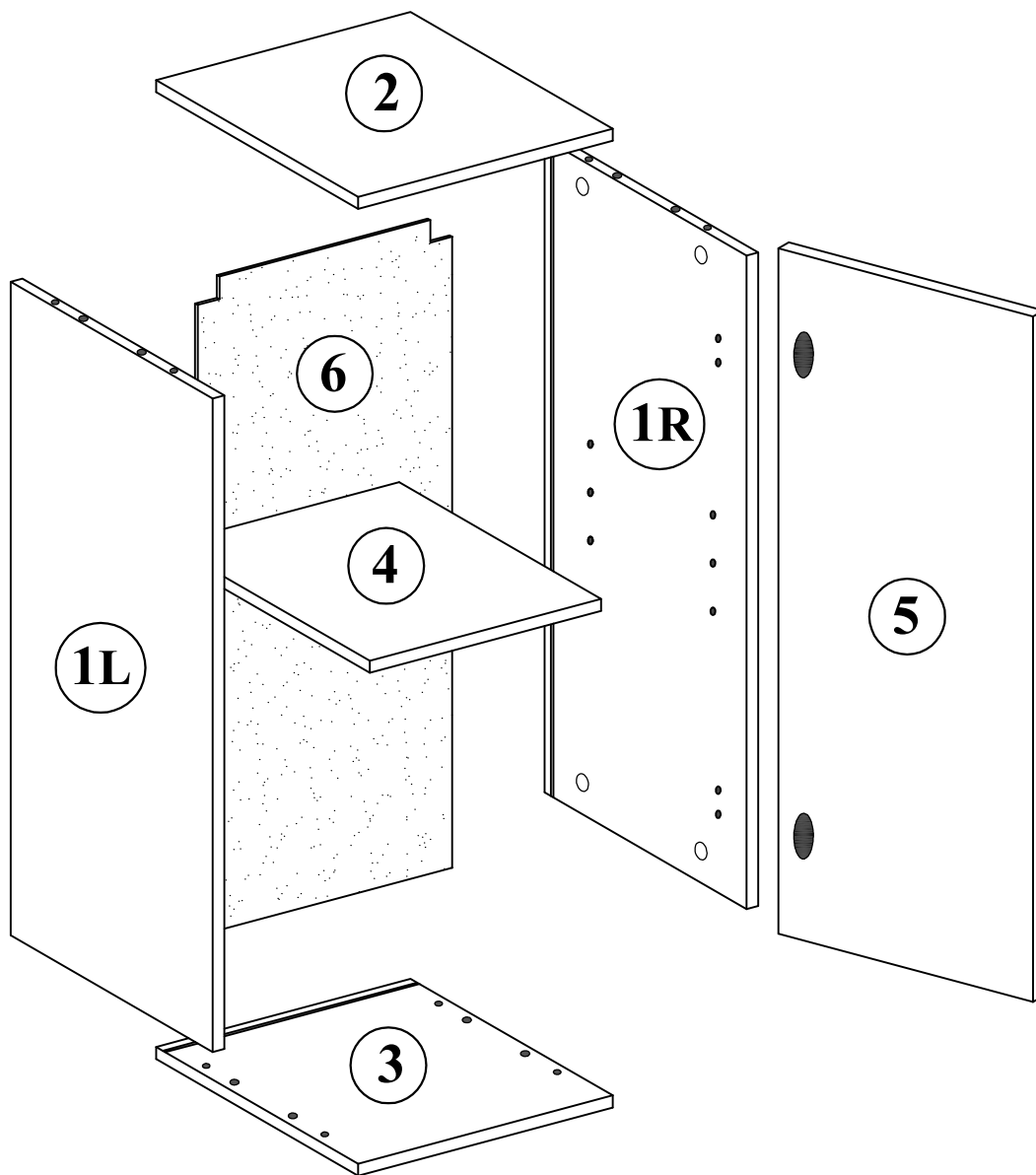
 J1 5*16mm x4	 L1 x2	 F2 6,3*13mm x4
--	---	--

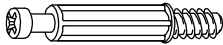
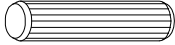

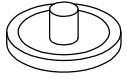


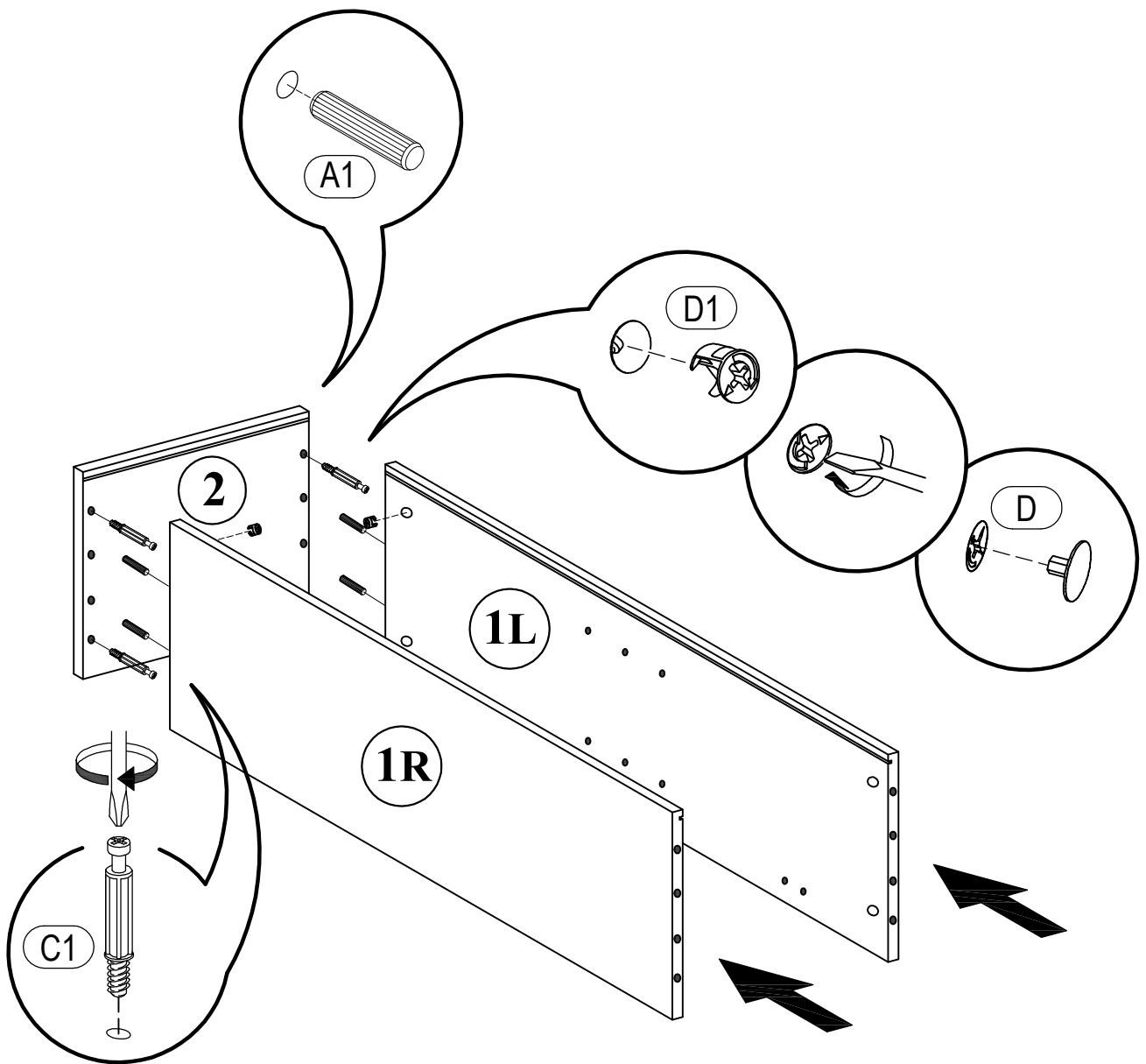
 (S7) 60x60x15 x1	 (E5) 3,5*16mm x2	 (E17) 4*60mm x1
 (H5) 8*50mm x1		

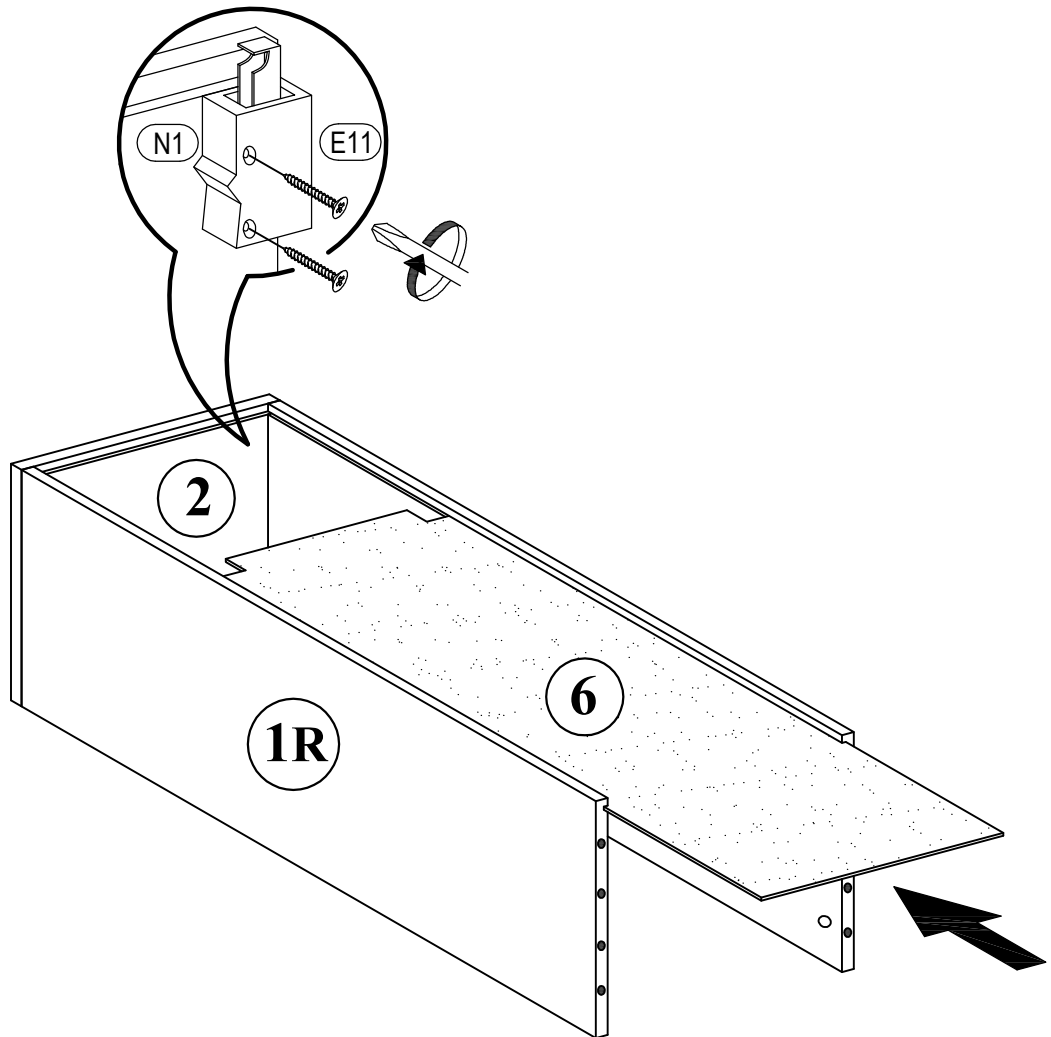
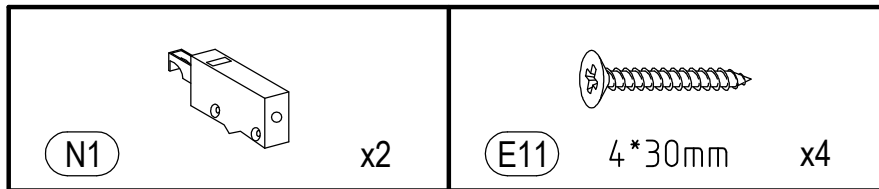


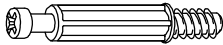
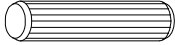

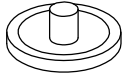
A

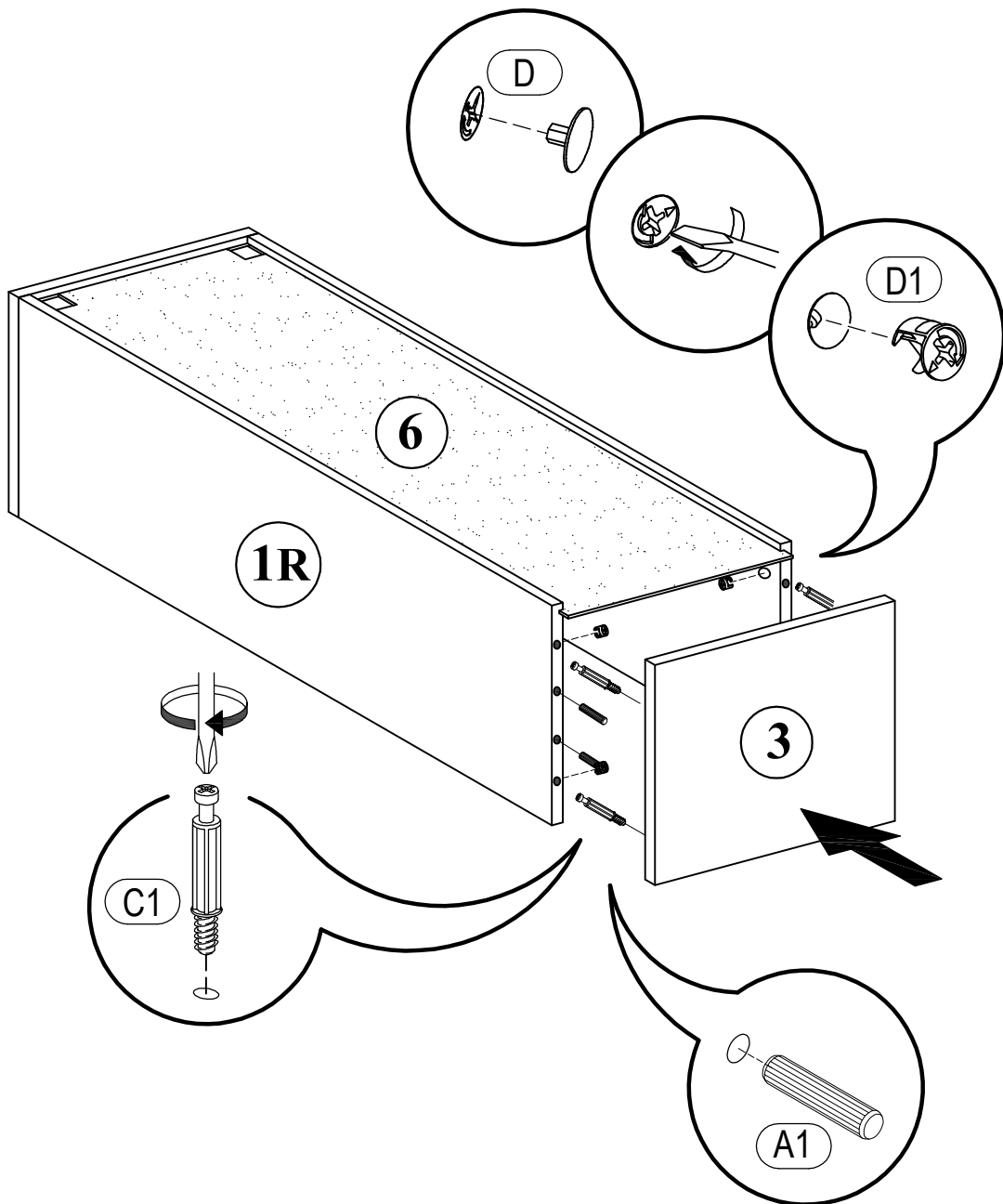


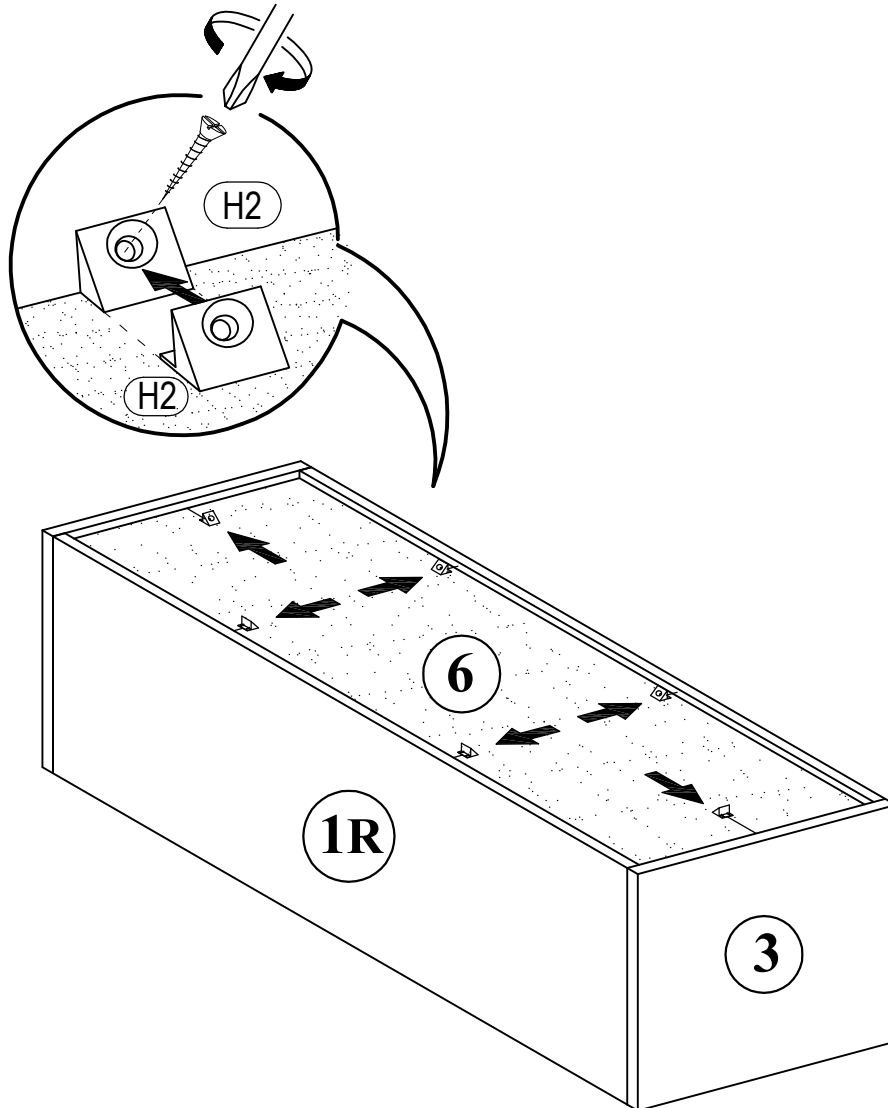
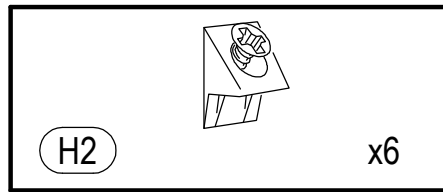
 C1 6*43mm x4	 A1 8*30mm x4	 D1 15/16 x4
 D ϕ 20mm x4		

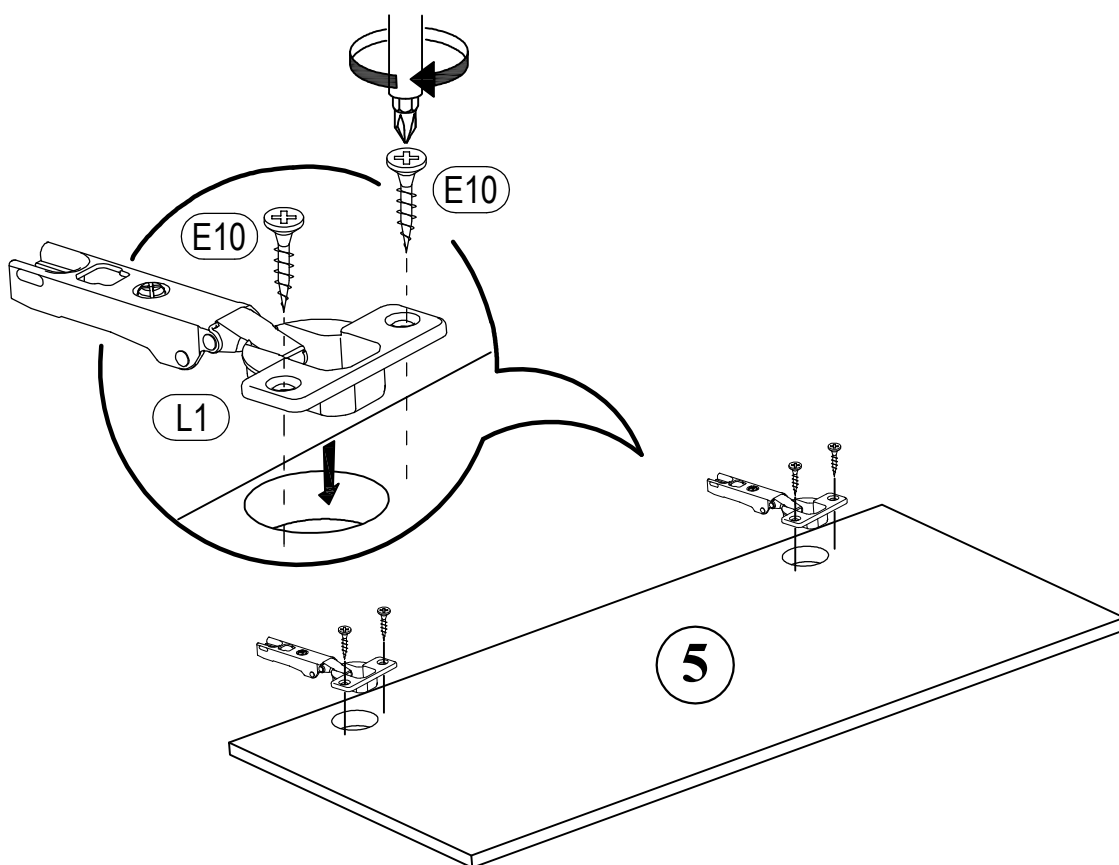
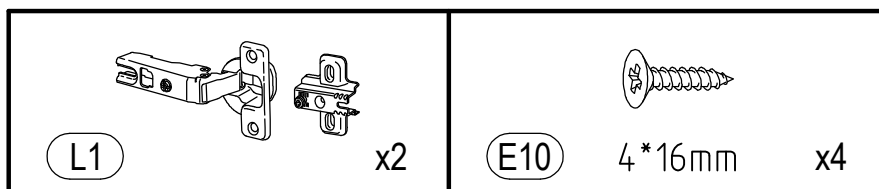



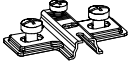
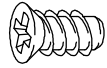


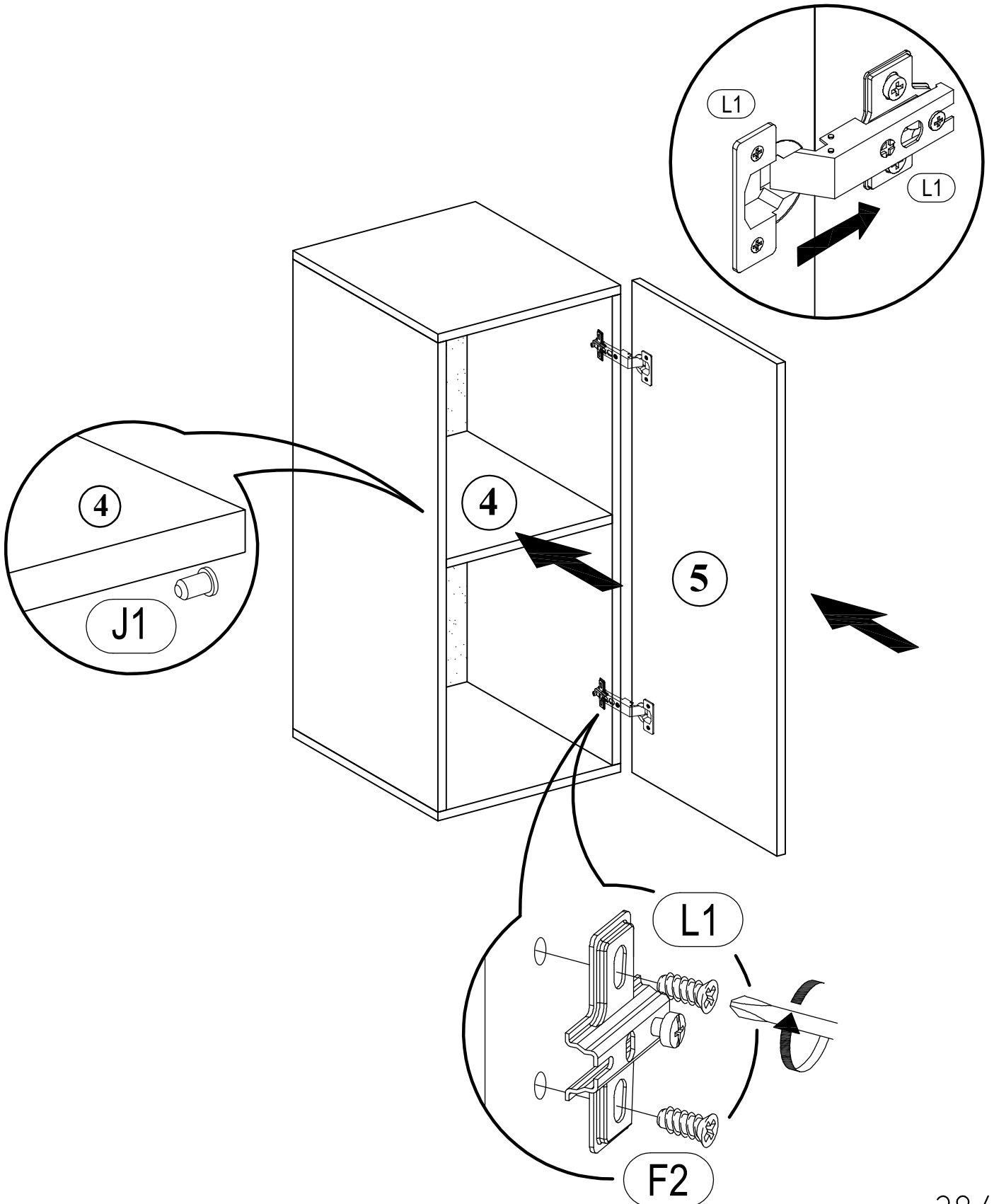
 C1 6*43mm x4	 A1 8*30mm x4	 D1 15/16 x4
 D ϕ 20mm x4		

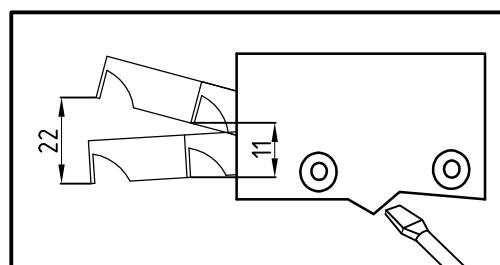
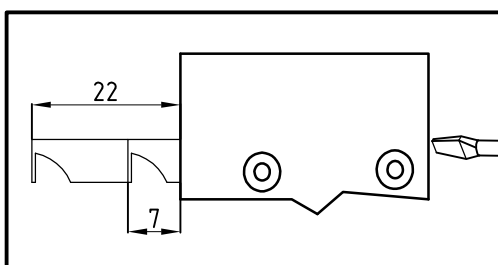
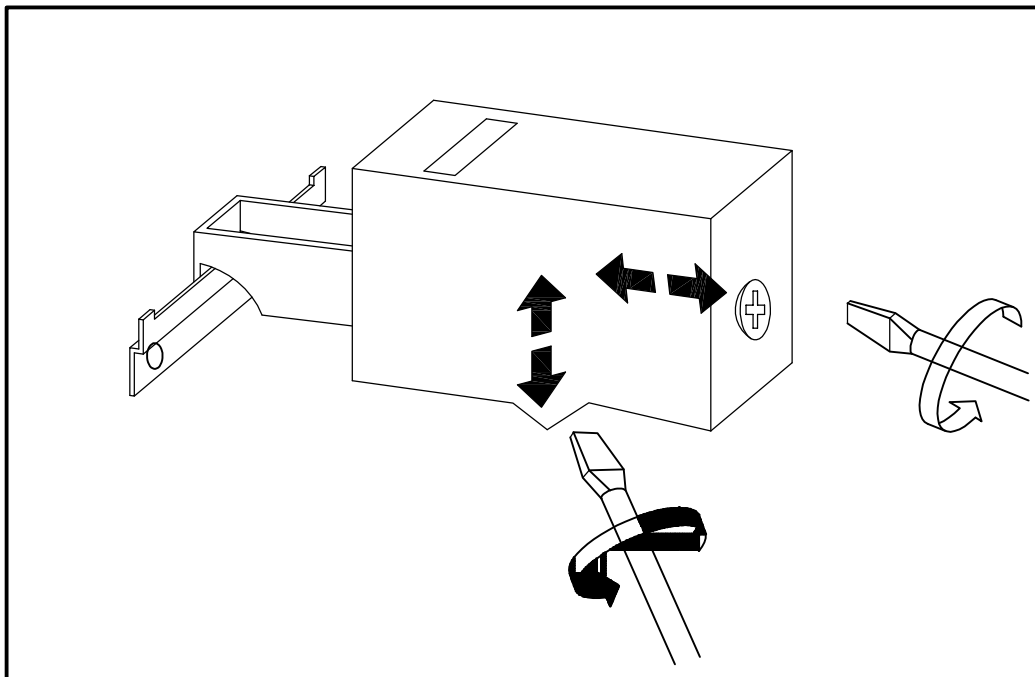
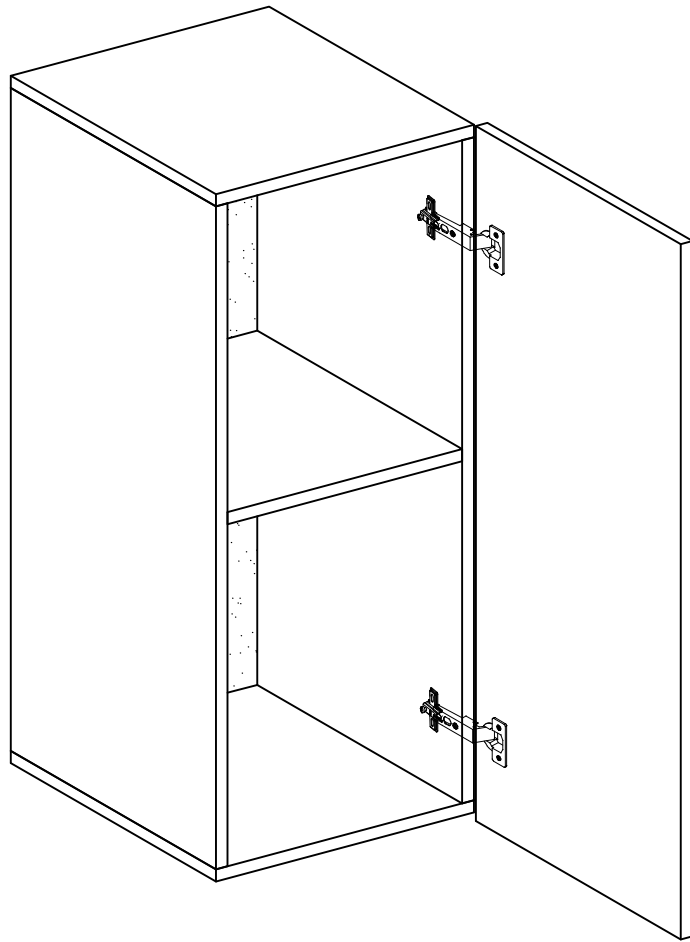




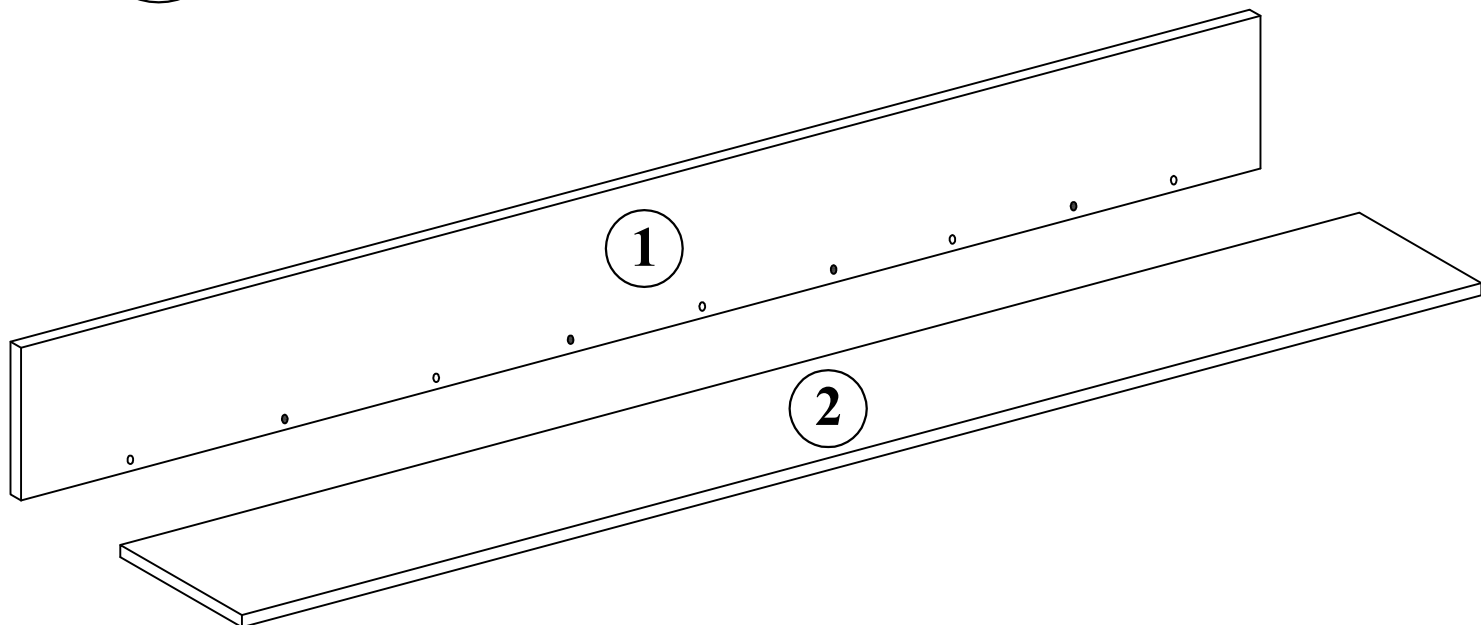




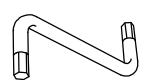

 J1 5*16mm x4	 L1 x2	 F2 6,3*13mm x4
--	---	--





D



 B1 6,3*50mm x5	 B ϕ 12mm x5	 R4 N°4 x1
 A1 8*30mm x4		

