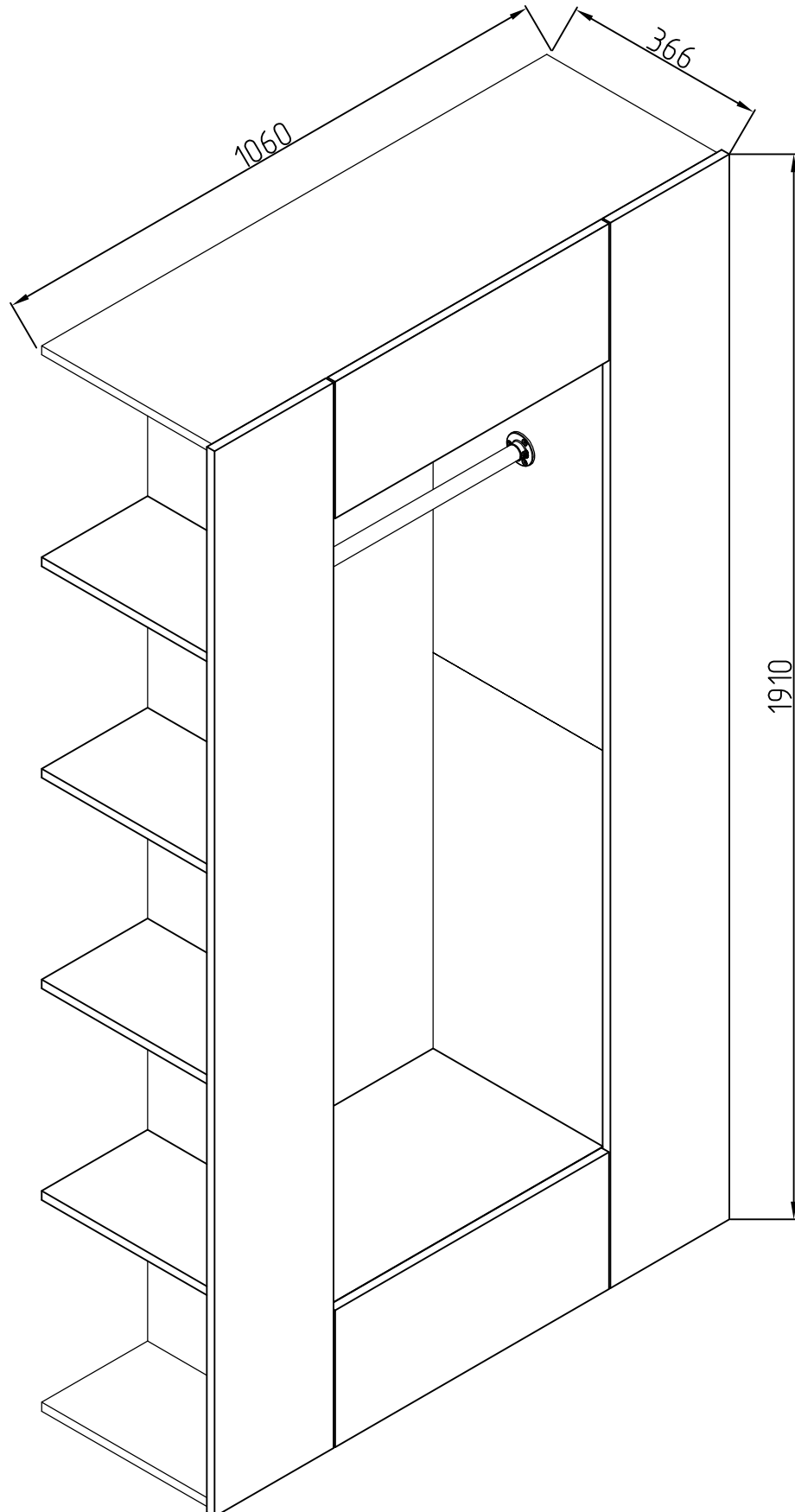
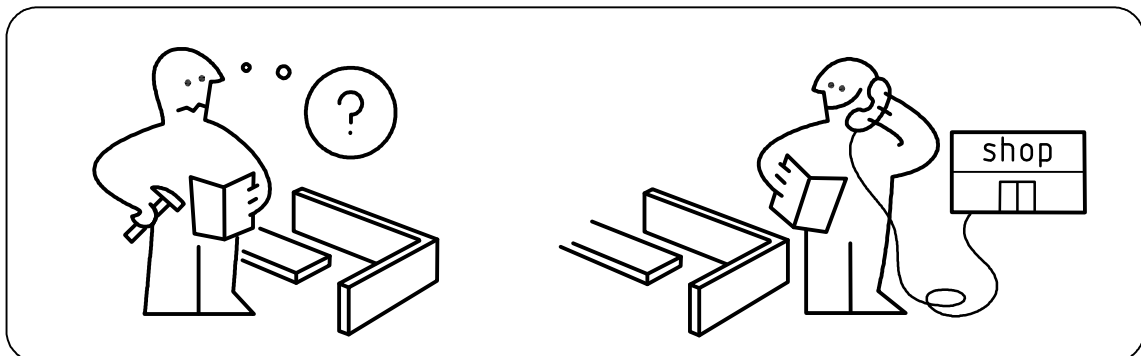
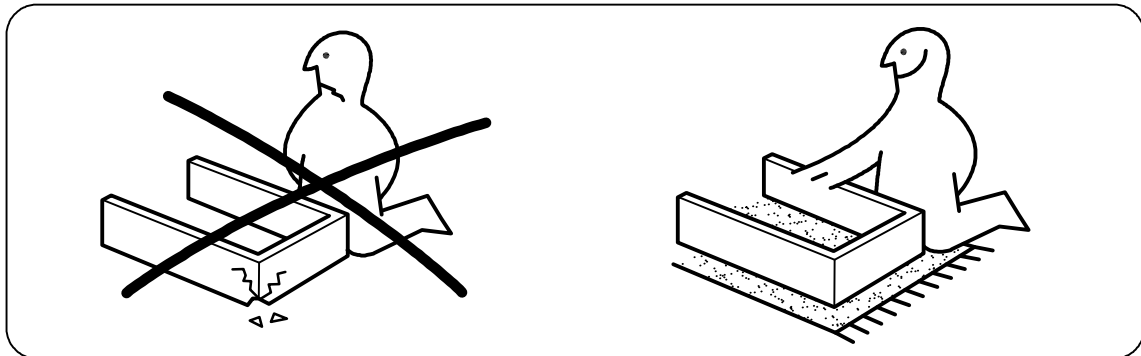
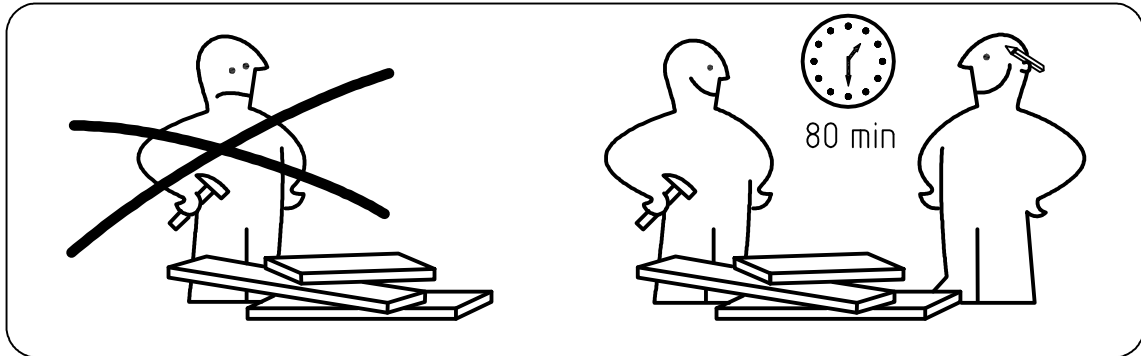
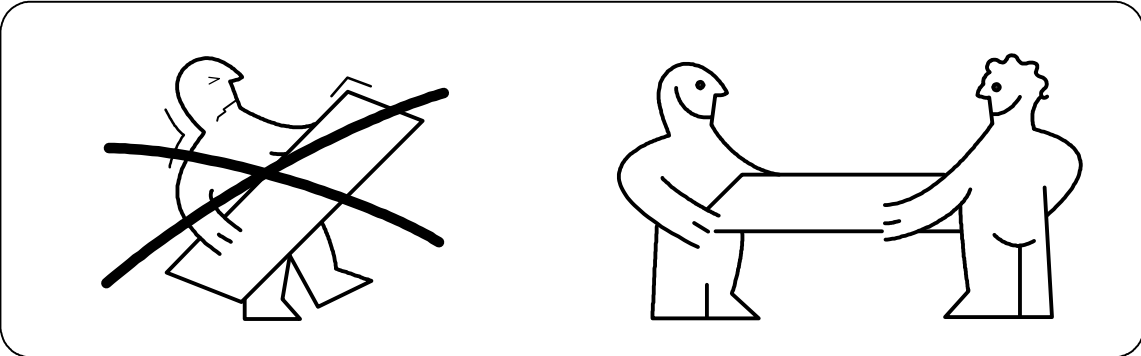
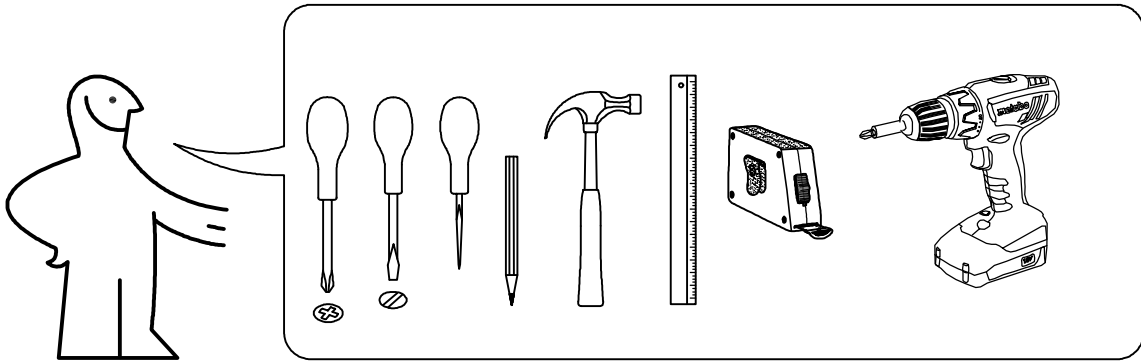


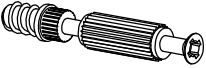
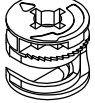


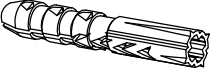
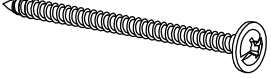
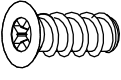

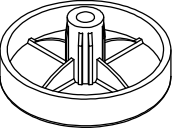
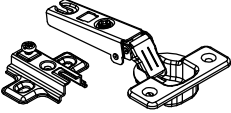
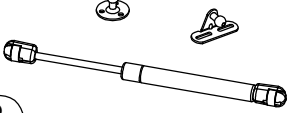
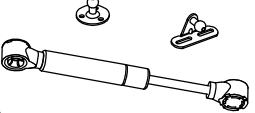

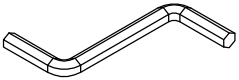
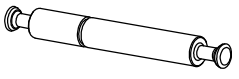

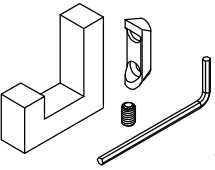
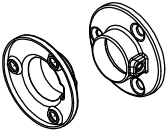
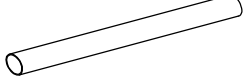


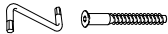
Möbel 3027,3119

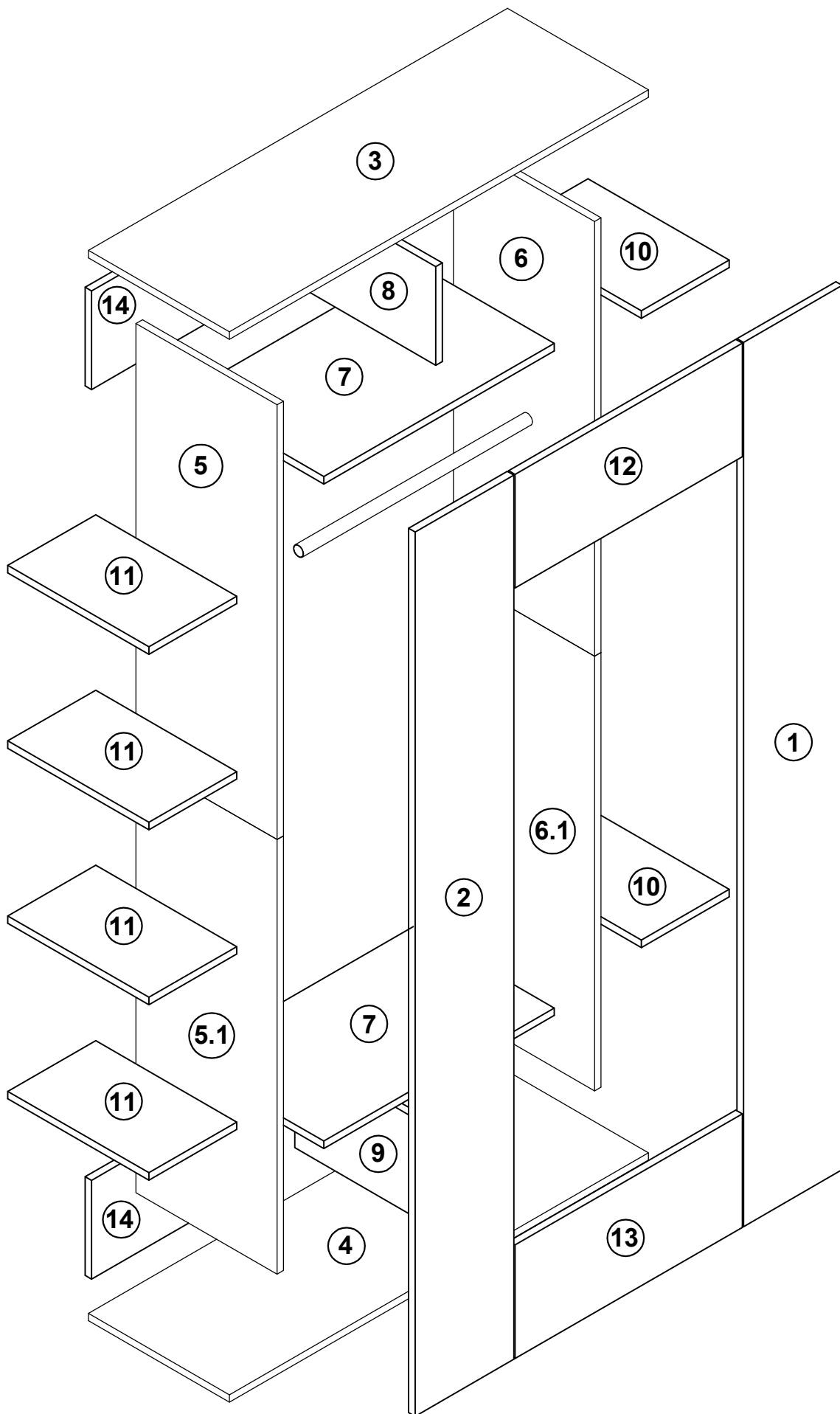
Dielschrank Mats N

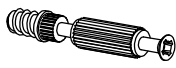

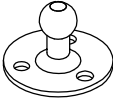





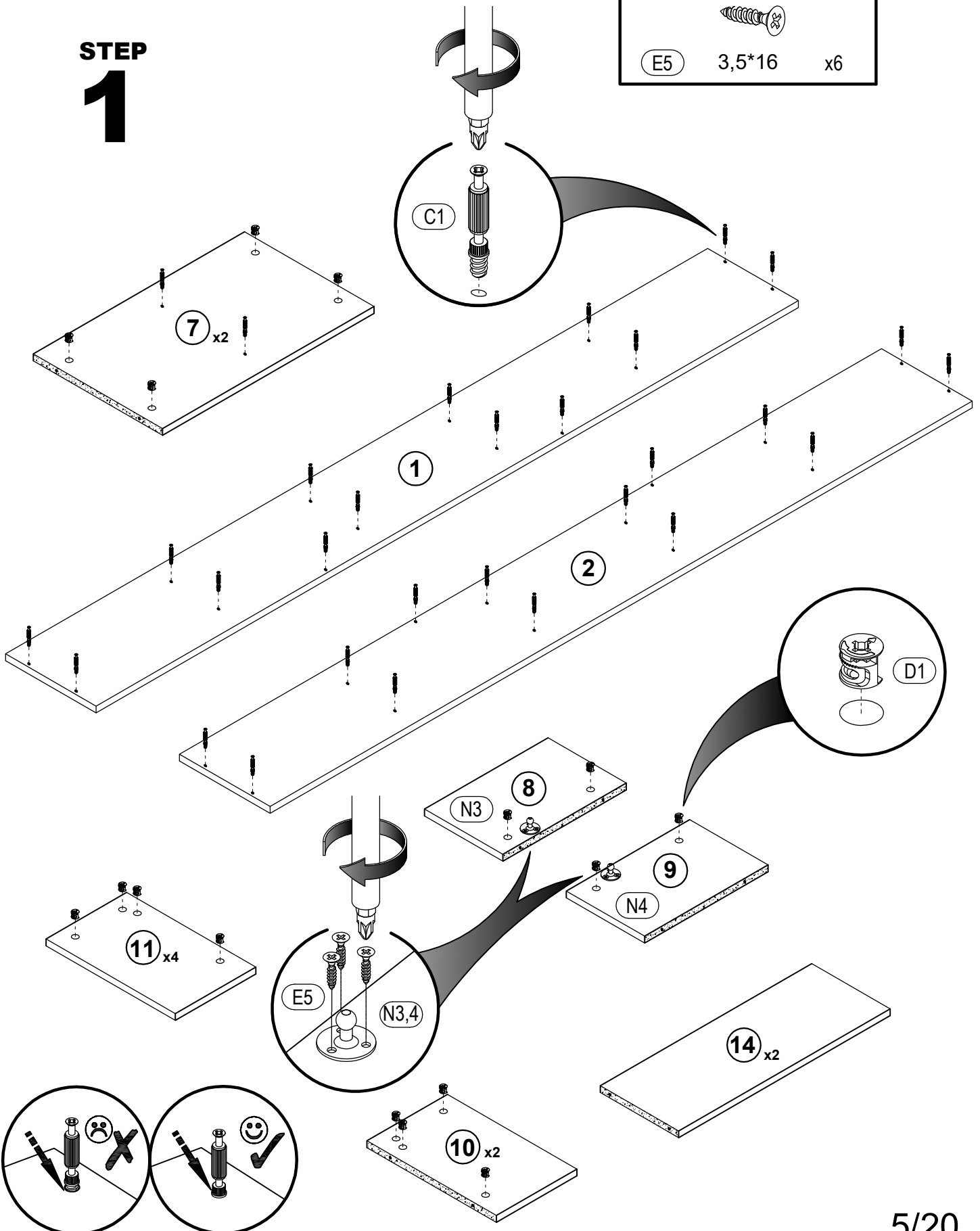
| | | |
|---|--|--|
|  B1 x20 |  B Ø12mm x20 |  C1 6*43mm x49 |
|  D1 15/16 x57 |  D Ø20mm x57 |  E5 3,5*16 x32 |
|  H6 8*40mm x2 |  E22 4,2*41mm x2 |  F3 6,3*13mm x8 |
|  H7 x2 |  K5 x8 |  L1 x4 |
|  N3 x1 |  N4 x1 |  U3 x4 |
|  R4 No4 x1 |  C2 x4 |  A2 8*50mm x4 |
|  X1 x2 |  P3 x2 |  P1 ø25 L-568 x1 |

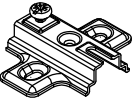
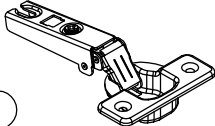



| No | a*b | X | No... | No | a*b | X | No... |
|-----|----------|---|-------|----|--|---|-------|
| 1 | 1900x245 | 1 | 2 | 8 | 212x334 | 1 | 3 |
| 2 | 1900x245 | 1 | 2 | 9 | 212x334 | 1 | 3 |
| 3 | 1040x350 | 1 | 3 | 10 | 218x350 | 2 | 3 |
| 4 | 1040x350 | 1 | 3 | 11 | 218x350 | 4 | 3 |
| 5 | 934x350 | 1 | 1 | 12 | 244x564 | 1 | 3 |
| 5.1 | 934x350 | 1 | 1 | 13 | 244x564 | 1 | 3 |
| 6 | 934x350 | 1 | 1 | 14 | 212x572 | 2 | 3 |
| 6.1 | 934x350 | 1 | 1 | 15 |  | 1 | 3 |
| 7 | 572x350 | 2 | 3 | | | | |



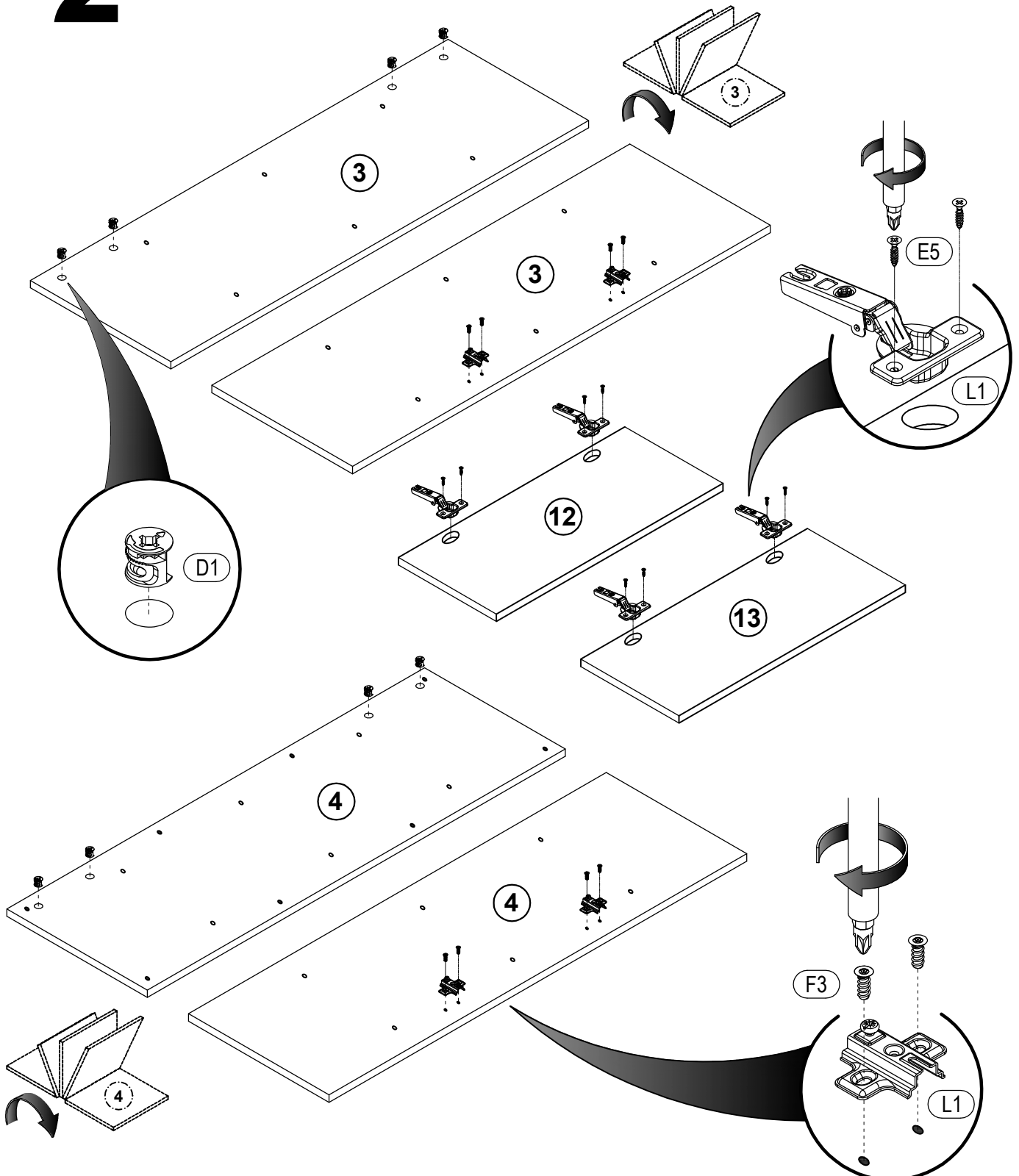
| | | |
|--|---|---|
|  (C1) 6*43mm x32 |  (D1) 15/16 x36 |  (N3,4) x2 |
| | |  (E5) 3,5*16 x6 |

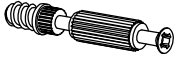

STEP
1



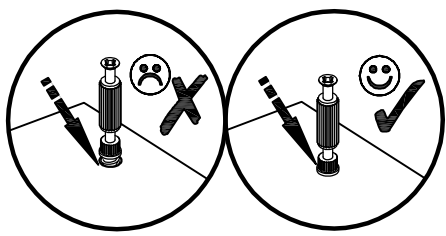
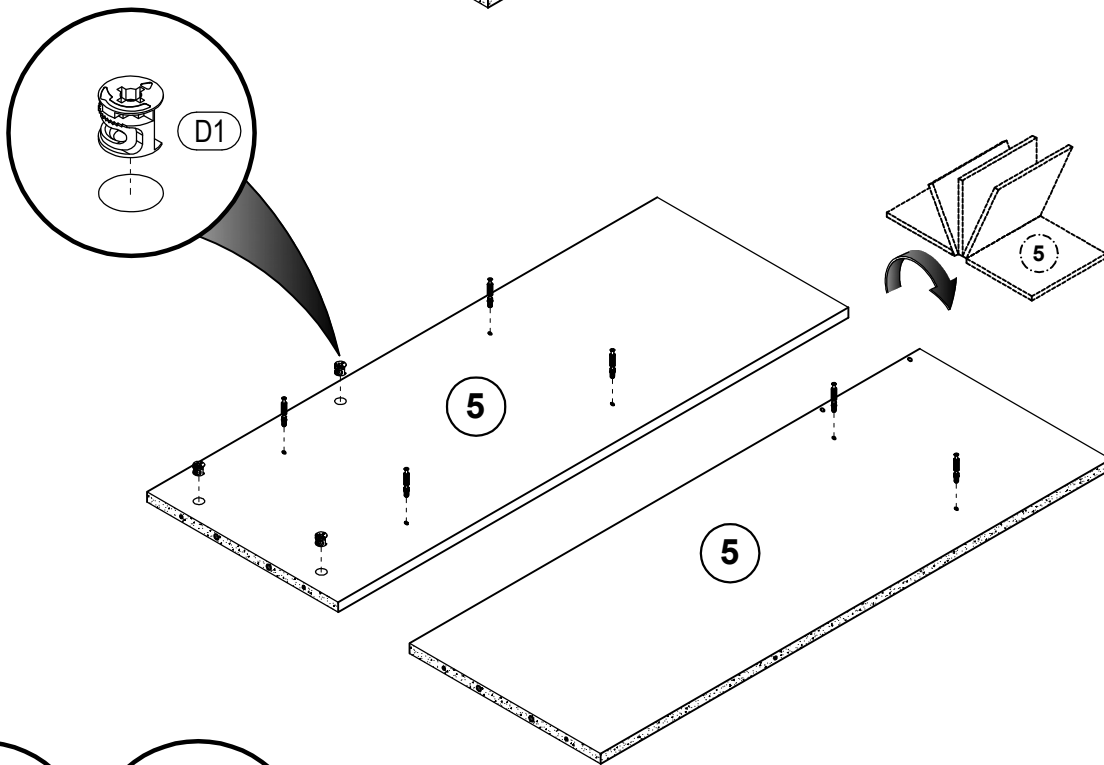
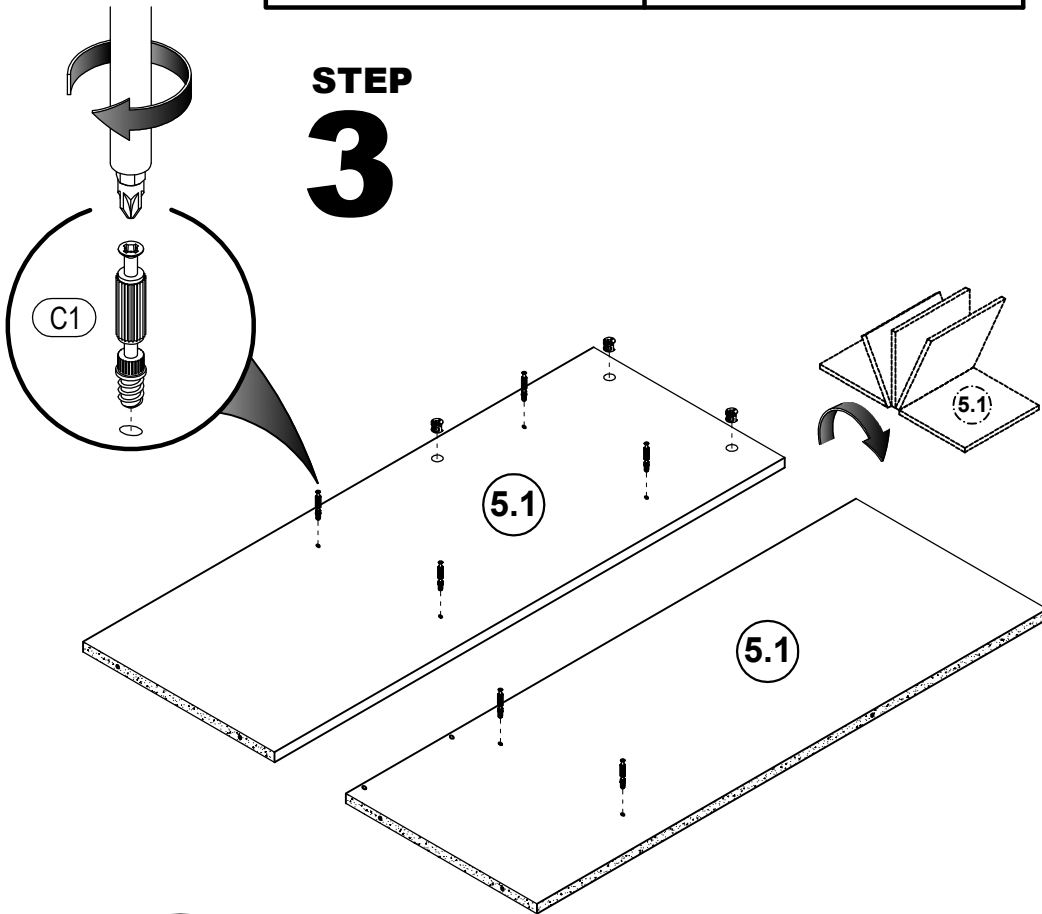
| | | |
|---|--|---|
|  <p>L1 x4</p> |  <p>L1 x4</p> |  <p>E5 3,5*16 x8</p> |
|  <p>F3 6,3*13mm x8</p> | |  <p>D1 15/16 x8</p> |

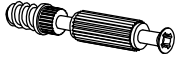

STEP
2



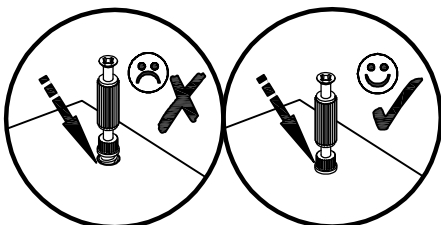
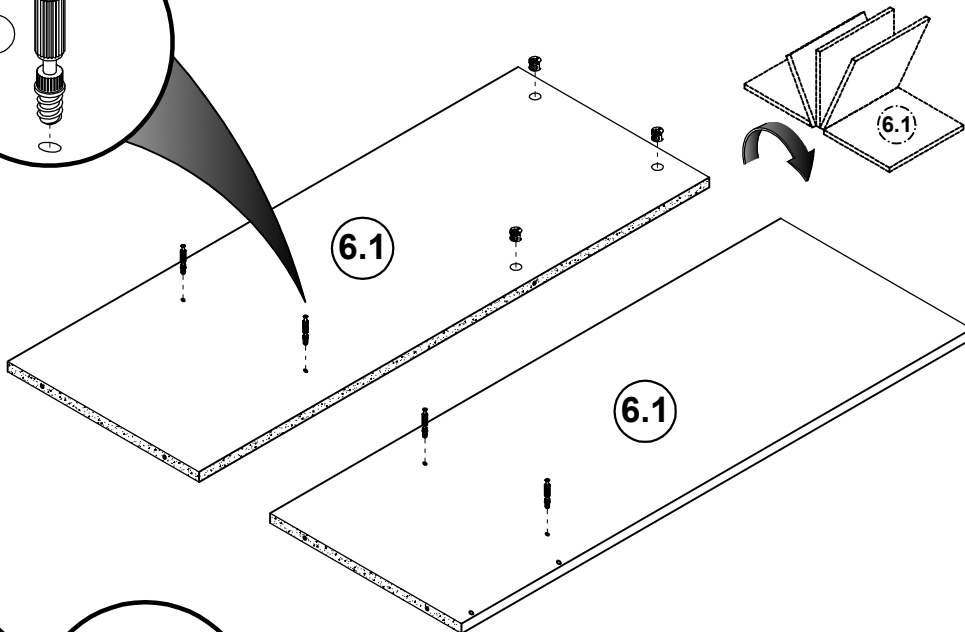
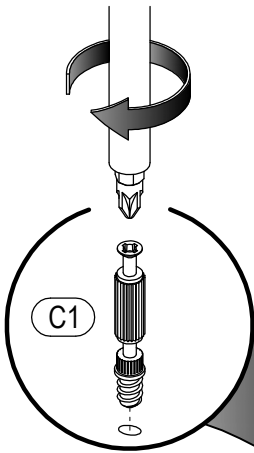
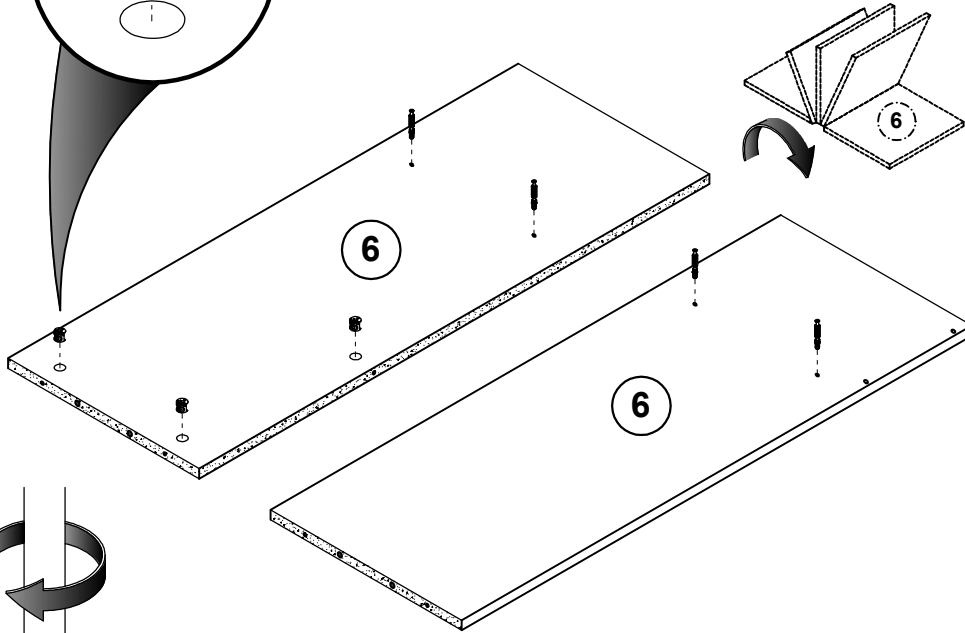
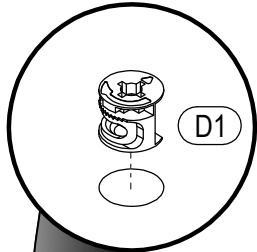
| | |
|--|---|
|  C1 6*43mm x12 |  D1 15/16 x6 |
|--|---|

STEP
3

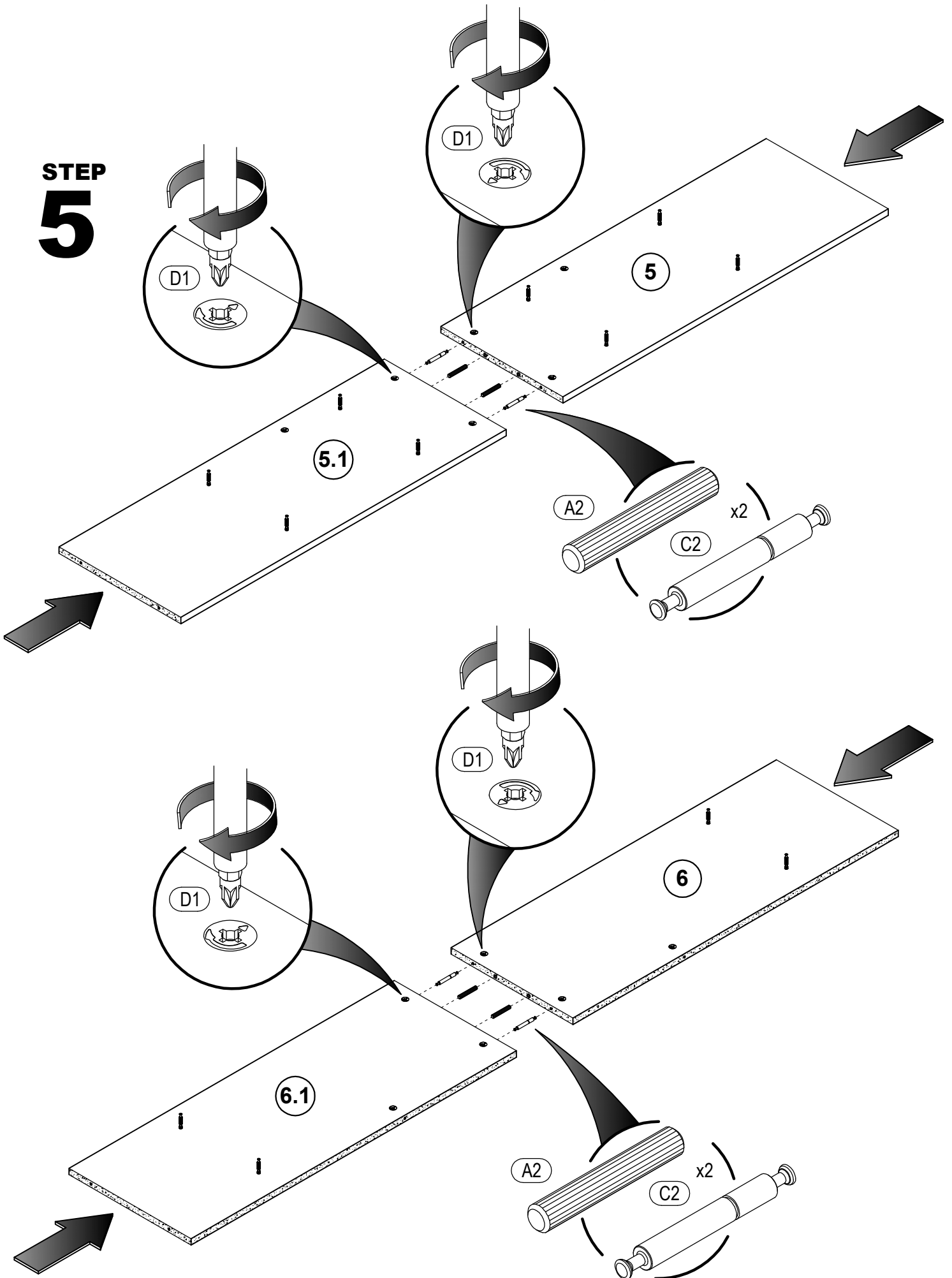


| | |
|---|---|
|  C1 6*43mm x8 |  D1 15/16 x6 |
|---|---|

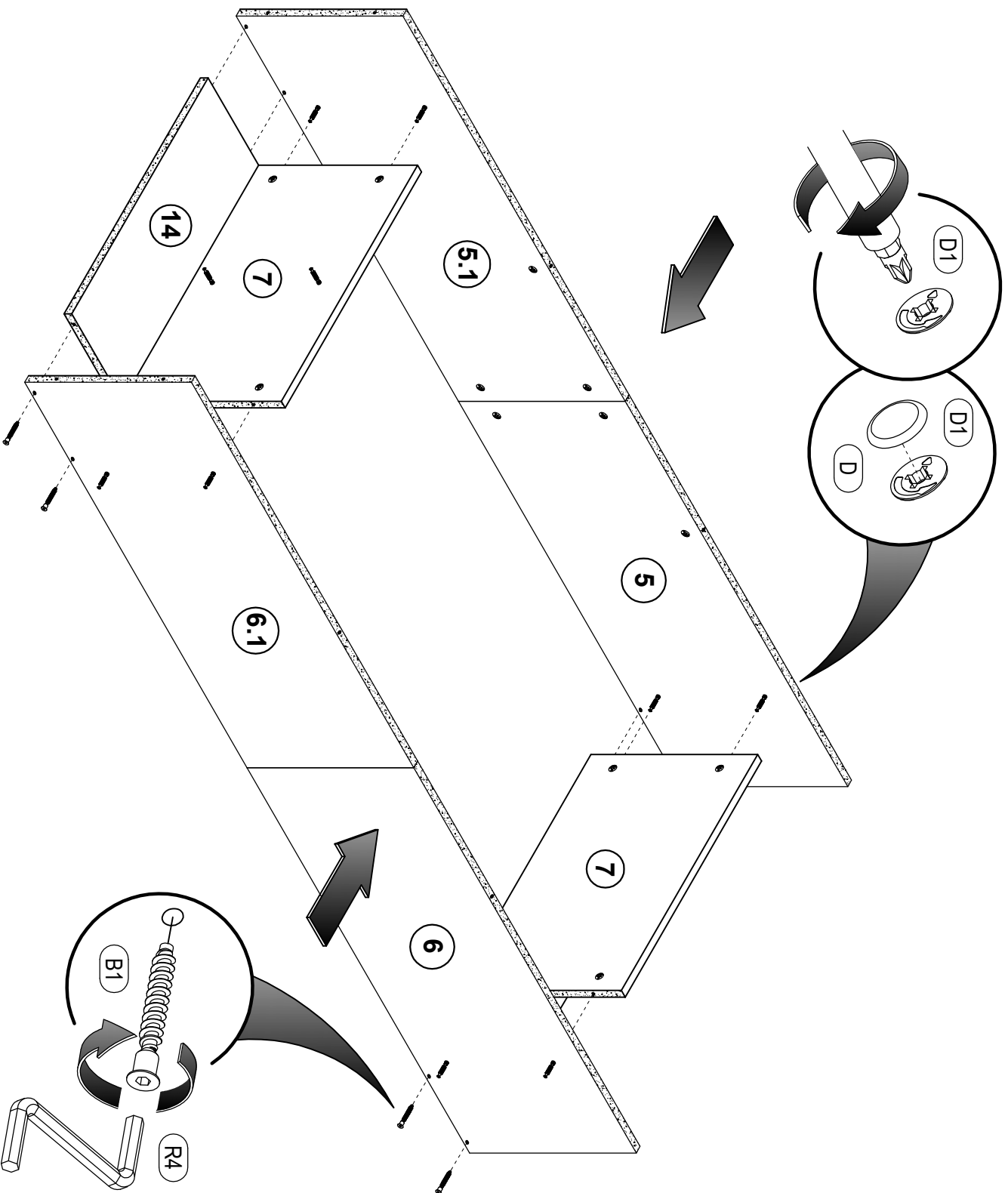
STEP
4

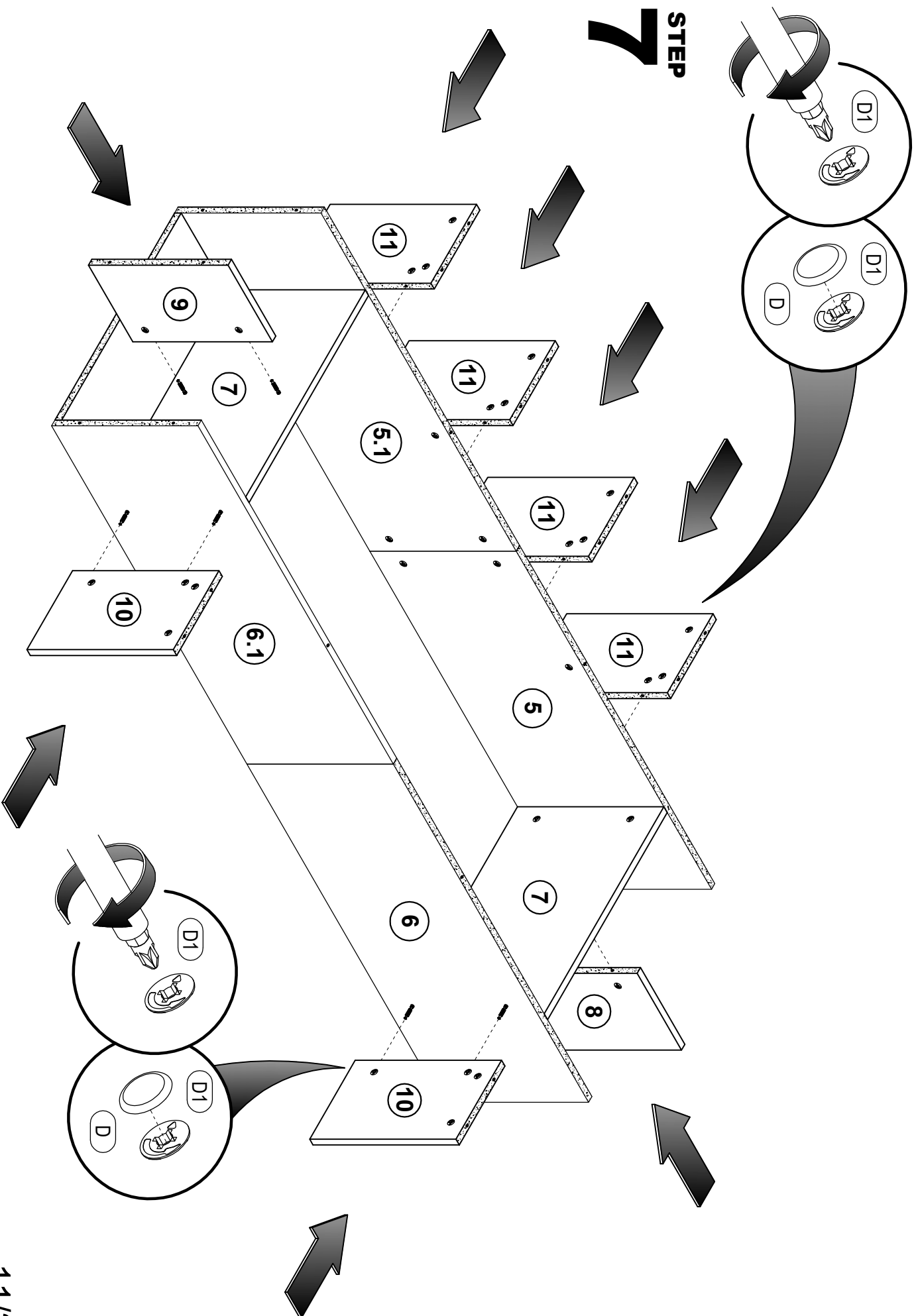


STEP
5

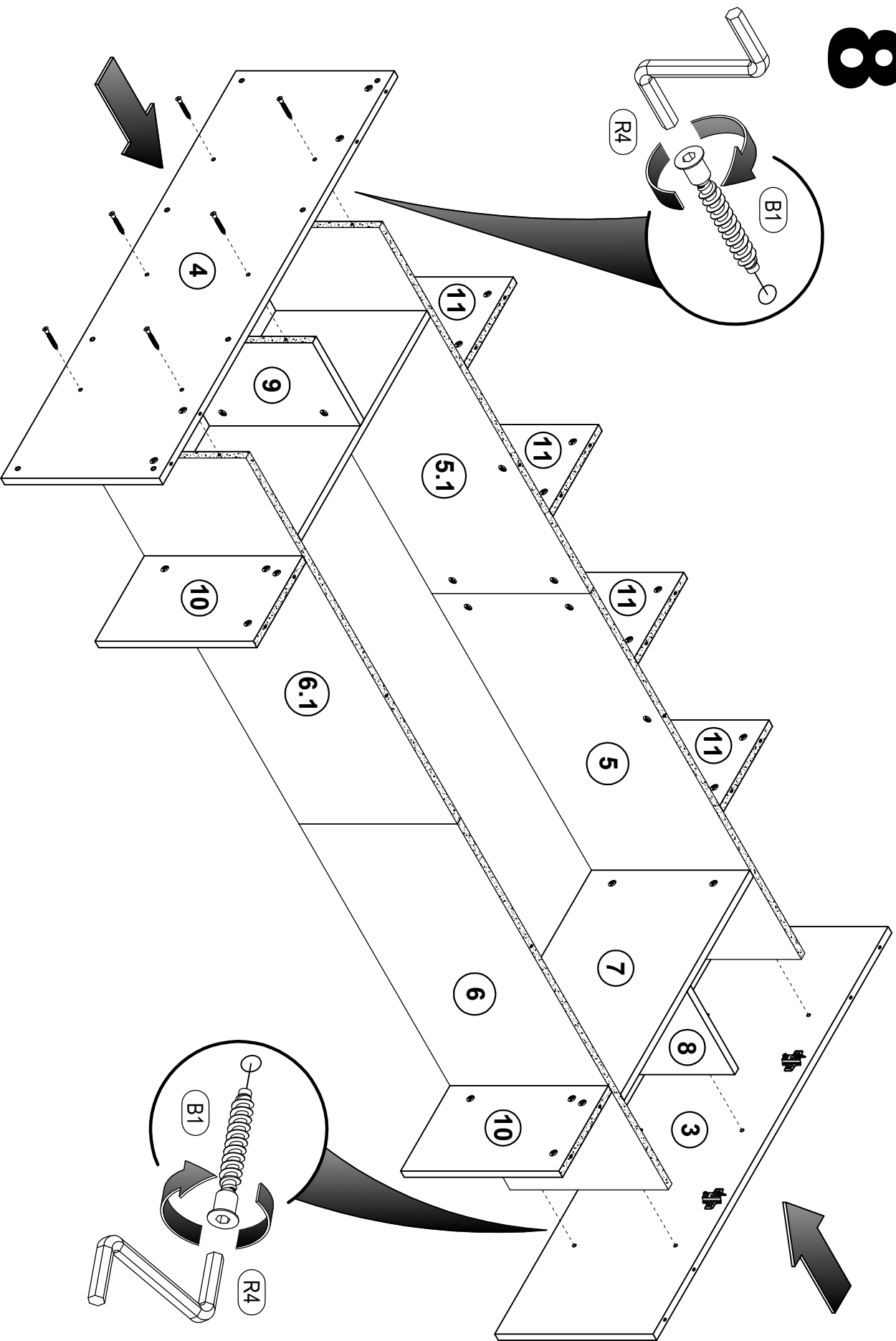


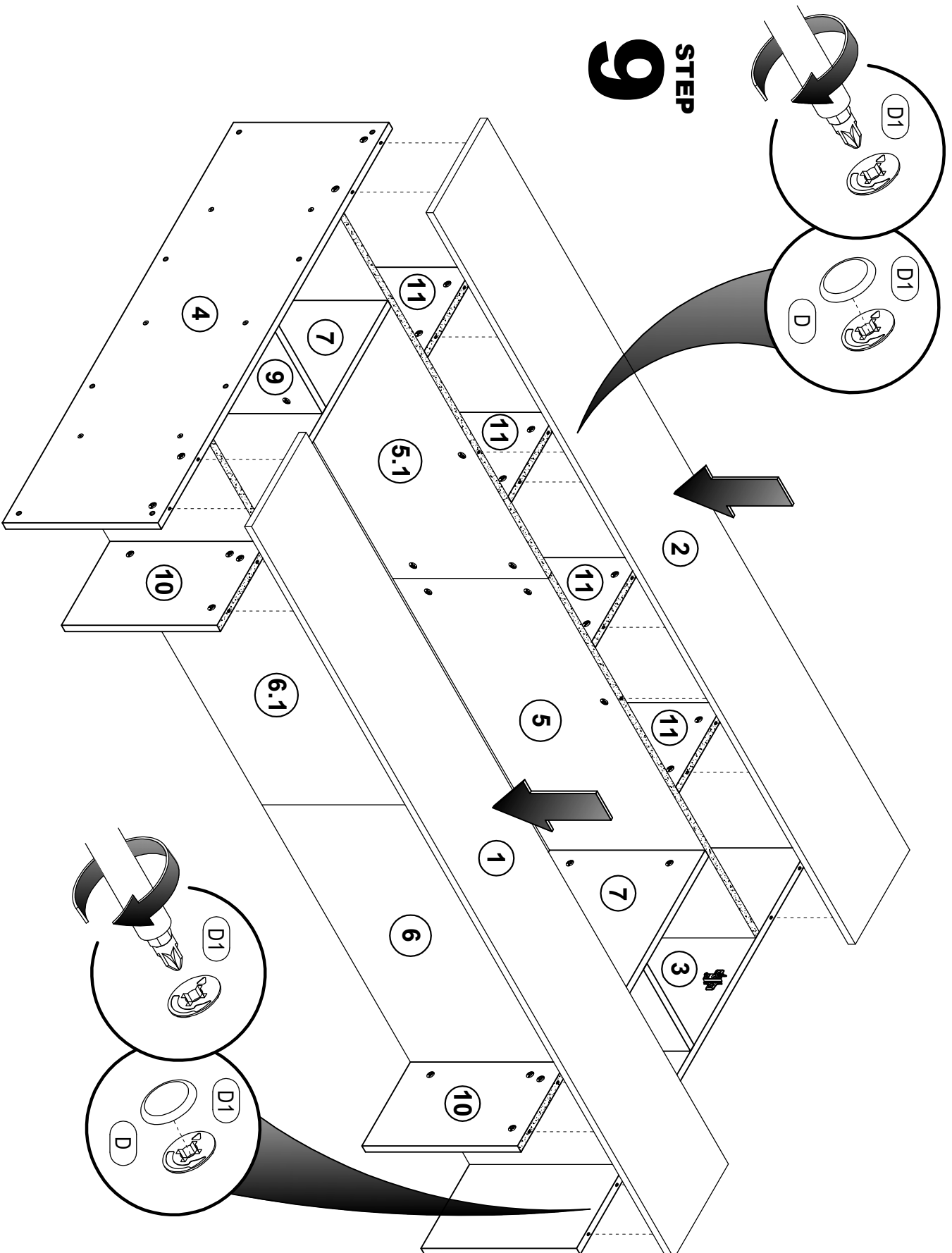
STEP 6



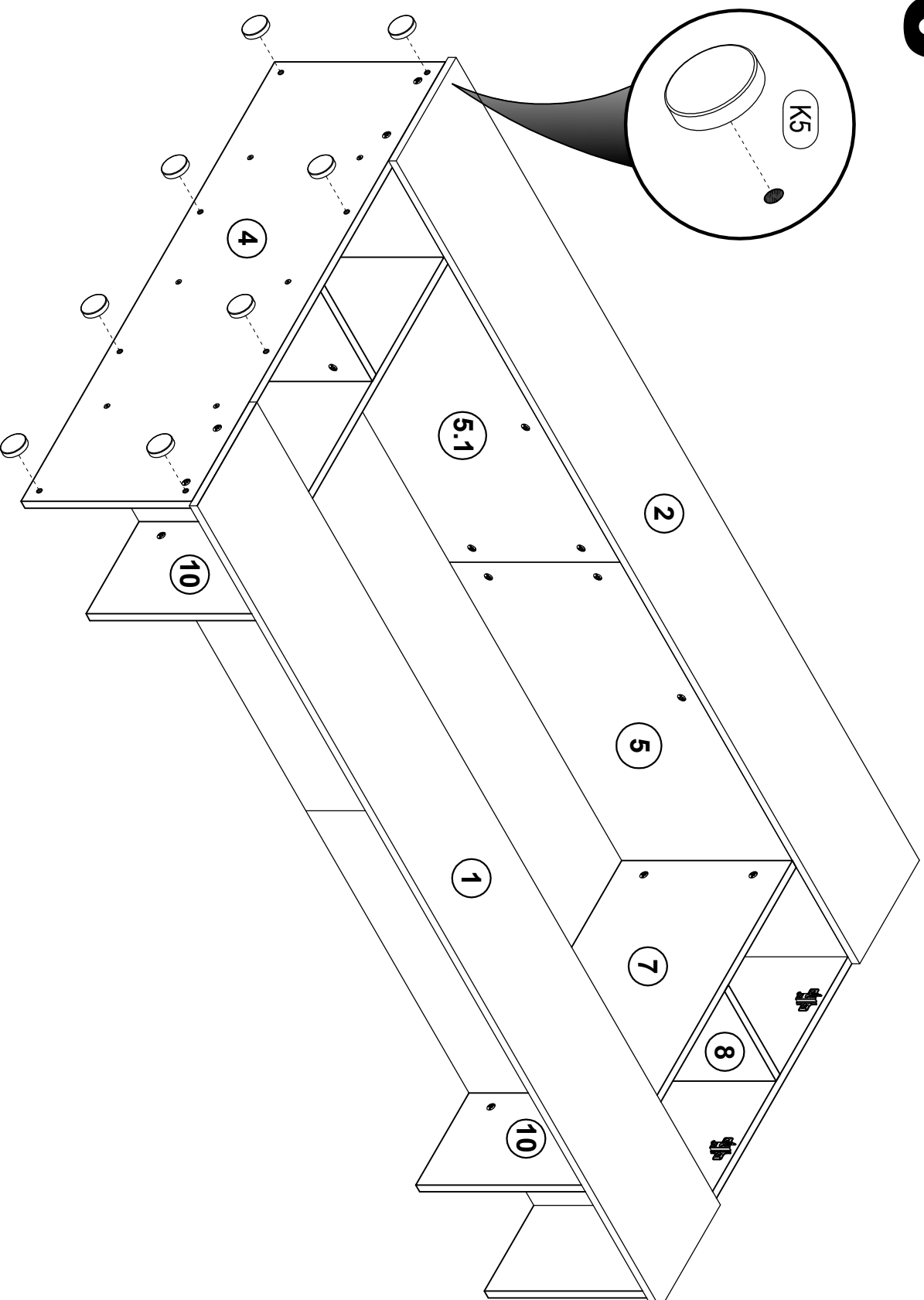



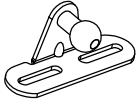


STEP 8



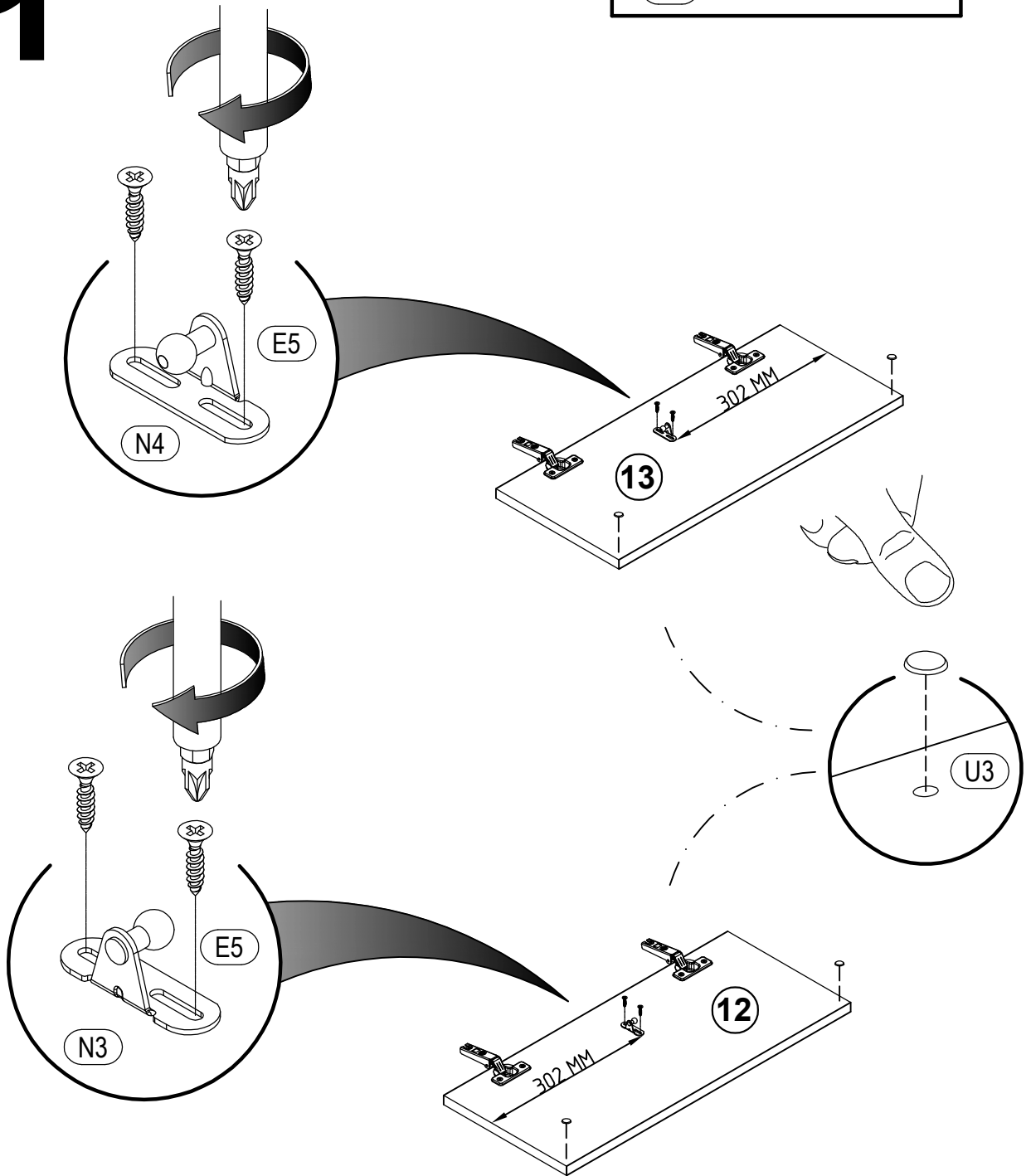


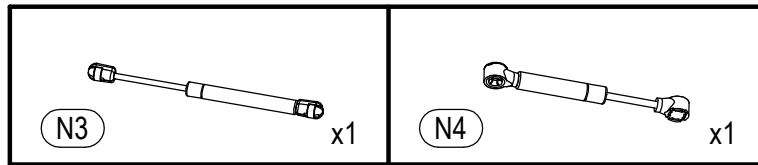
STEP 10



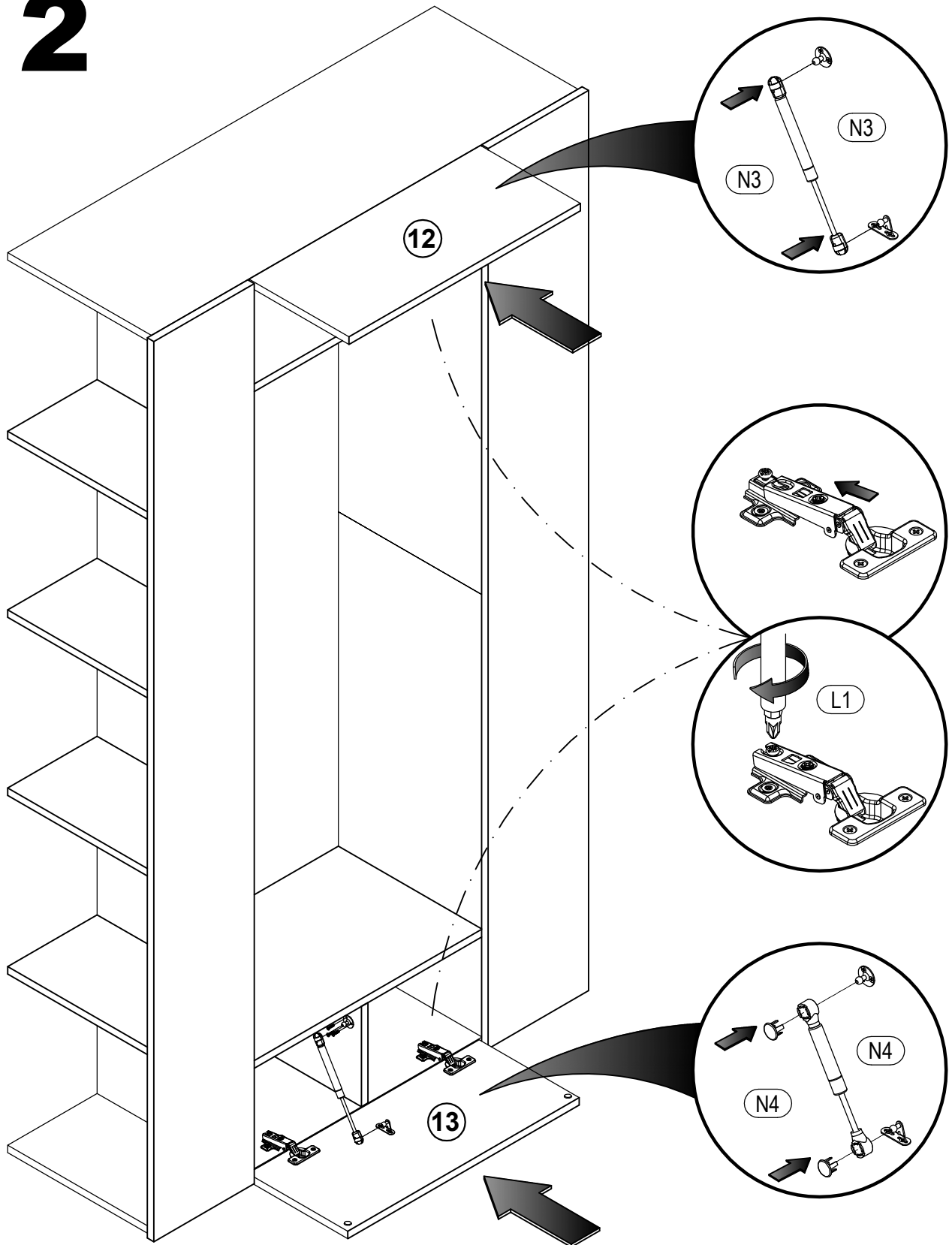
| | | |
|--|--|---|
|  <p>(N3) x1</p> |  <p>(N4) x1</p> |  <p>(E5) 3,5*16 x4</p> |
| | |  <p>(U3) x4</p> |

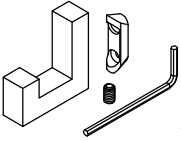


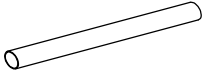
STEP
11



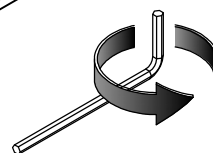
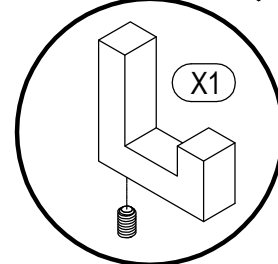
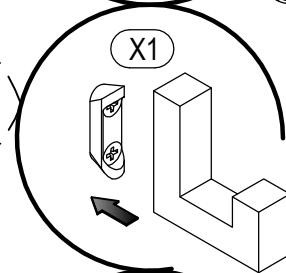
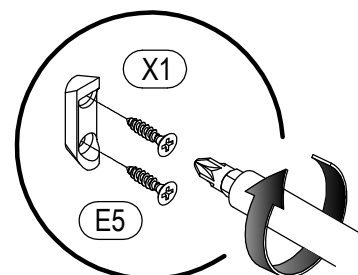
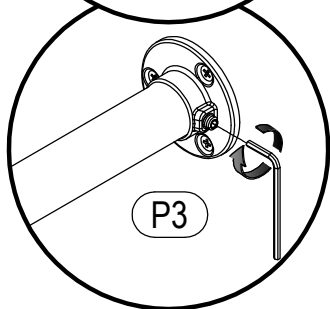
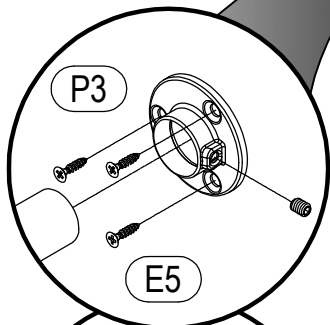
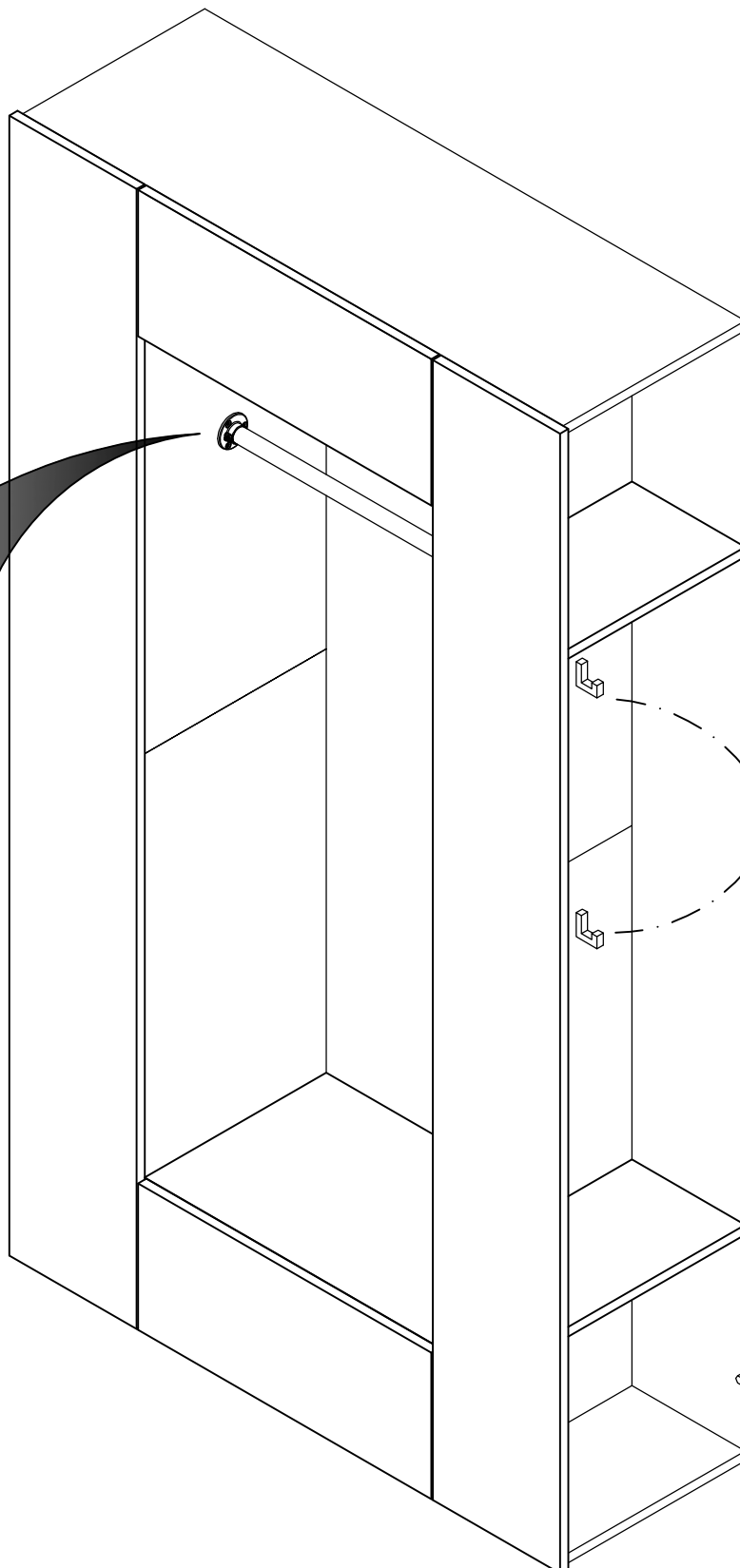


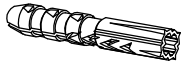

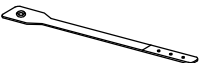

STEP
12

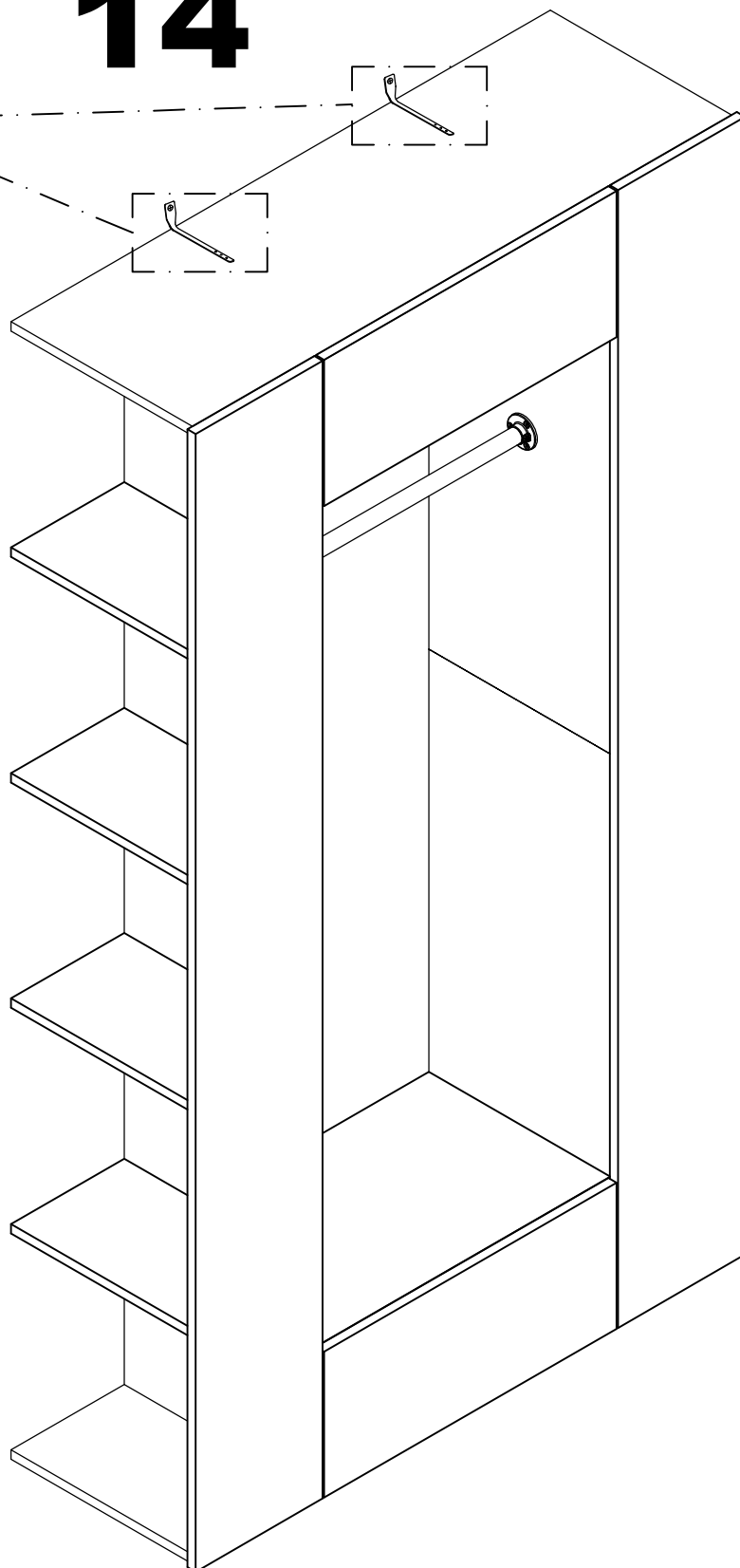
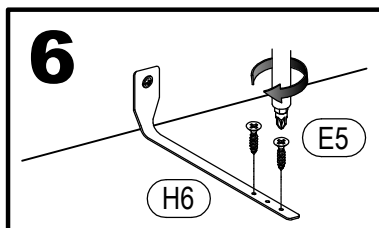
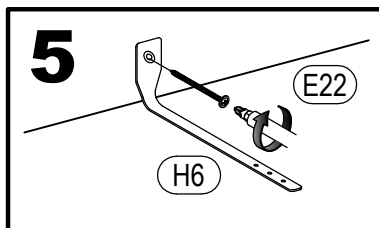
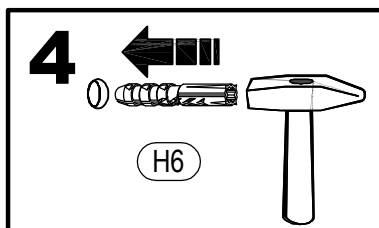
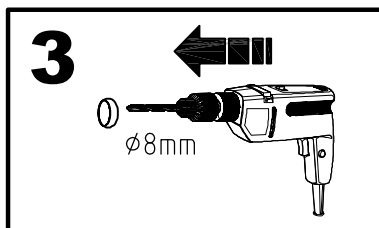
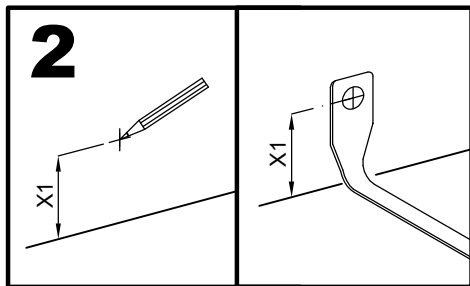
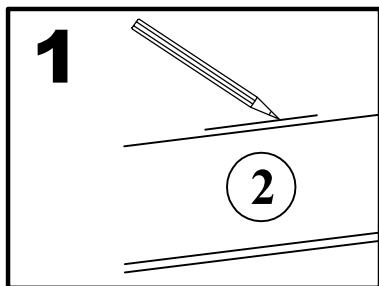


| | | |
|--|--|--|
|  <p>(X1) x2</p> |  <p>(E5) 3,5*16 x10</p> |  <p>(P3) x2</p> |
|  <p>(P1) ø25 L-568 x1</p> | | |

STEP
13



| | | |
|---|--|--|
|  (H6) 8*40mm x2 |  (E22) 4,2*41mm x2 |  (H7) x2 |
|  (E5) 3,5*16 x4 | <p style="text-align: center;">STEP 14</p> | |



STEP
15

