

# ASSEMBLY INSTRUCTIONS

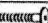
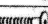



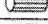
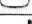

## MOCCA II - 1 KRESLO

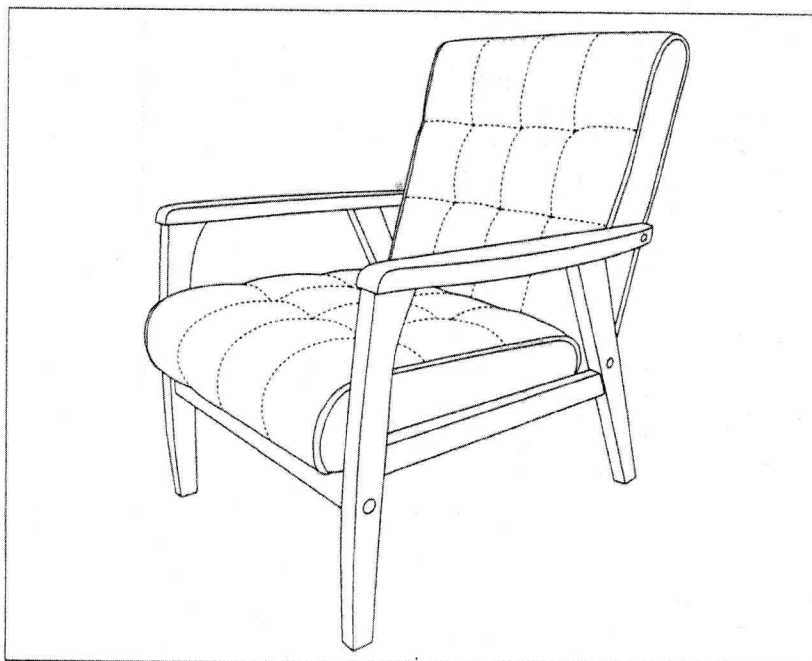
THANK YOU FOR PURCHASING THIS QUALITY PRODUCT. READ THESE INSTRUCTIONS CAREFULLY. SEE PARTS LIST AND HARDWARE LIST FOR GUIDANCE, BE SURE ALL PARTS ARE PRESENT PRIOR TO ASSEMBLY.

CAUTIONS: 1. DO NOT FULLY TIGHTEN BOLTS UNTIL ALL BOLTS ARE IN PLACE AND READY FOR ASSEMBLY.  
2. DO NOT OVER TIGHTEN BOLTS TO AVOID CAUSING DAMAGE TO THE THREADS.  
3. KEEP ALL PARTS AND HARDWARE OUT TO REACH OF CHILDREN.

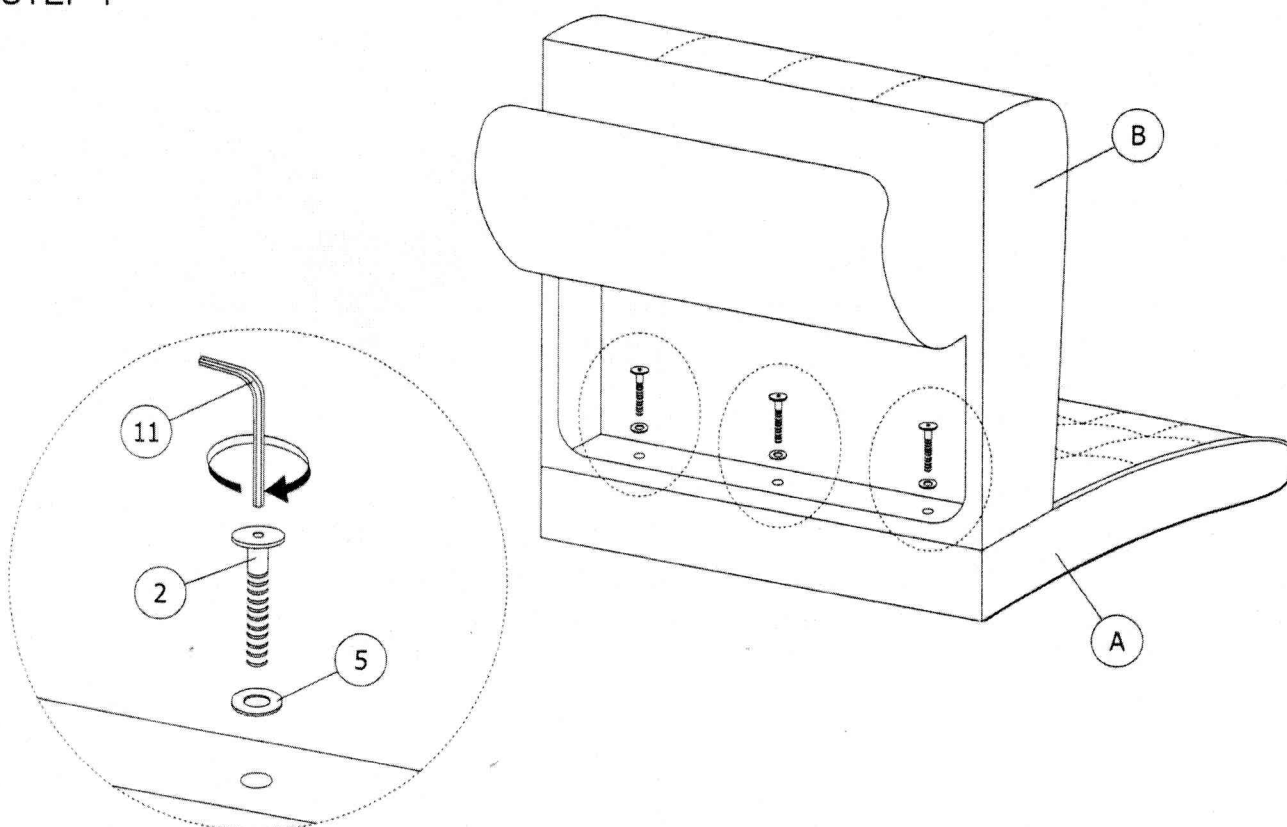
TOOLS NEEDED : SCREWDRIVER (NOT PROVIDED)

PARTS LIST		
ITEM	DESCRIPTION	QTY
A	BACK	1 PC
B	SEAT	1 PC
C	ARM	2 PCS
D	SUPPORT RAIL	1 PC

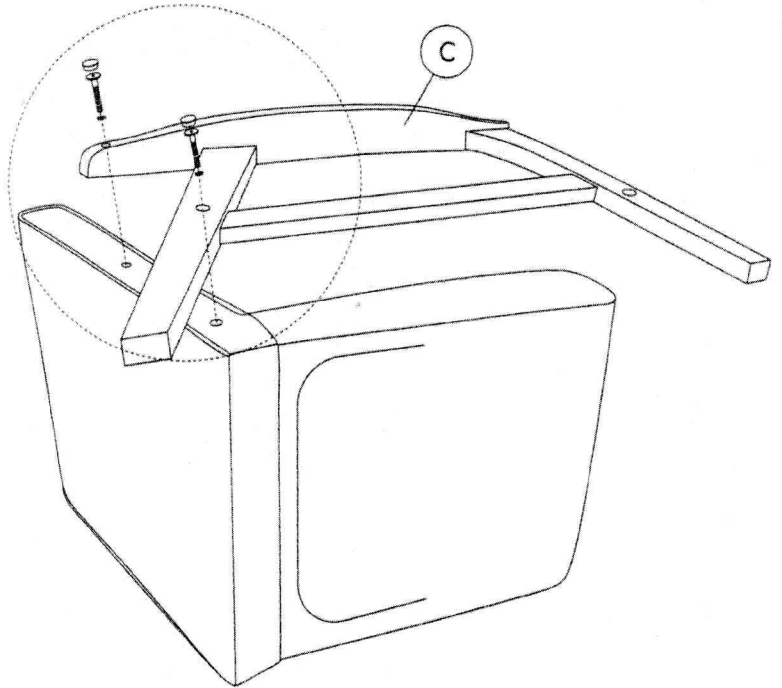
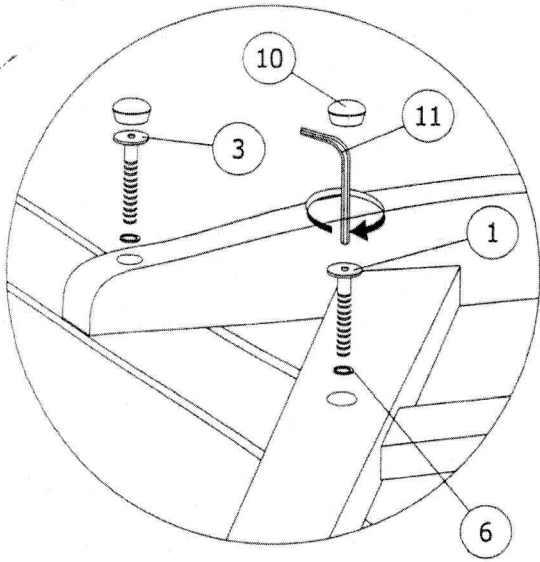
HARDWARE LIST		
ITEM	DESCRIPTION	QTY
1	JCBB BOLT M8 x 40mm 	2 PCS
2	JCBB BOLT M8 x 45mm 	3 PCS
3	JCBB BOLT M8 x 50mm 	2 PCS
4	JCBB BOLT M8 x 60mm 	2 PCS
5	M8 FLAT WASHER 	3 PCS
6	M8 SPRING WASHER 	6 PCS
7	CSK SCREW M4 x 50mm 	2 PCS
8	BARREL NUT M8 (2/8") 	2 PCS
9	WOOD DOWEL M8x40mm 	2 PCS
10	WOOD BUTTON 1/8 5mm 	6 PCS
11	ALLEN KEY M5 	1 PC



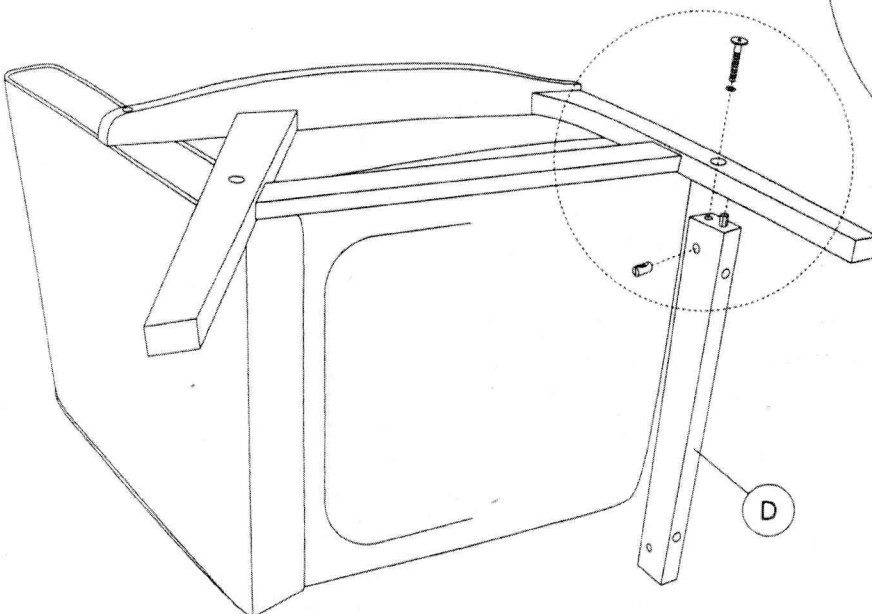
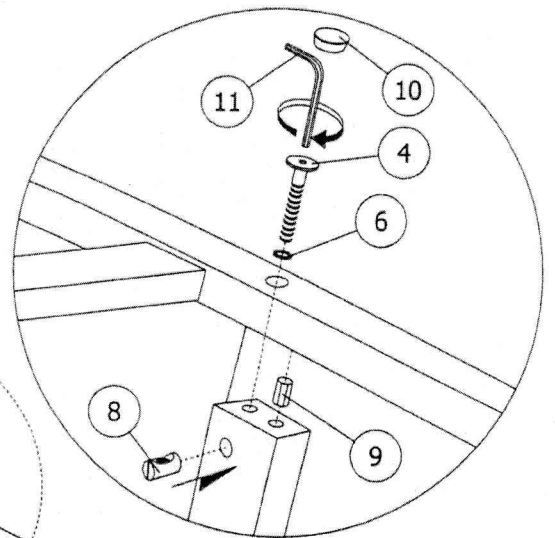
### STEP 1



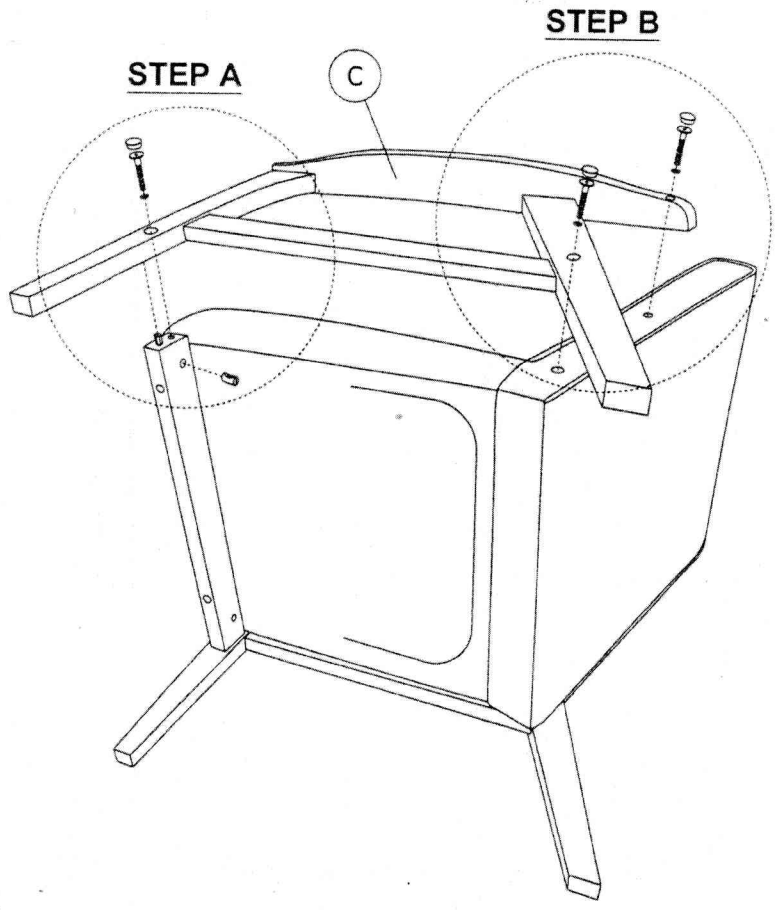
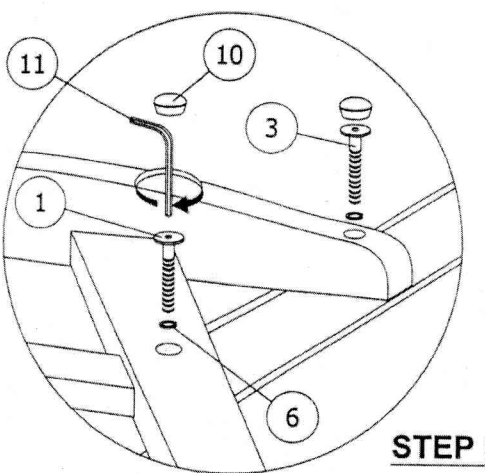
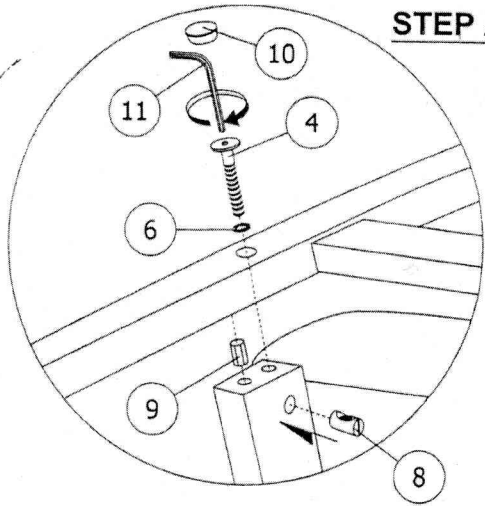
### STEP 2



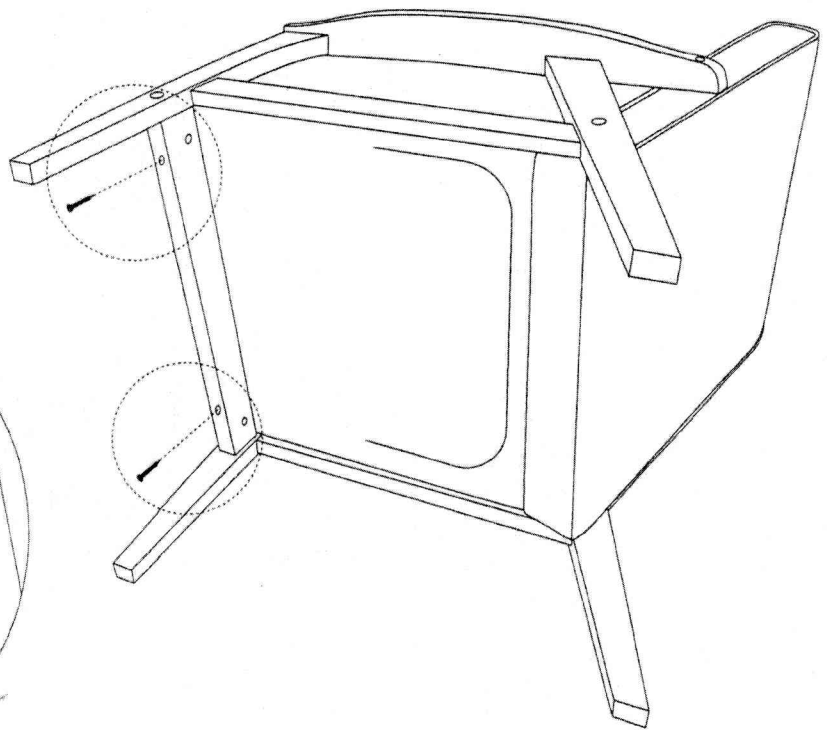
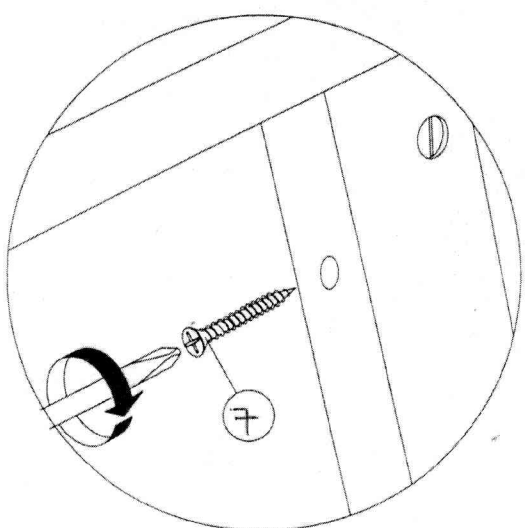
### STEP 3



EP 4



STEP 5



Assembled completed