





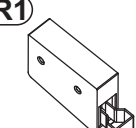

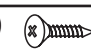













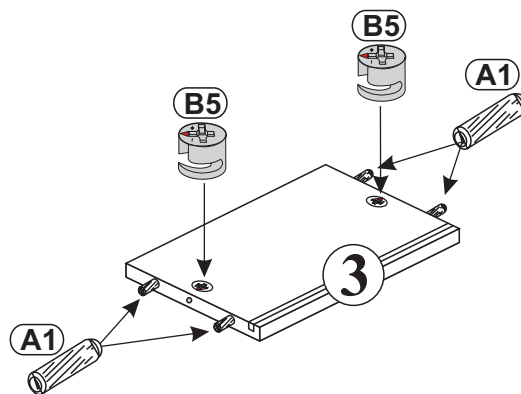
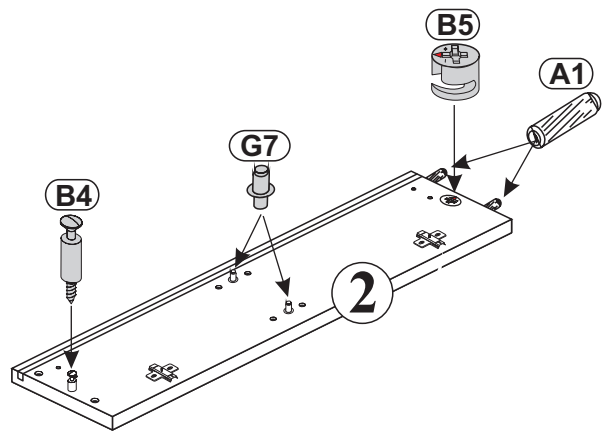
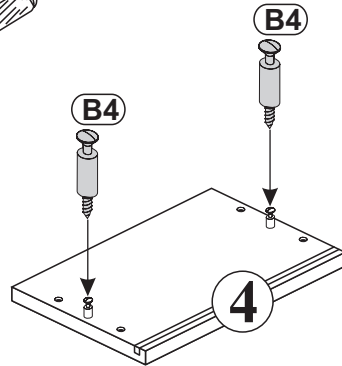
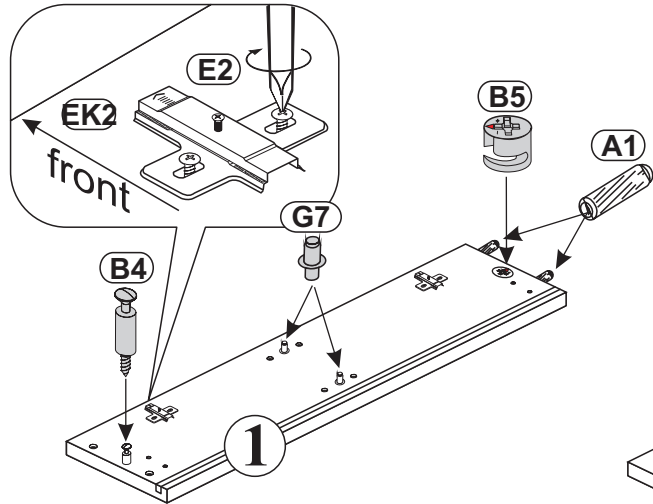




- | | | | |
|------------|---|--------|----|
| A1 |  | φ 8x36 | x8 |
| B5 |  | | x4 |
| B4 |  | | x4 |
| G5 |  | #15 | x4 |
| G4 |  | φ 5 | x6 |
| G7 |  | | x4 |
| ZR1 |  | | x2 |
| E1 |  | Kr0 | x2 |
| D10 |  | 3,5x13 | x4 |
| E2 |  | H0 | x2 |
| Ek2 |  | 6,3x13 | x4 |
| KR2 |  | | x2 |
| UL |  | L-32 | x1 |
| UP6 |  | 4x30 | x2 |
| D6 |  | 3,5x30 | x4 |
| G2 |  | S-4 | x1 |

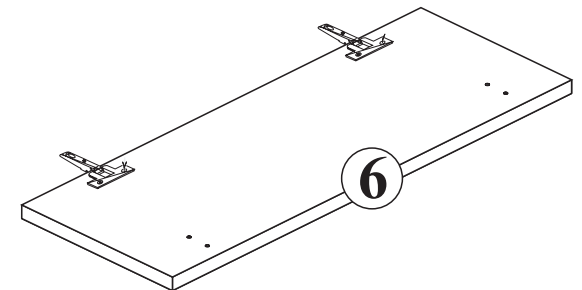
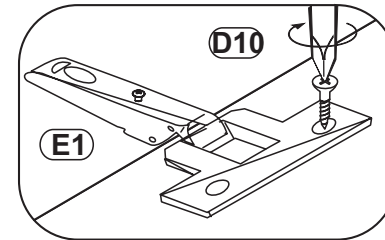
1

- E2**  x2
H0
- A1**  x8
φ 8x36
- Ek2**  x4
6,3x13
- B5**  x4
- B4**  x4
- G7**  x4

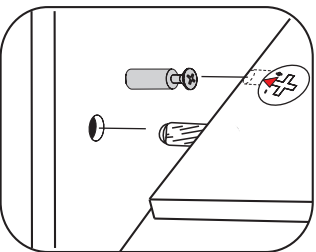
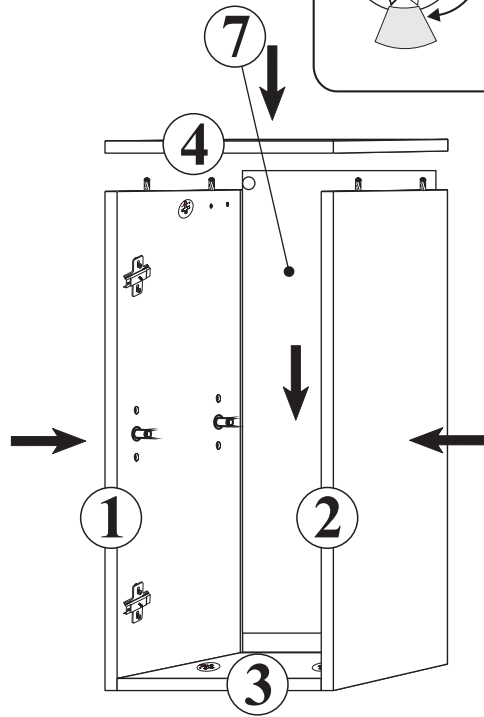
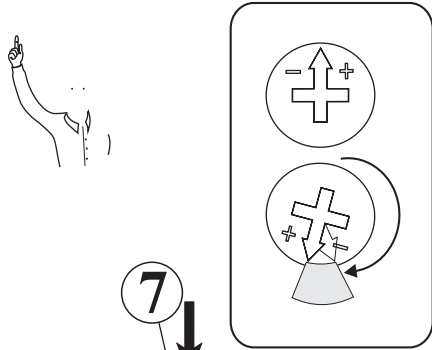


2

- E1**  x2
Kr0
- D10**  x4
3,5x13

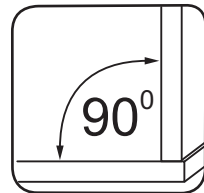
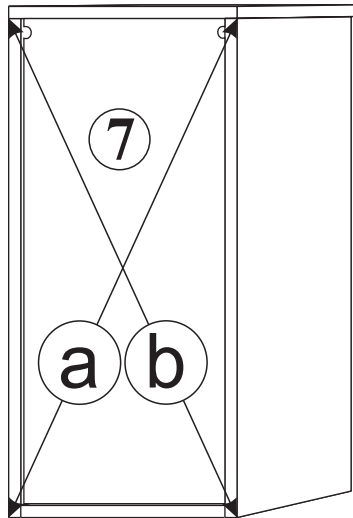


3

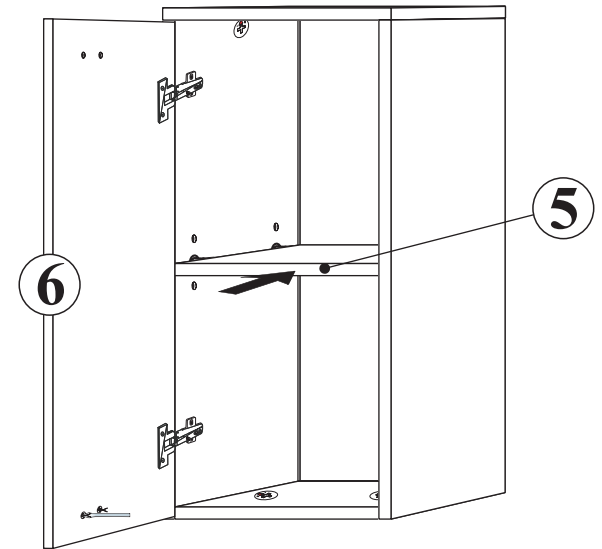
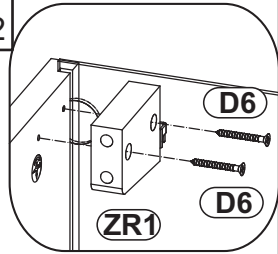
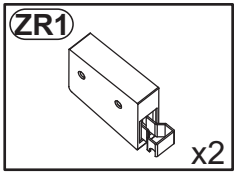
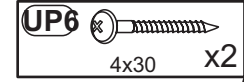
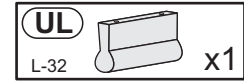
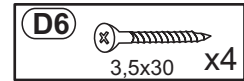
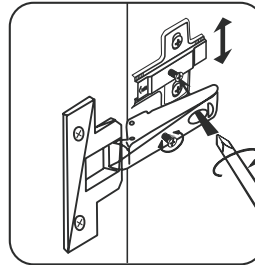


4

a=b



5



6

