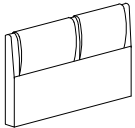
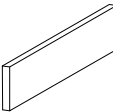
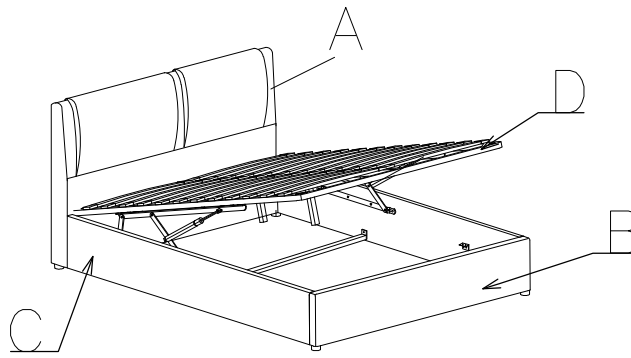
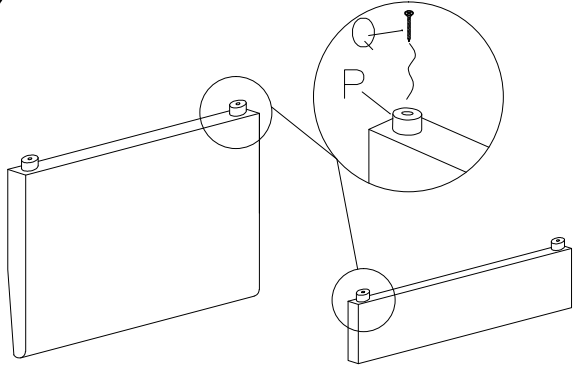
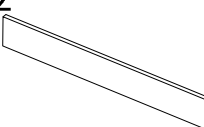
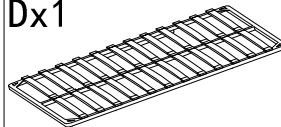



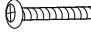
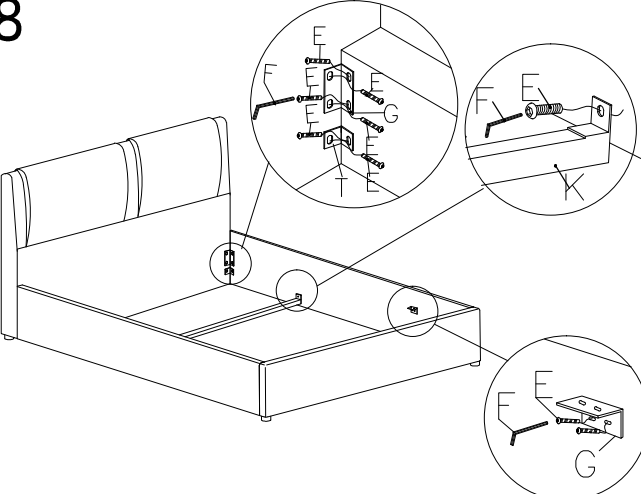
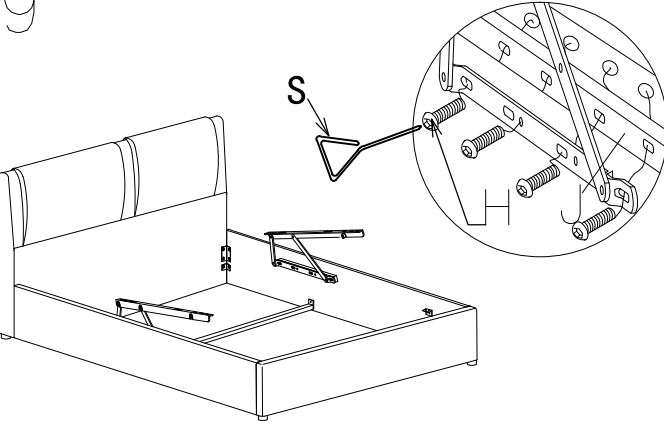



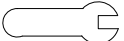

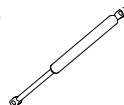
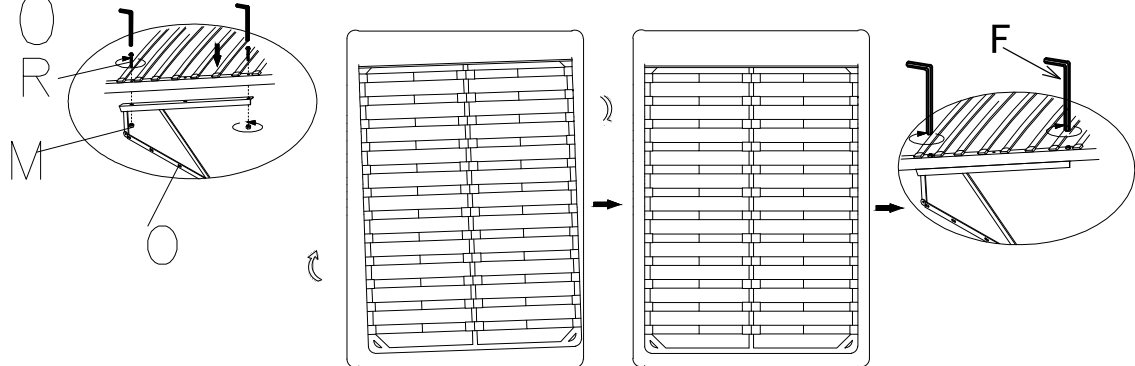
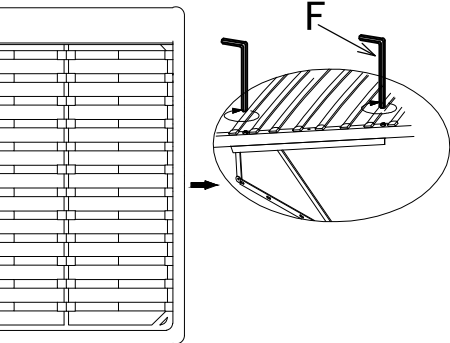



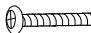
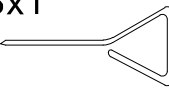
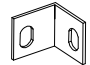
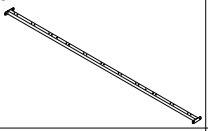


# GULIA

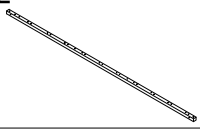
<p><b>Ax1</b></p> 	<p><b>Bx1</b></p> 	<p><b>6</b></p> 	<p><b>7</b></p> 
<p><b>Cx2</b></p> 	<p><b>Dx1</b></p> 		
<p><b>Ex26</b> (8*20)</p> 	<p><b>Fx1</b></p> 		
<p><b>Gx6</b></p> 	<p><b>Hx8</b> (8*40)</p> 	<p><b>8</b></p> 	<p><b>9</b></p> 
<p><b>Ix1</b></p> 	<p><b>Jx2</b></p> 		
<p><b>Kx1</b></p> 	<p><b>Lx1</b></p> 		
<p><b>Mx4</b></p> 	<p><b>Nx2</b></p> 	<p><b>10</b></p> 	<p><b>11</b></p> 
<p><b>Ox2</b></p> 	<p><b>Px4</b> 2.5cm</p> 		
<p><b>Qx4</b> (5*50)</p> 	<p><b>Rx4</b> (8*50)</p> 		
<p><b>Sx1</b></p> 	<p><b>Tx2</b></p> 		

# GULIA

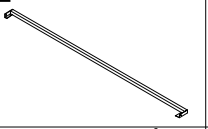
(1) x1



(2) x2



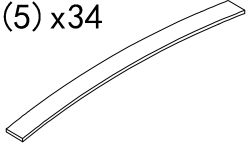
(3) x2



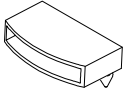
(4) x1



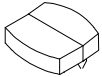
(5) x34



(6) x34



(7) x17



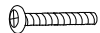
(8) x2



(9) x12



(10) x14

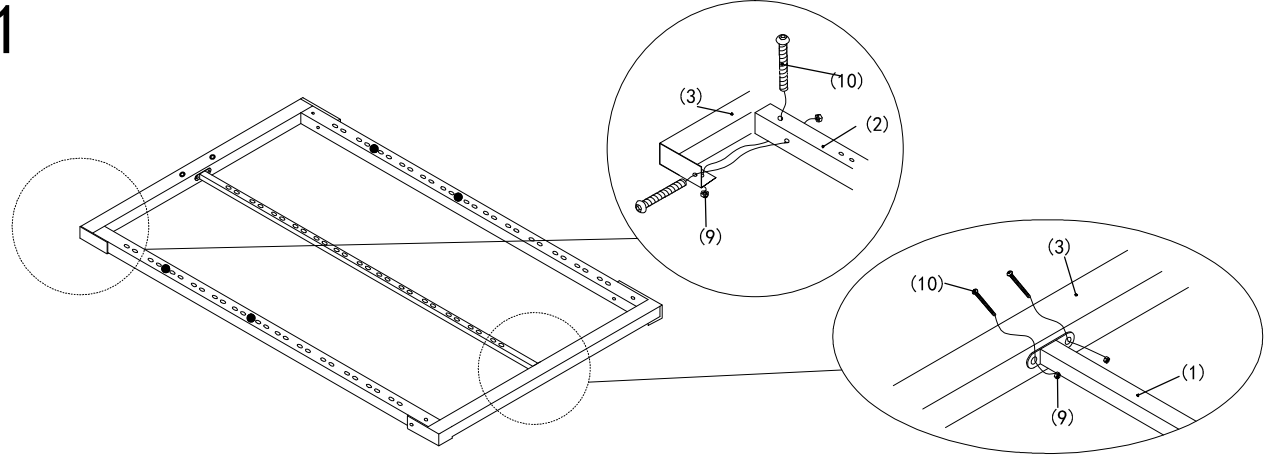


(8\*45)

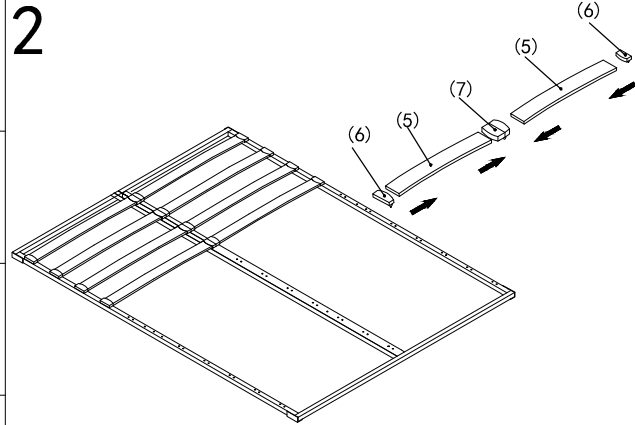
(11) x1



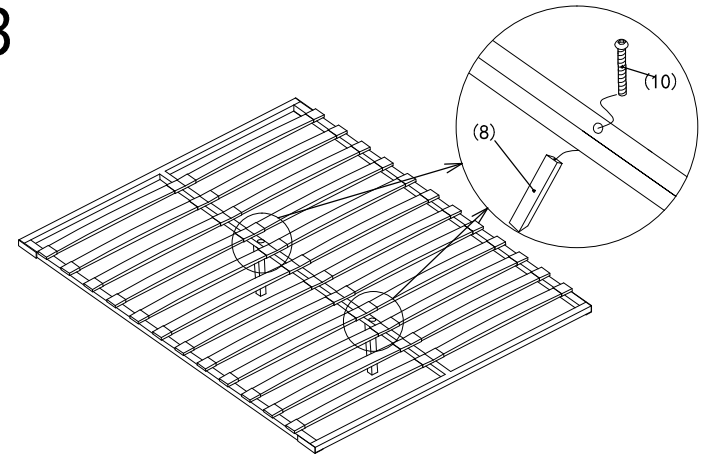
1



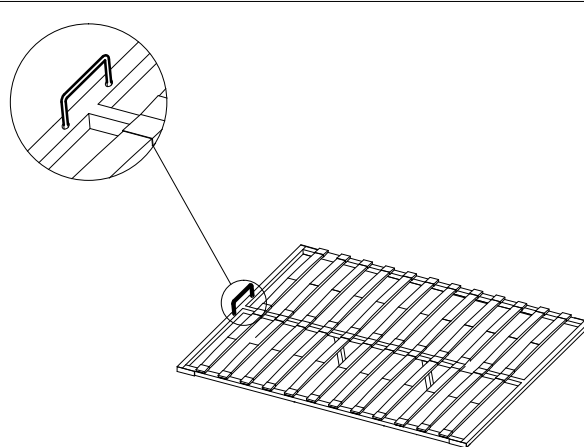
2



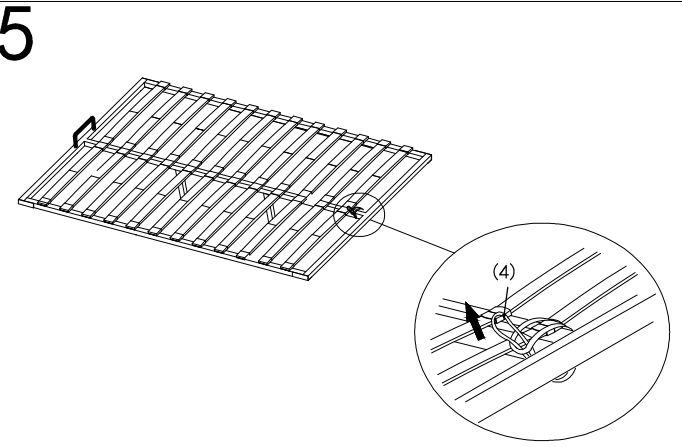
3



4

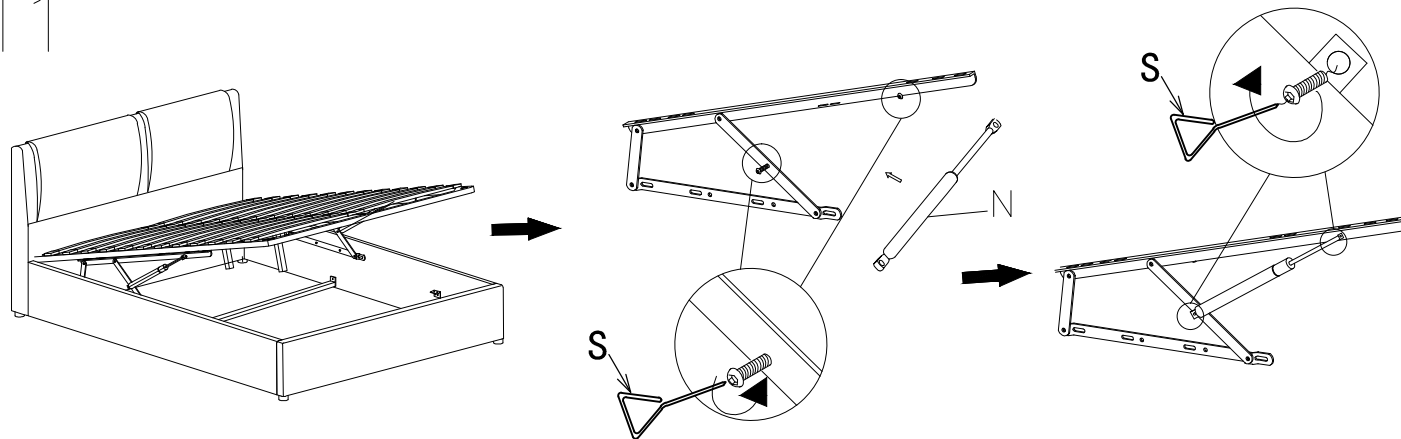


5

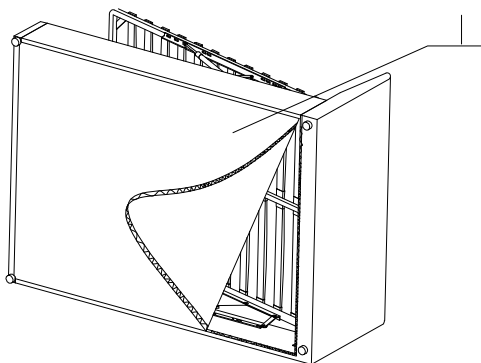


# GULIA

11



12



13

