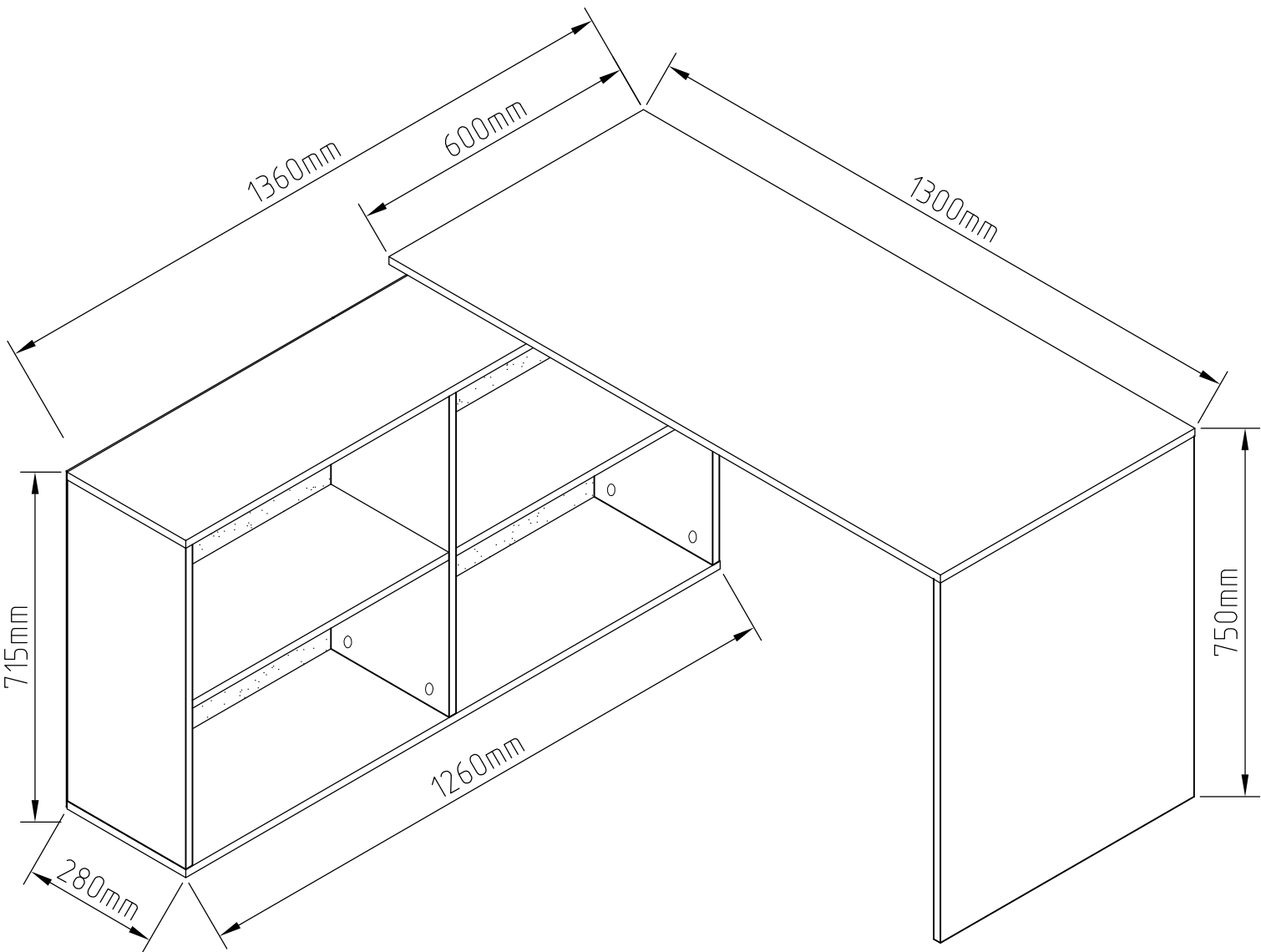
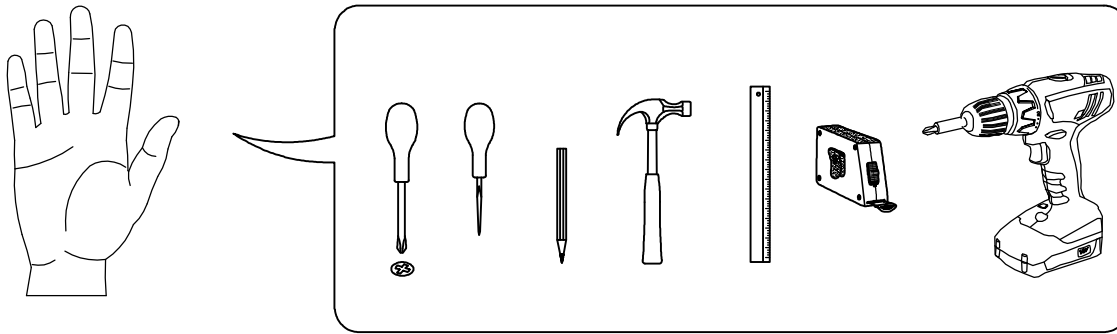
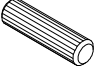
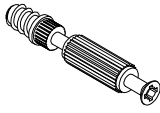
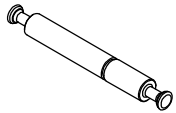




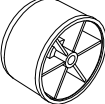
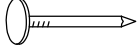
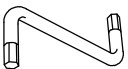



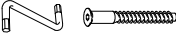
MURCIA

table

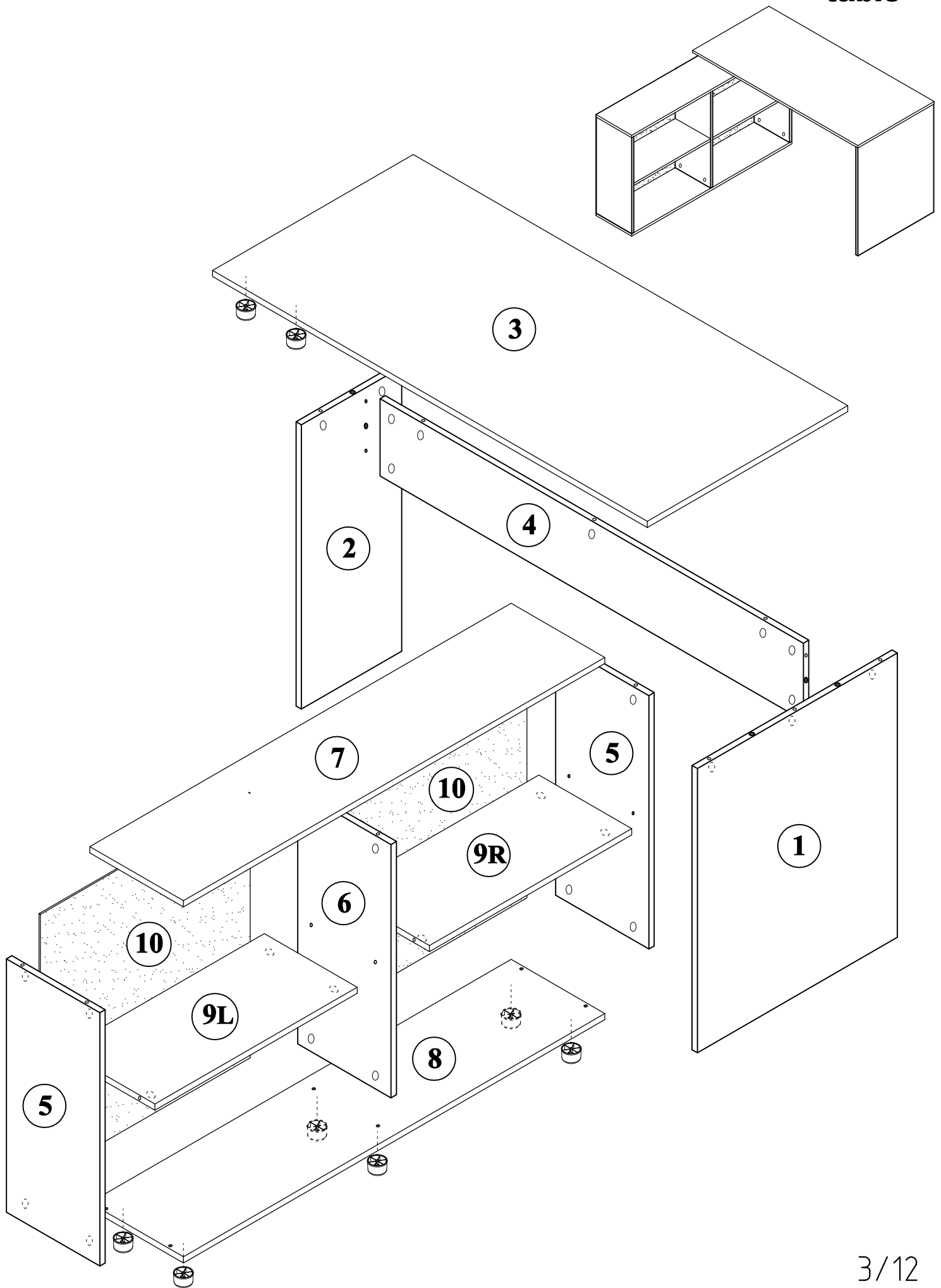




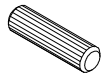
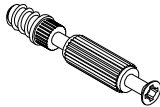


 (A1) 8*30mm x5	 (C1) 6*43mm x28	 (C2) 8*65mm x2
 (D) ϕ 20mm x32	 (D1) 15/16 x32	 (E7) 3,5*20mm x8
 (K1) x5	 (K30) ϕ 45*h25 x8	 (R3) 1.4*25mm 0.020kg
 (R4) N°4 x1	 (U5) 20*20mm x2	

No	a*b	x	N°→...	No	a*b	x	N°→...
1	736x598	x1	1/1	8	1260x280	x1	1/1
2	736x300	x1	1/1	9L	605x278	x1	1/1
3	1300x600	x1	1/1	9R	605x278	x1	1/1
4	1266x200	x1	1/1	10	627x685	x2	1/1
5	656x279	x2	1/1				
6	656x279	x1	1/1			x1	1/1
7	1260x280	x1	1/1				

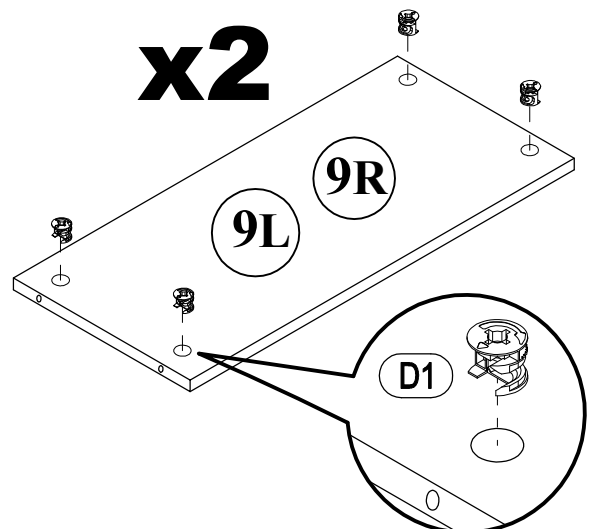
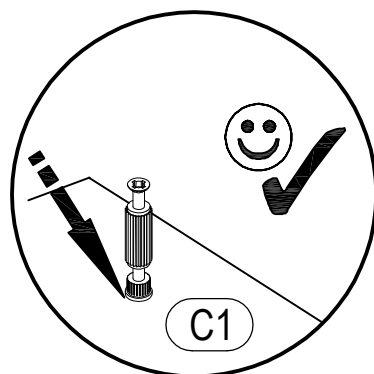
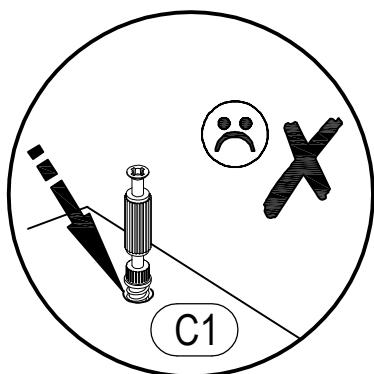
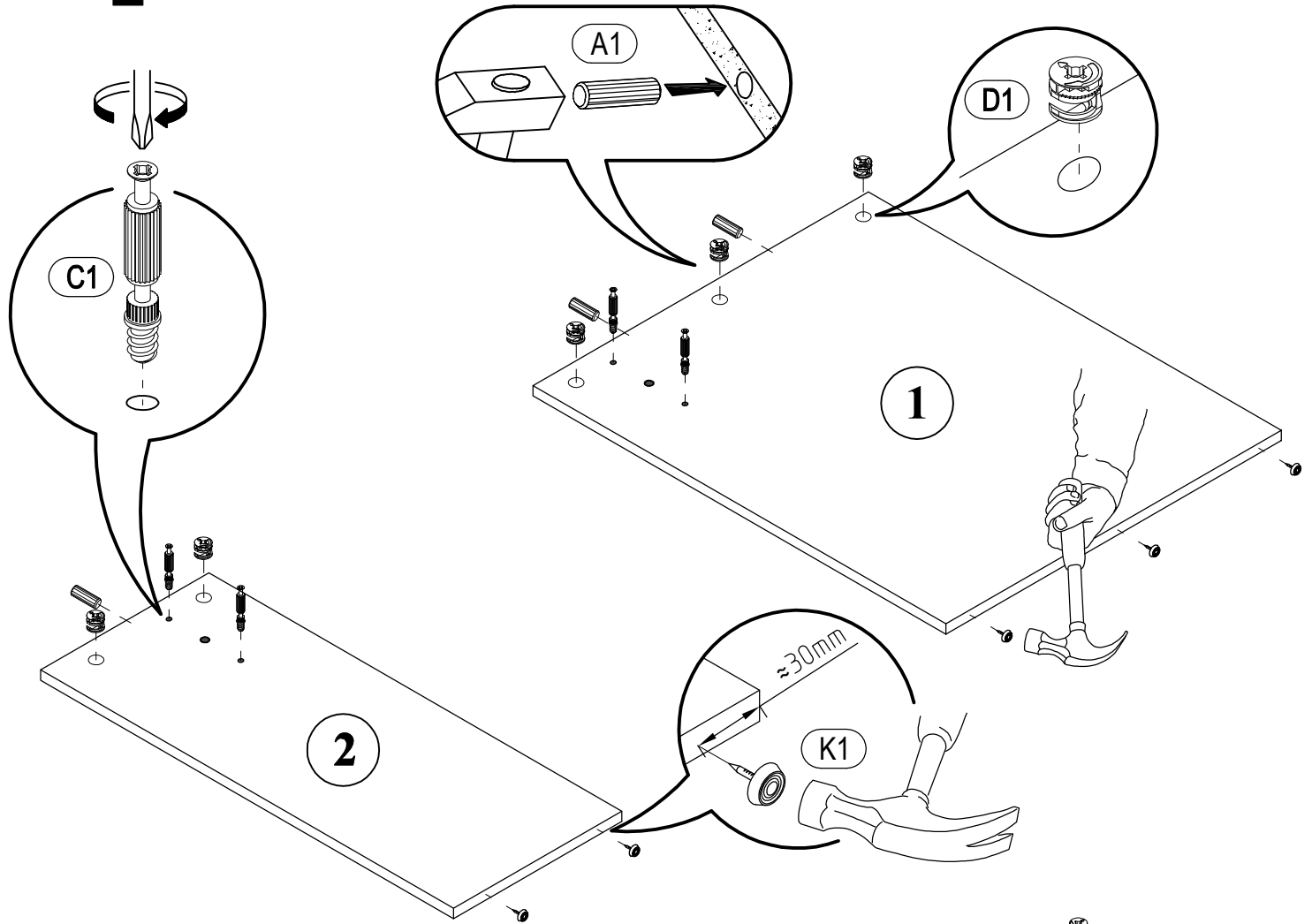
Murcia table



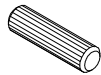
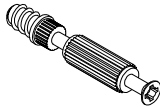

Murcia table

 A1 8*30mm x3	 C1 6*43mm x4	 D1 15/16 x13
		 K1 x5

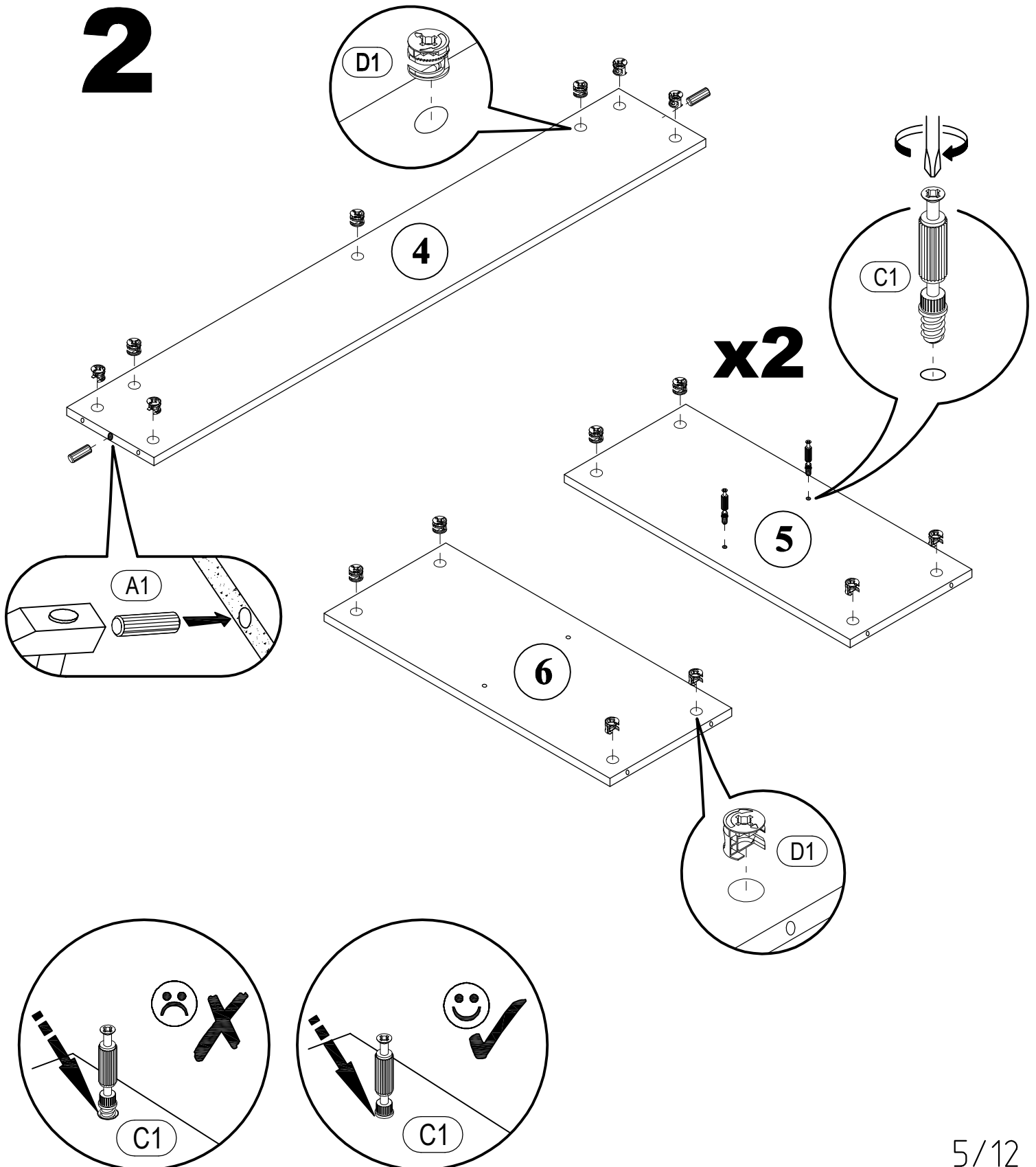
1



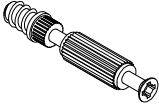

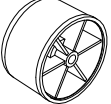

Murcia table

 A1 8*30mm x2	 C1 6*43mm x4	 D1 15/16 x19
---	---	---

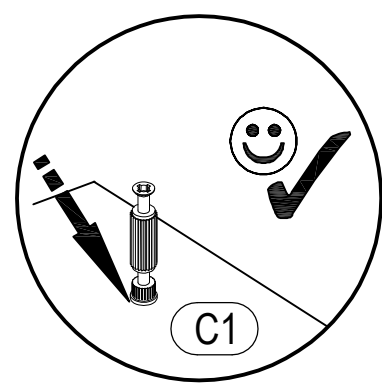
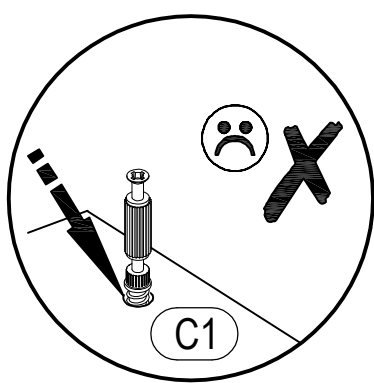
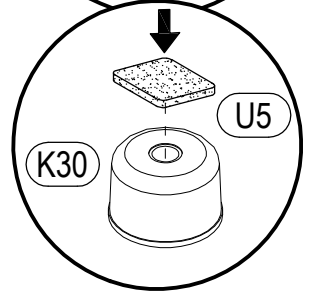
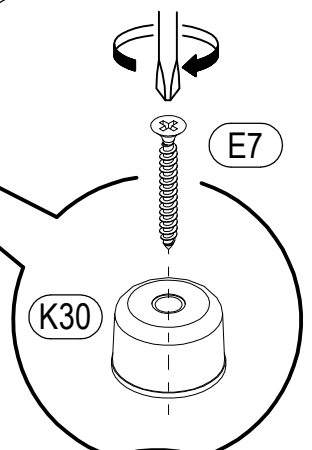
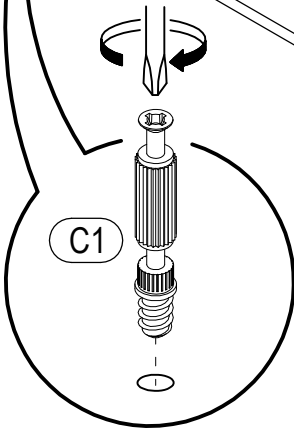
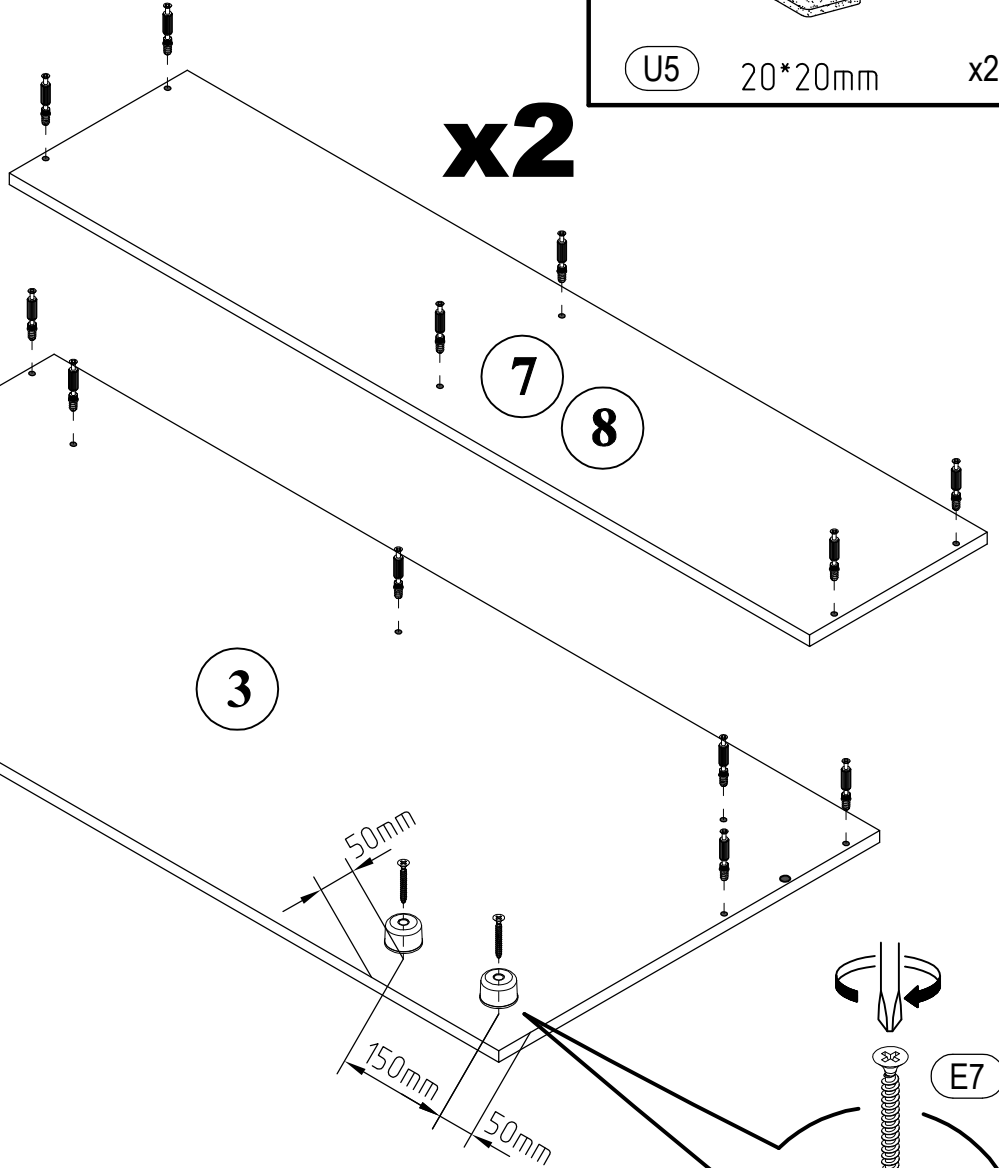
2



Murcia table

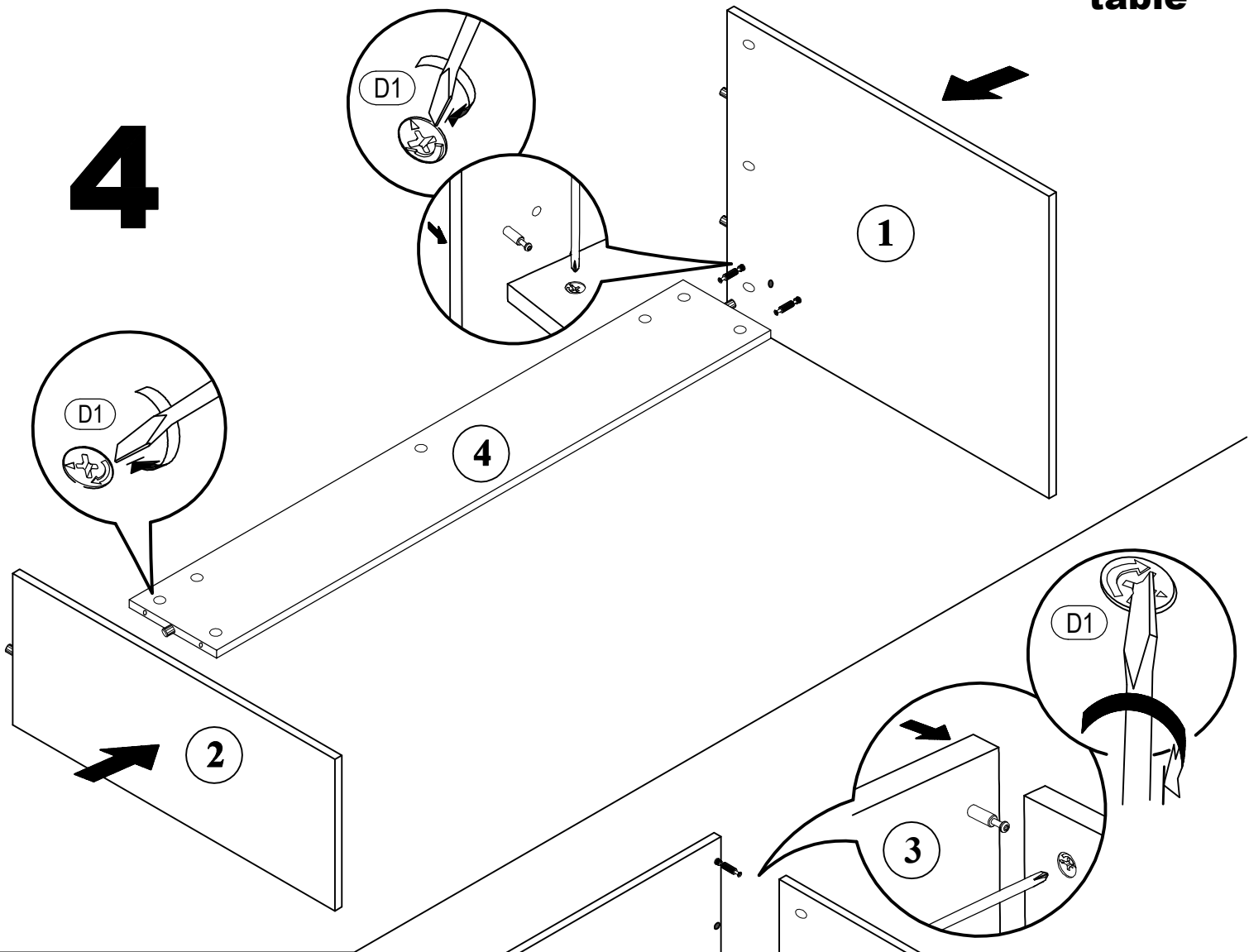
 (C1) 6*43mm x20	 (E7) 3,5*20mm x2	 (K30) $\phi 45$ *h25 x2
		 (U5) 20*20mm x2

3

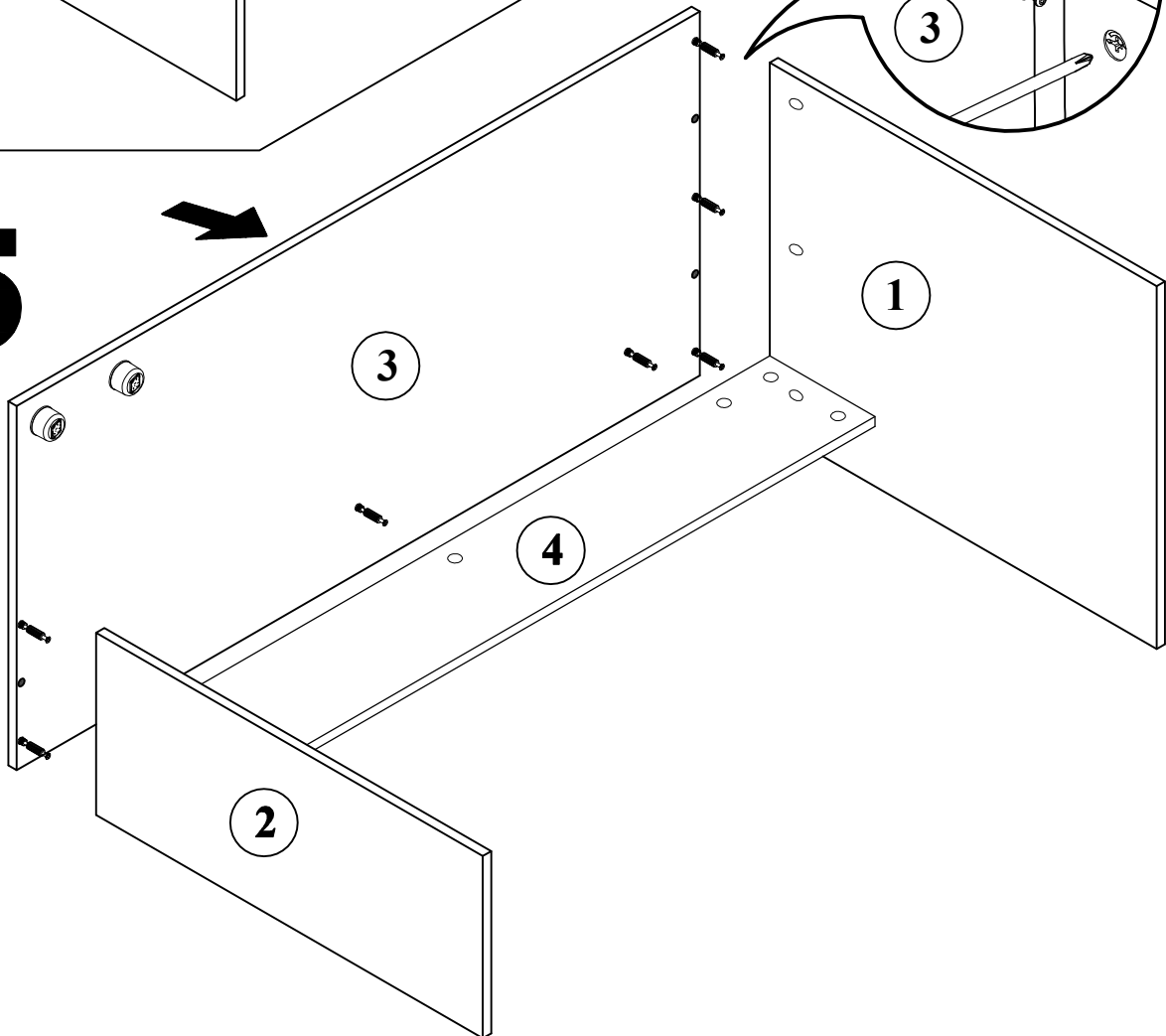


Murcia
table

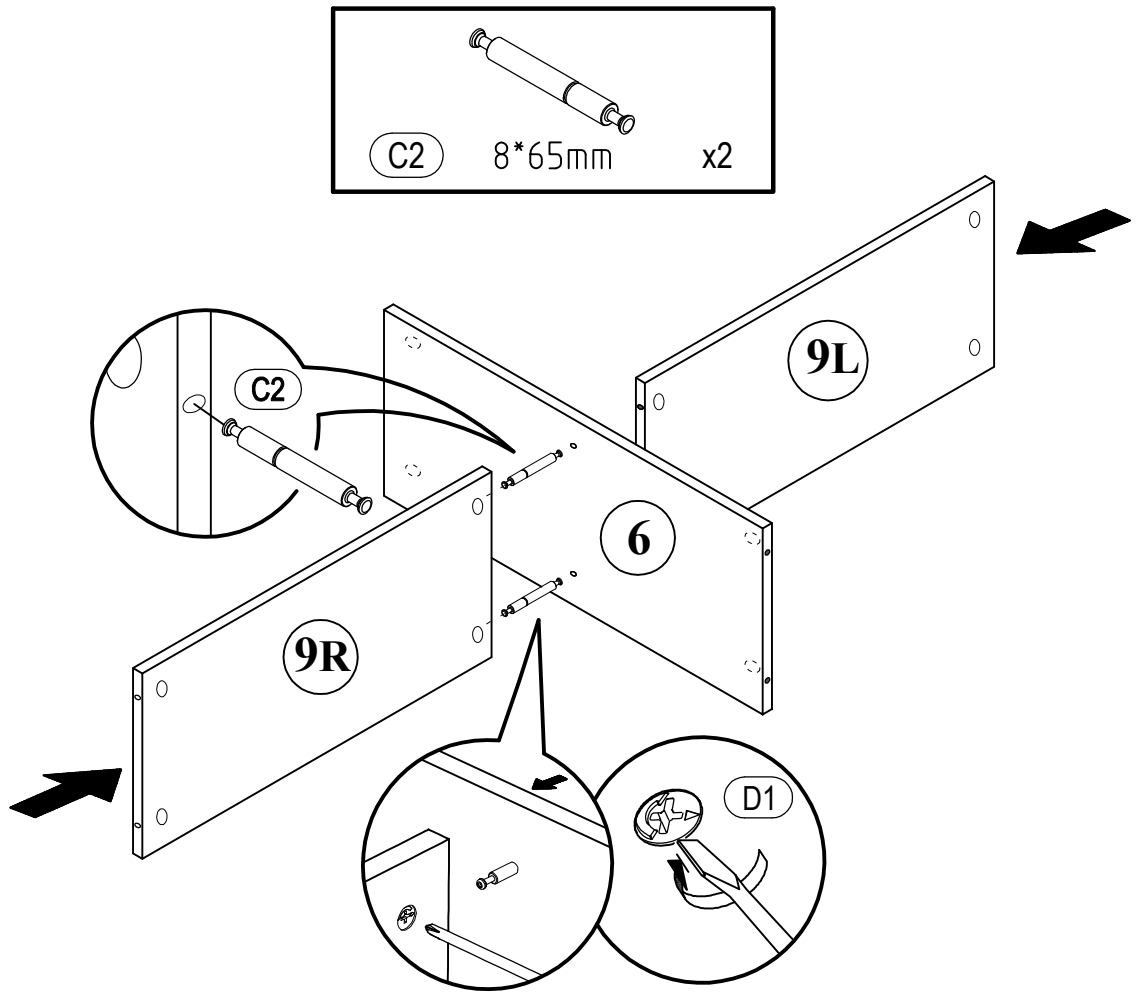
4



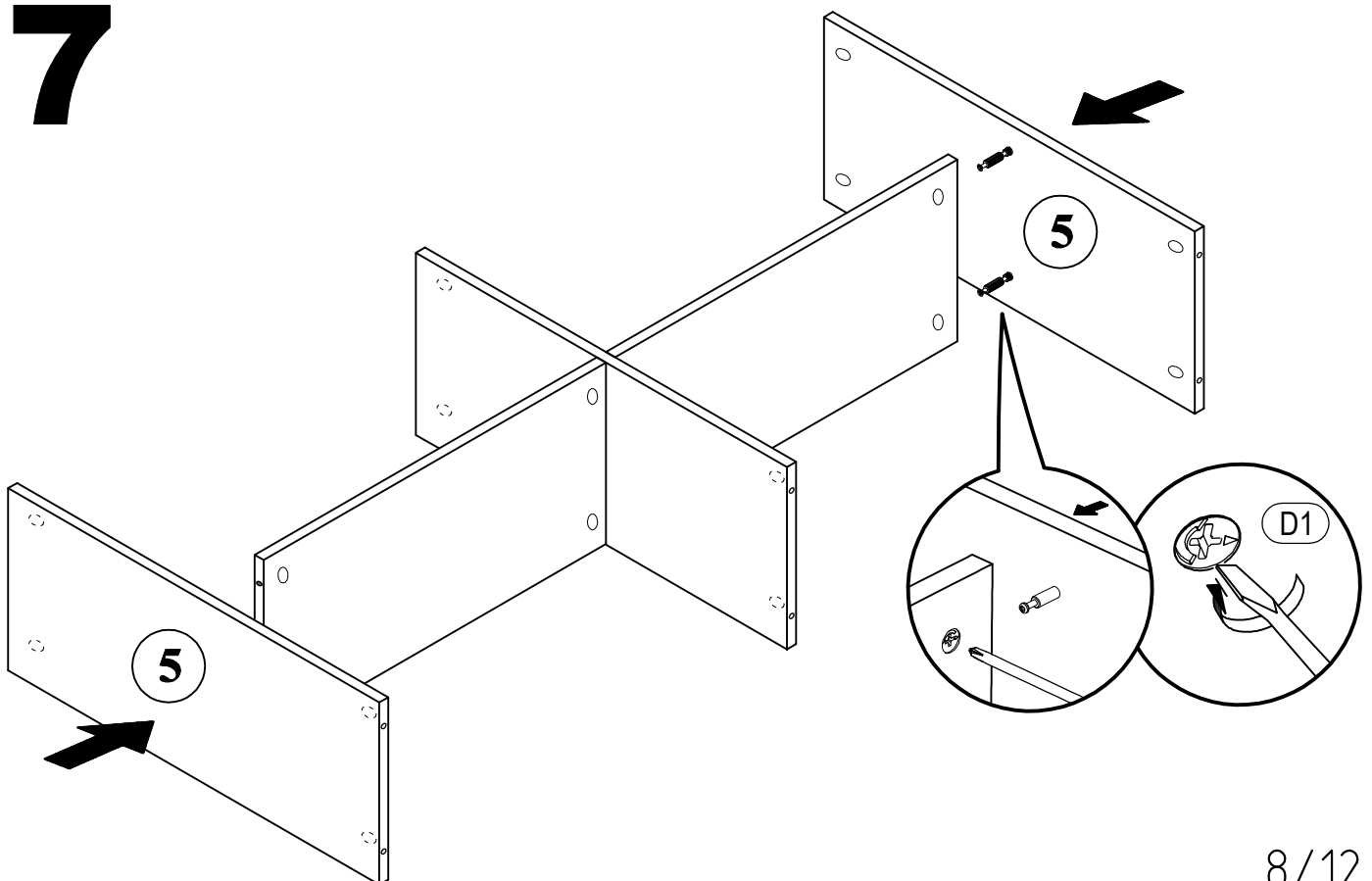
5



6

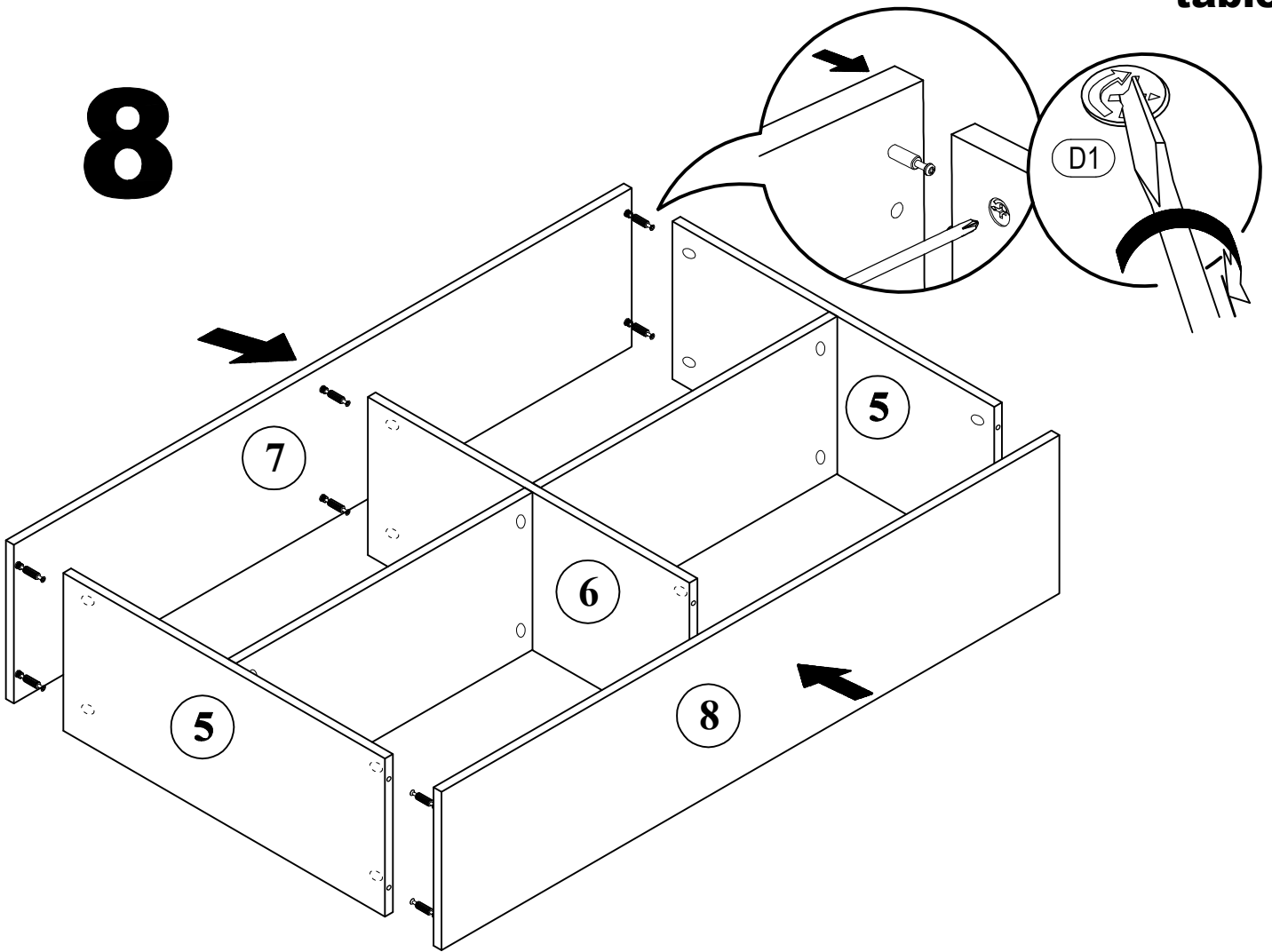


7

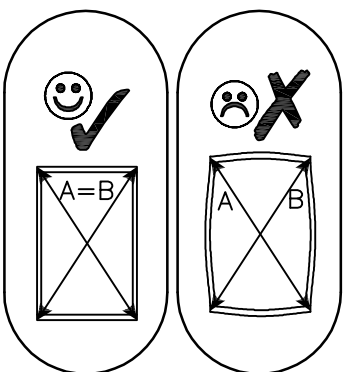
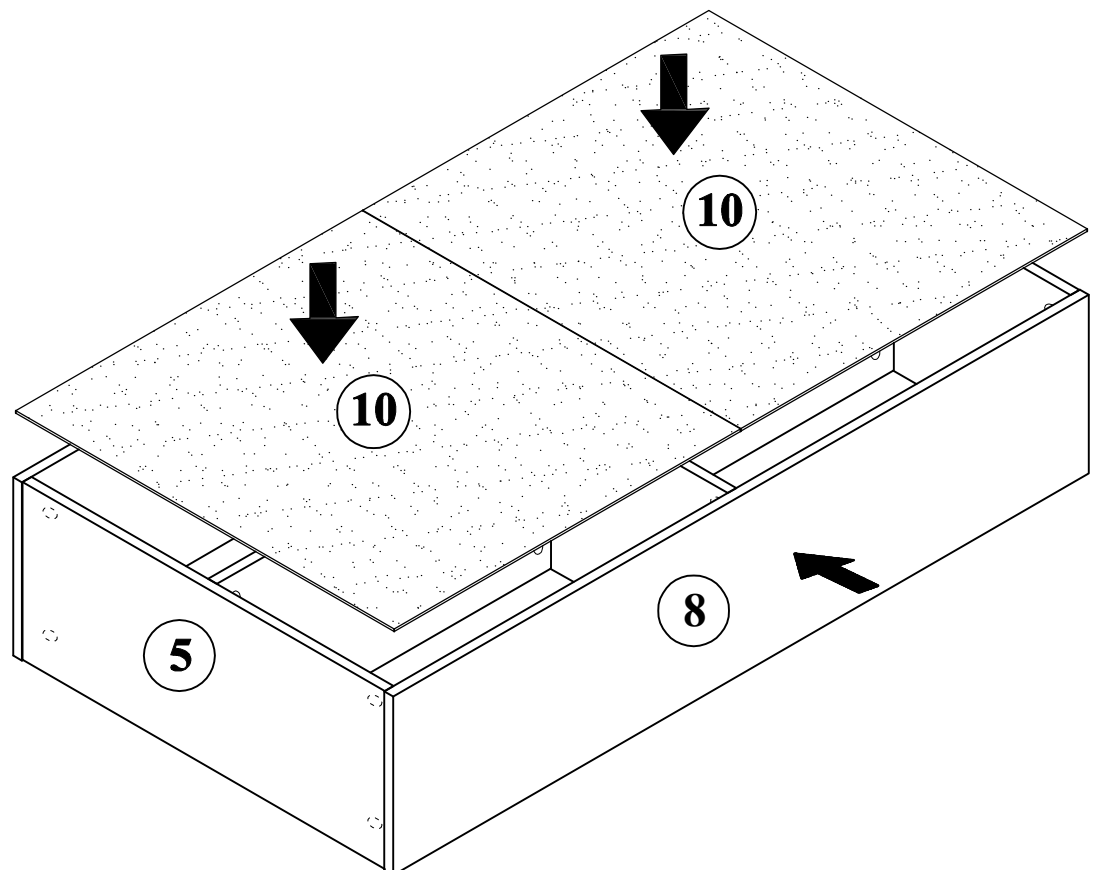


Murcia
table


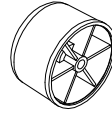

8



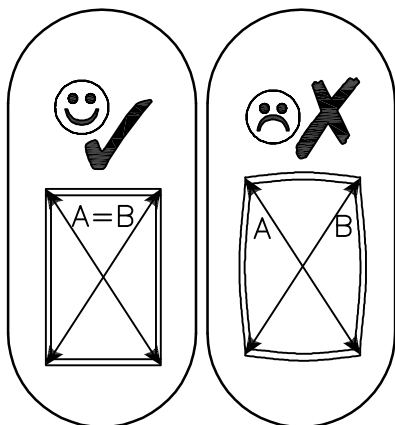
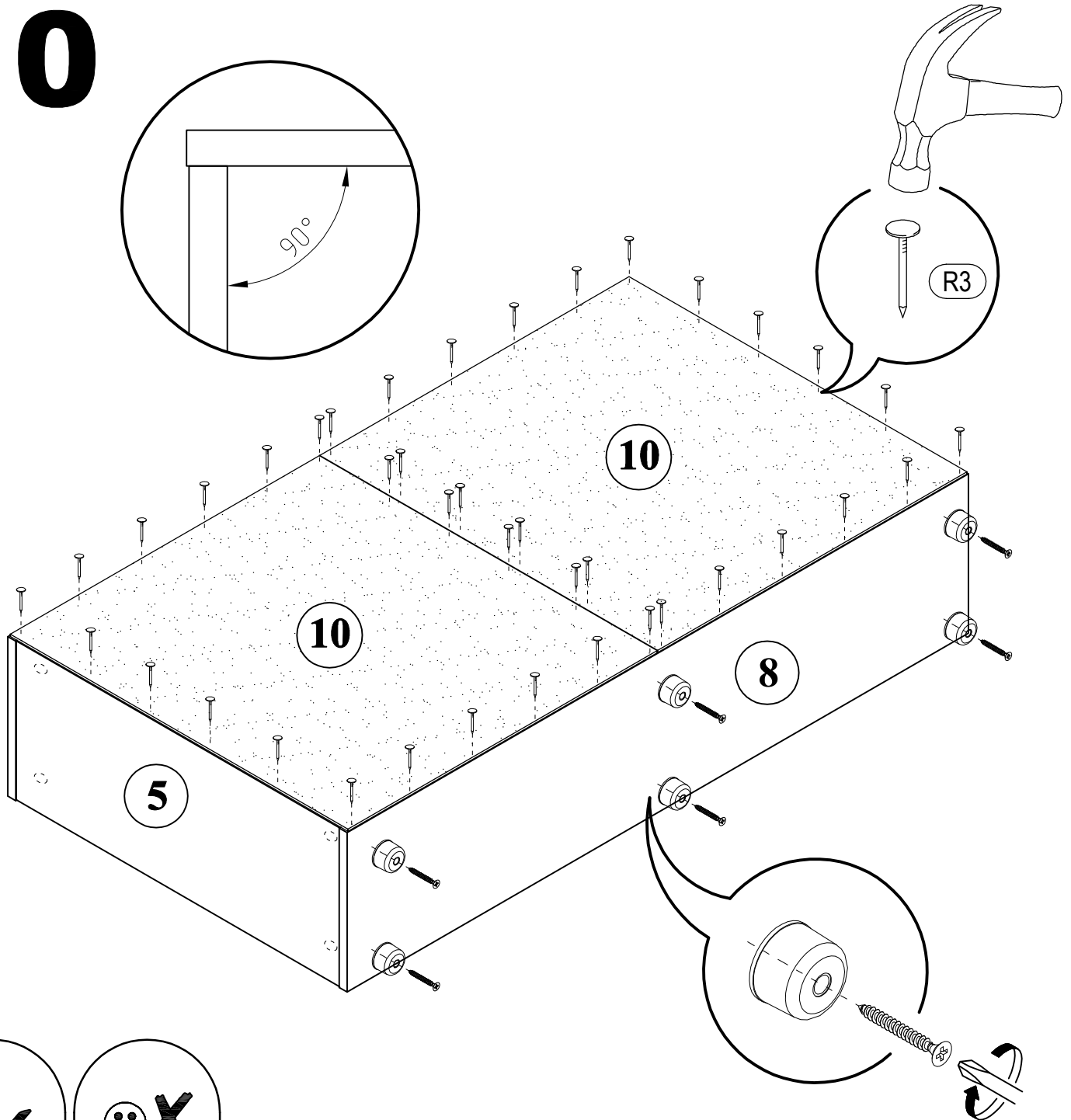
9



Murcia table

 E7 3,5*20mm x6	 K30 $\phi 45$ *h25 x6	 R3 1.4*25mm 0.020kg
--	---	---

10



Murcia
table

11

