

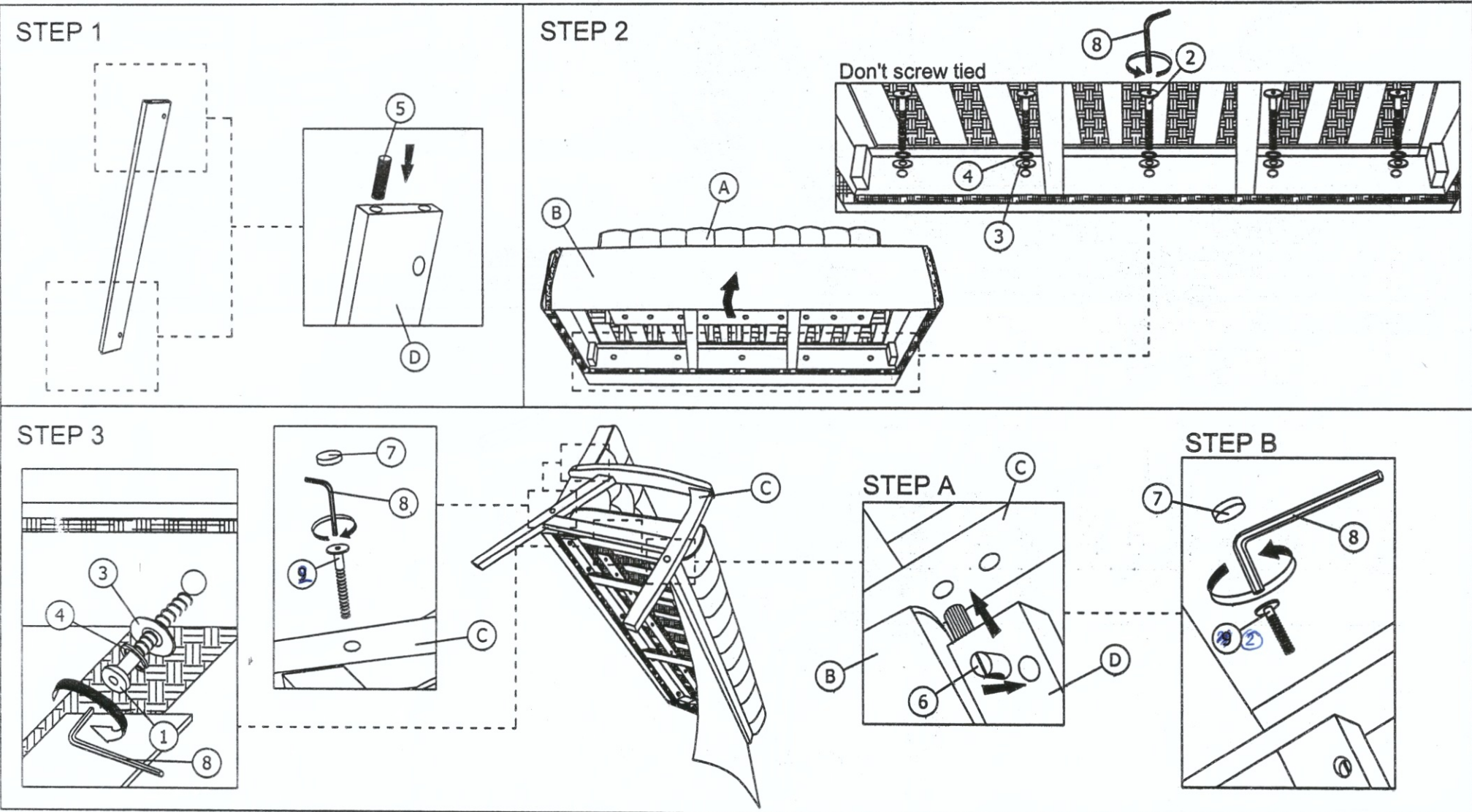
Read this instruction carefully. See hardware and furniture part list for guidance. Be sure all parts are complete, before you assemble. Place all wooden furniture parts on a clean and flat soft surface to prevent from being scratched. Follow the figure to start assembling.

**CAUTIONS :** 1. Do not FULLY - TIGHTEN the nut or nut bolt until all nut or bolt is ready assembled.  
 2. Do not OVER - TIGHTEN the nut or bolt to avoid causing damages to the thread.  
 3. Keep all hardware parts out of reach of children.

NOTE : THE LIST AND QUANTITY SHOWN ARE FOR 1 UNIT ASSEMBLY.

PART LIST		
ITEM	DESCRIPTION	QTY
A	BACK	1 PC
B	SEAT	1 PC
C	ARM	2 PCS
D	FRONT RAIL	2 PCS

PART LIST		
ITEM	DESCRIPTION	QTY
1	JCBB Bolt M8 x 40mm	2pcs
2	JCBB Bolt M8 x 60mm	11pcs
3	M8 Flat Washer	7pcs
4	M8 Spring Washer	7pcs
5	Wood Dowel M10 x 40mm	2pcs
6	M8 Bran Nut	2pcs
7	Wood Button Dia 18.5mm	6pcs
8	M5 Allen Key (Ball Shape)	1pc

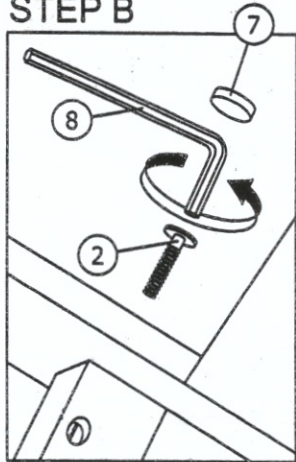


# ASSEMBLY INSTRUCTIONS

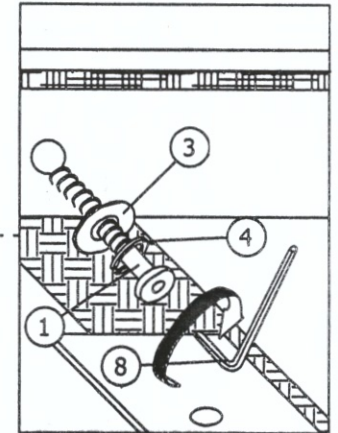
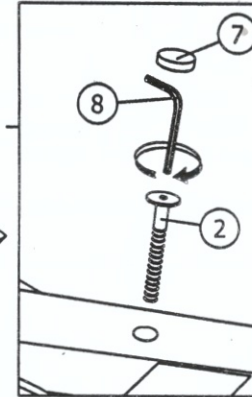
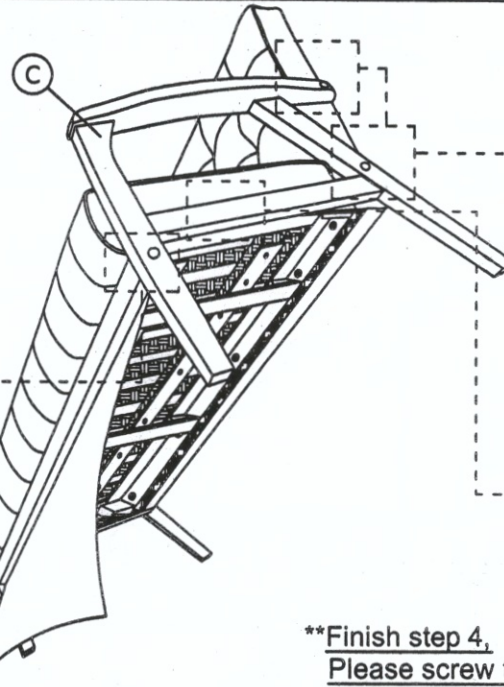
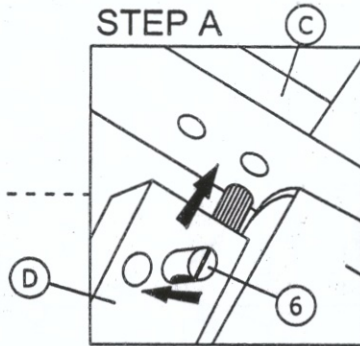
PAGE 2 OF 2

## STEP 4

### STEP B



### STEP A



**\*\*Finish step 4,  
Please screw tied the step 2 bolt.**

## STEP 5

