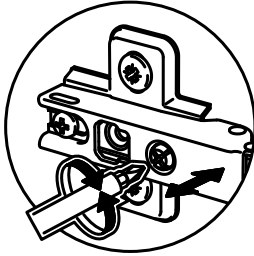
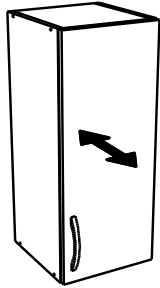
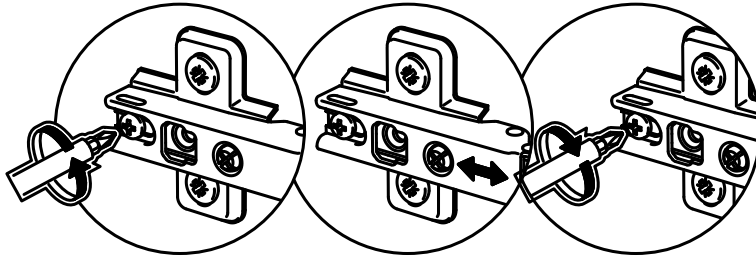
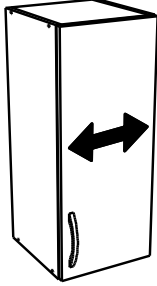
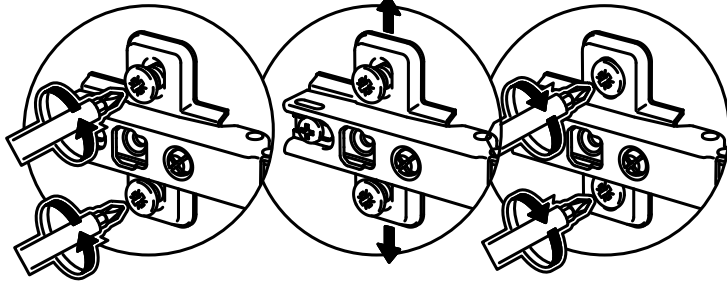
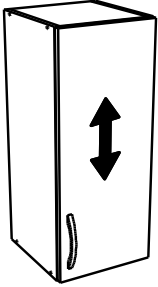
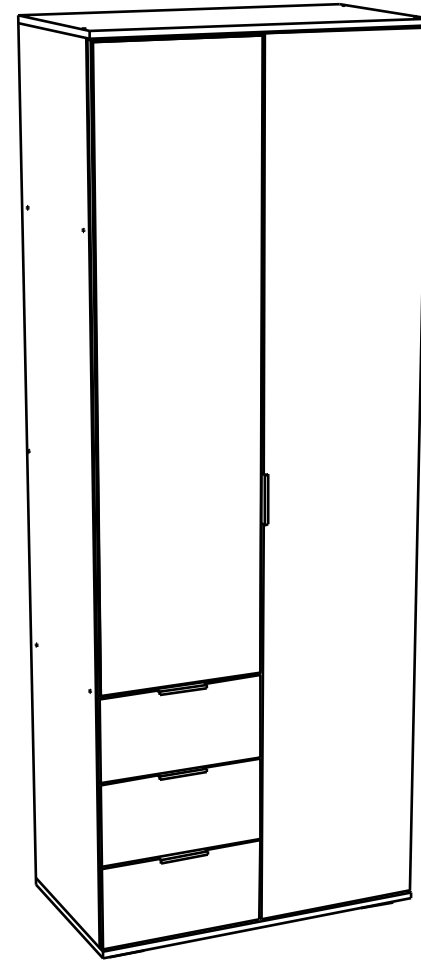
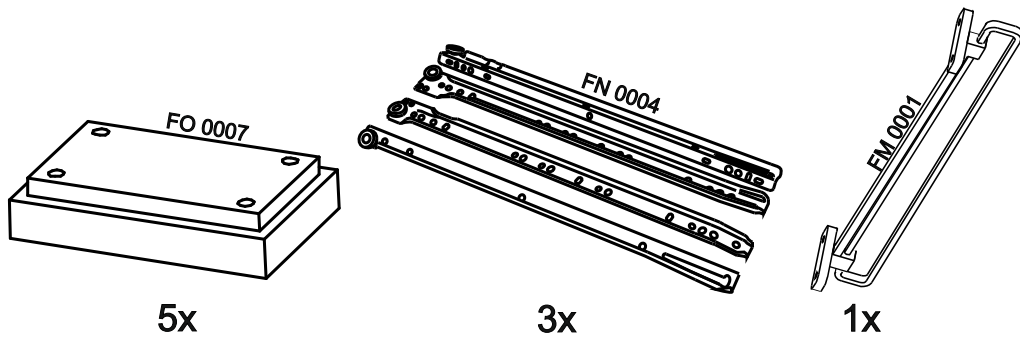
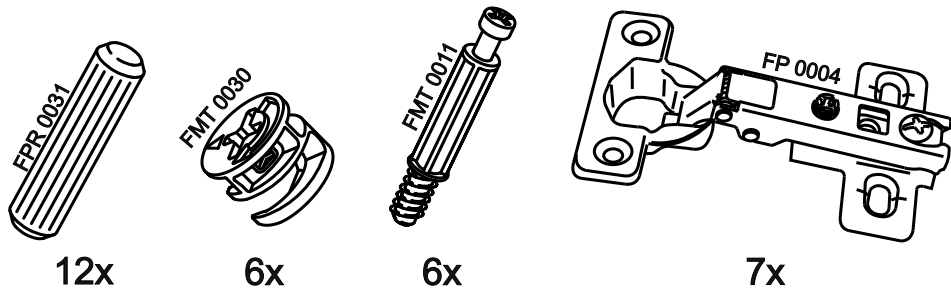
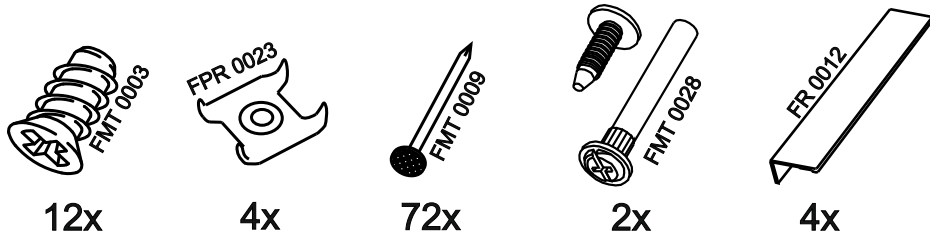
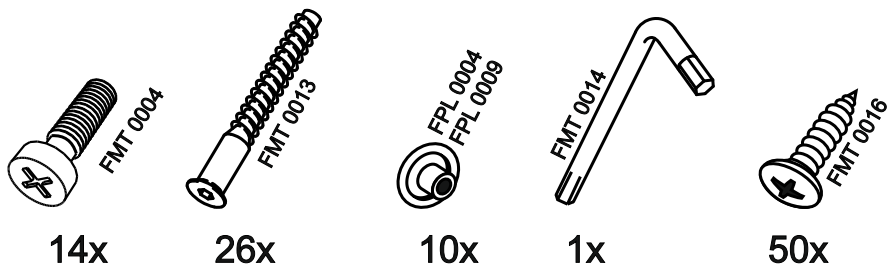


23

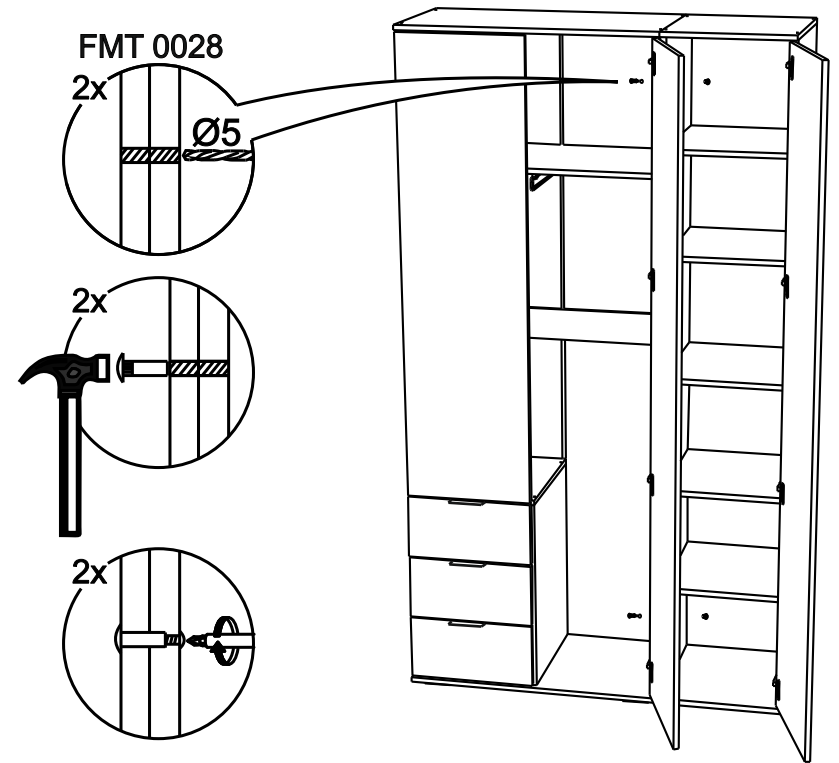


SK822

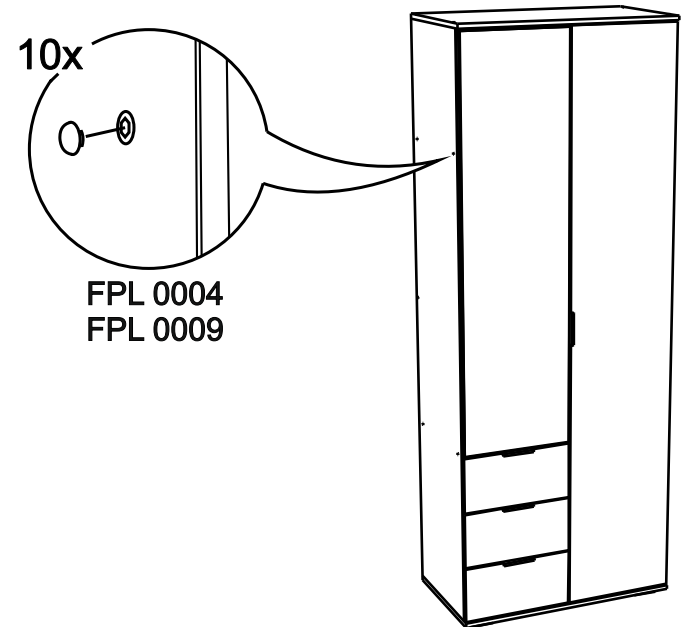


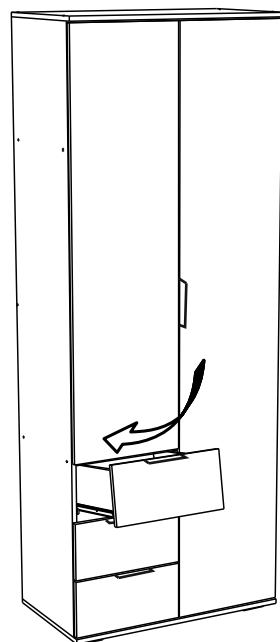
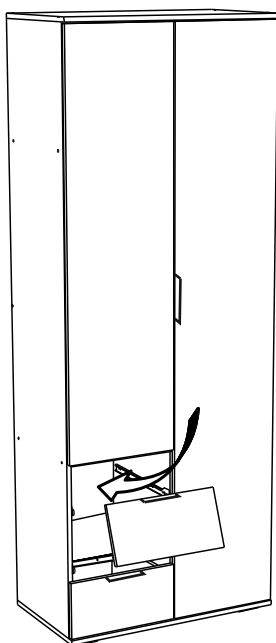
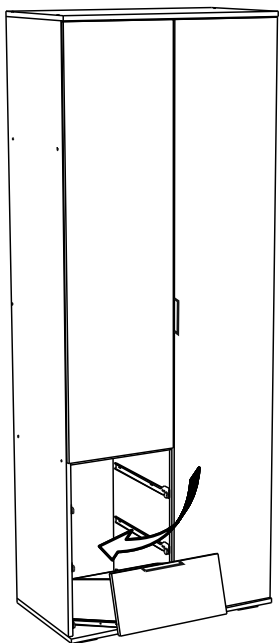


21



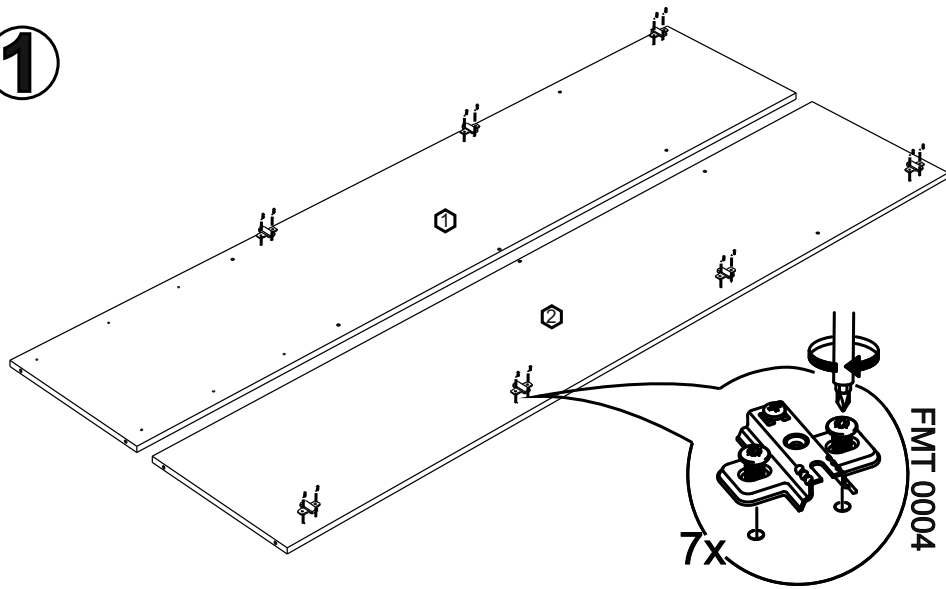
22



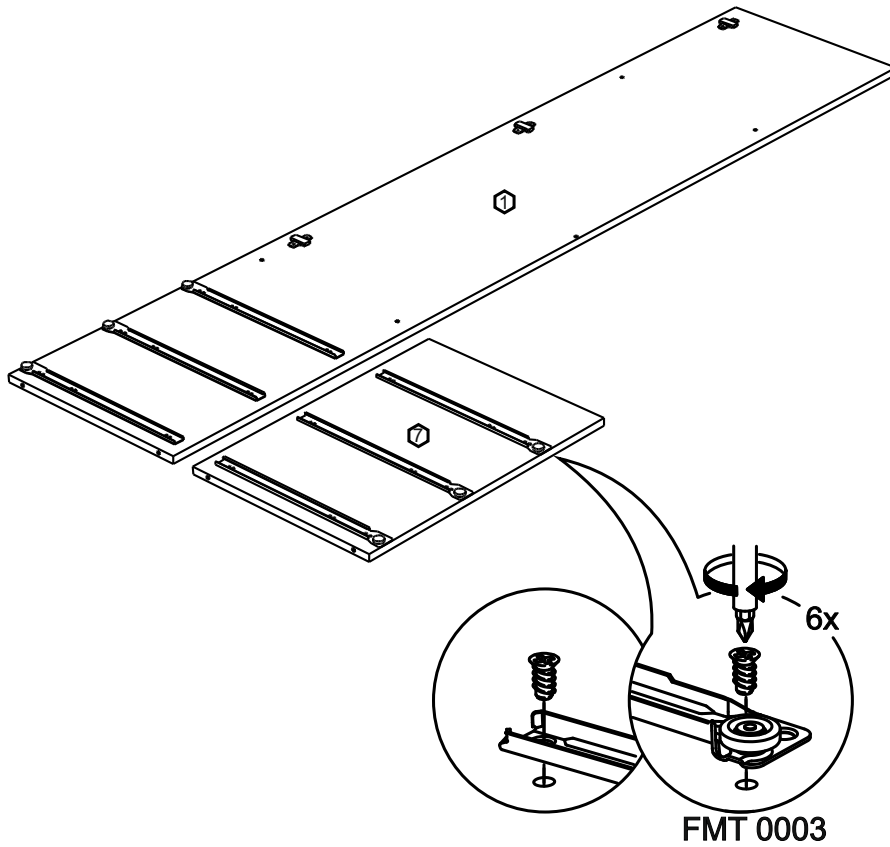


No	code	a*b	x
1	SK802.01	2068*426	1
2	SK802.02	2068*426	1
3	SK802.03	800*446	1
4	SK802.04	800*446	1
5	SK802.05	768*426	1
6	SK802.06	768*100	1
7	SK802.07	606*426	1
8	SK802.08	392*426	1
9	SK802.09	400*150	6
10	SK802.10	319*150	3
11	SK821M.07	2060*395	1
12	SK802M.11	1448*395	1
13	SK822M.12	395*200	3
14	SK802.13	1445	1
15	SK801.08	2095*396	2
16	SK802.14	405*348	3

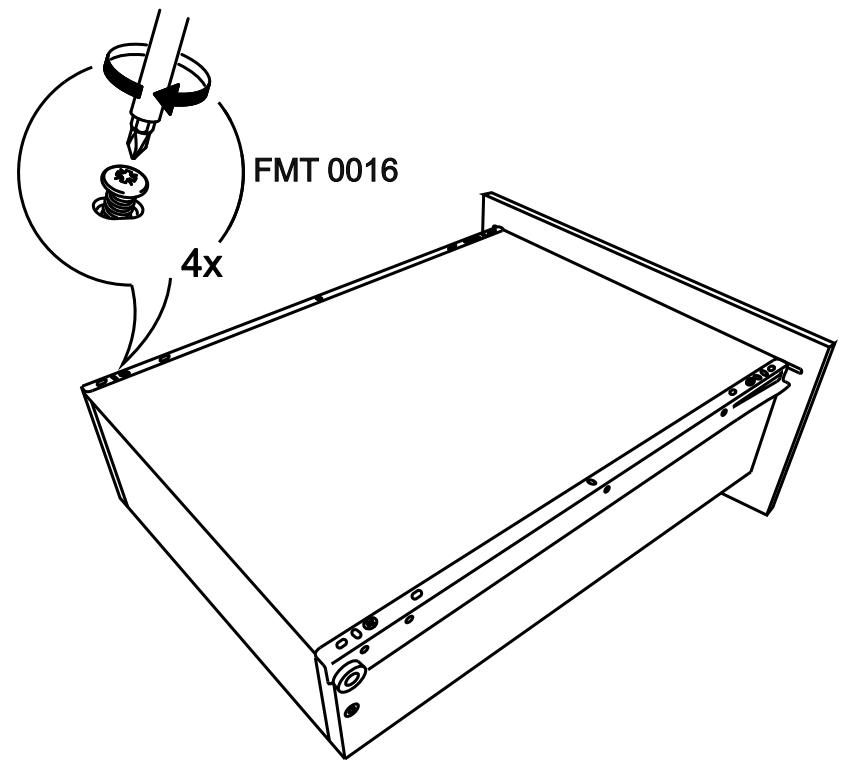
1



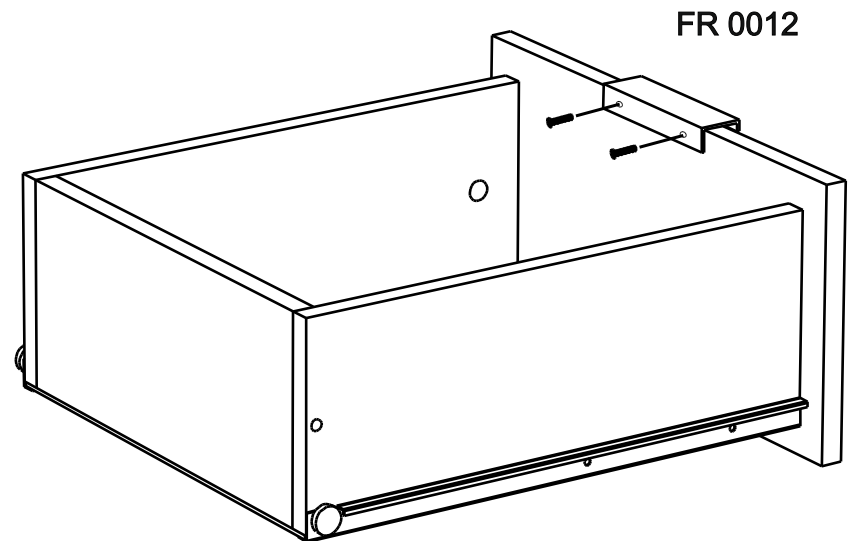
2



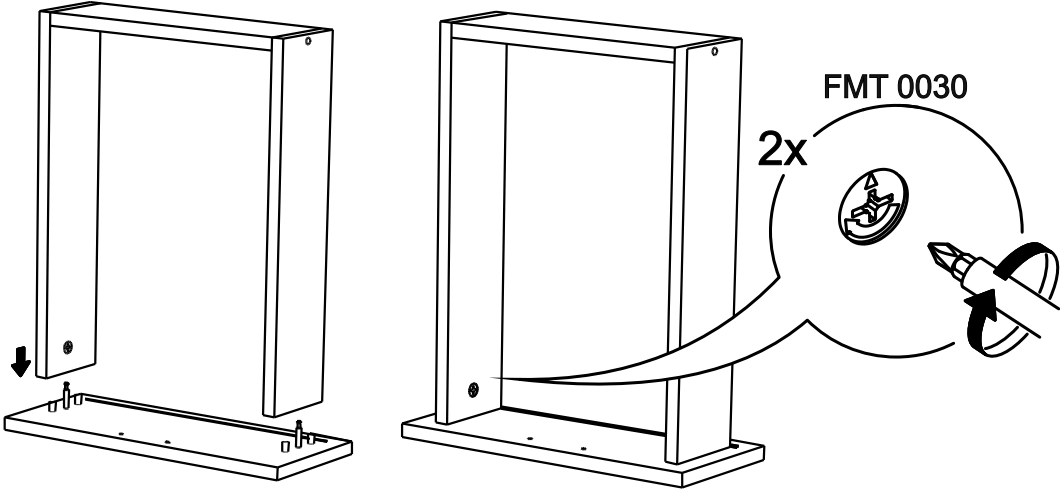
18



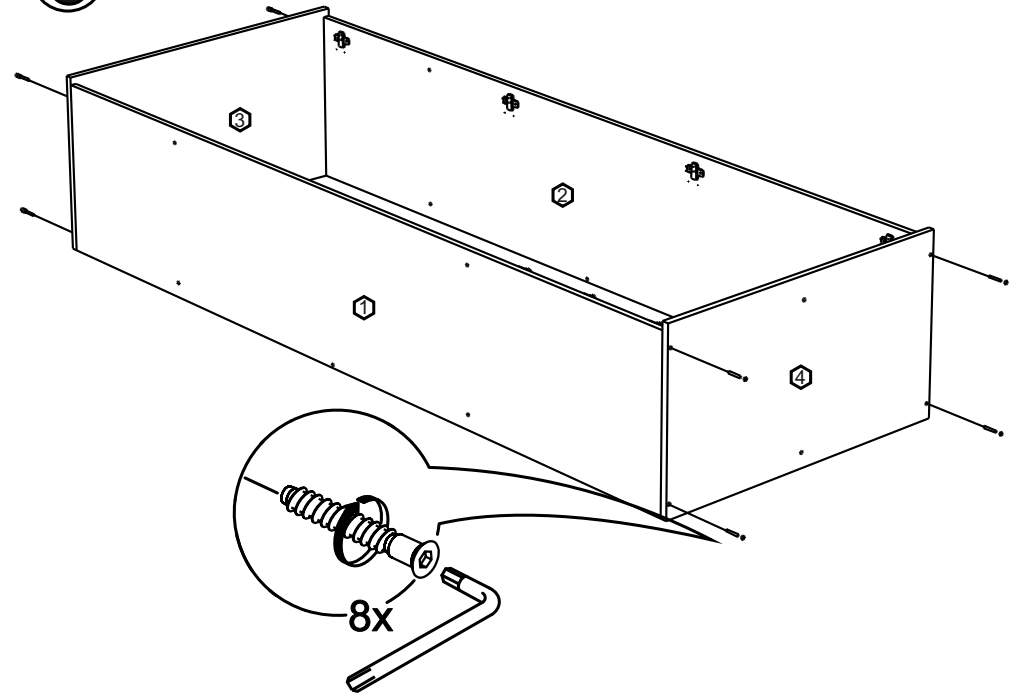
19



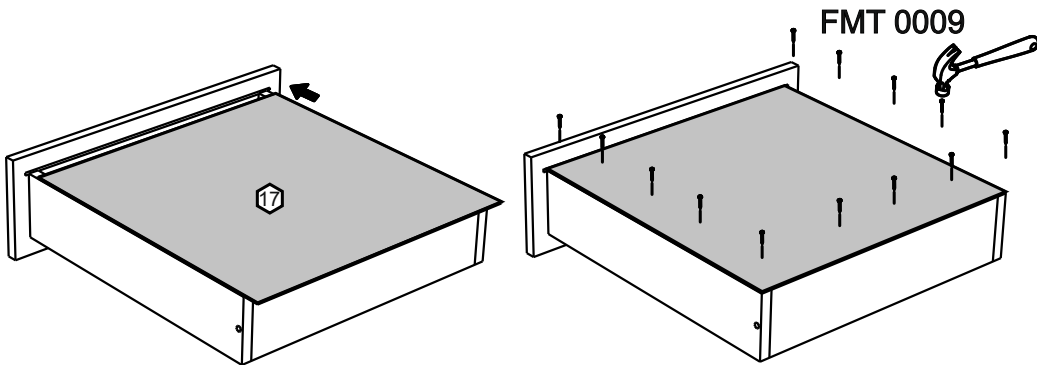
16



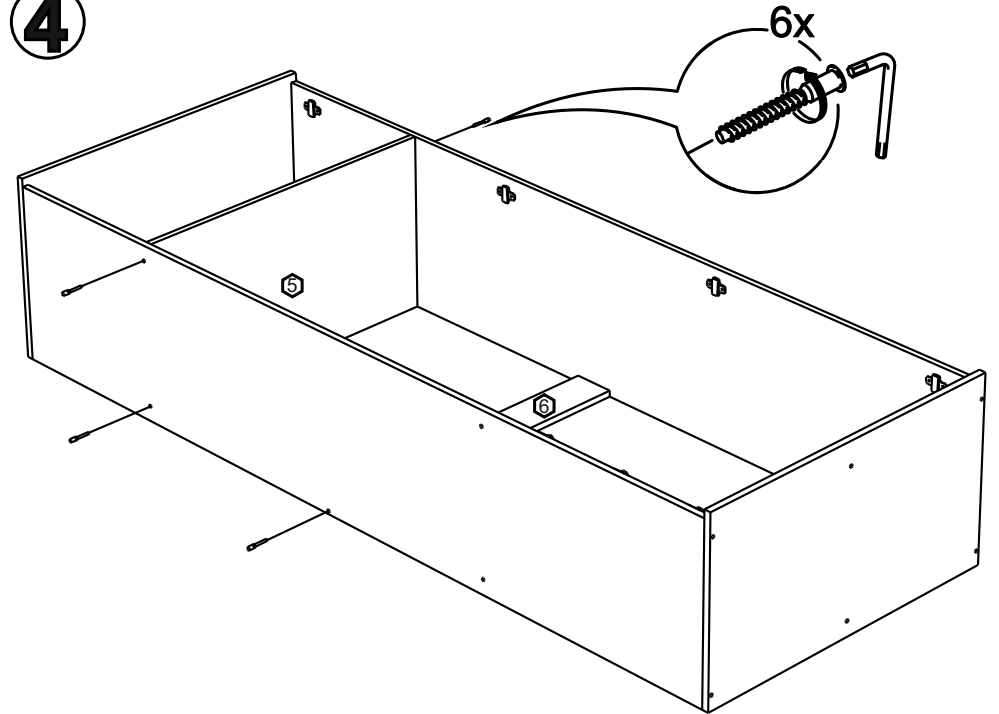
3



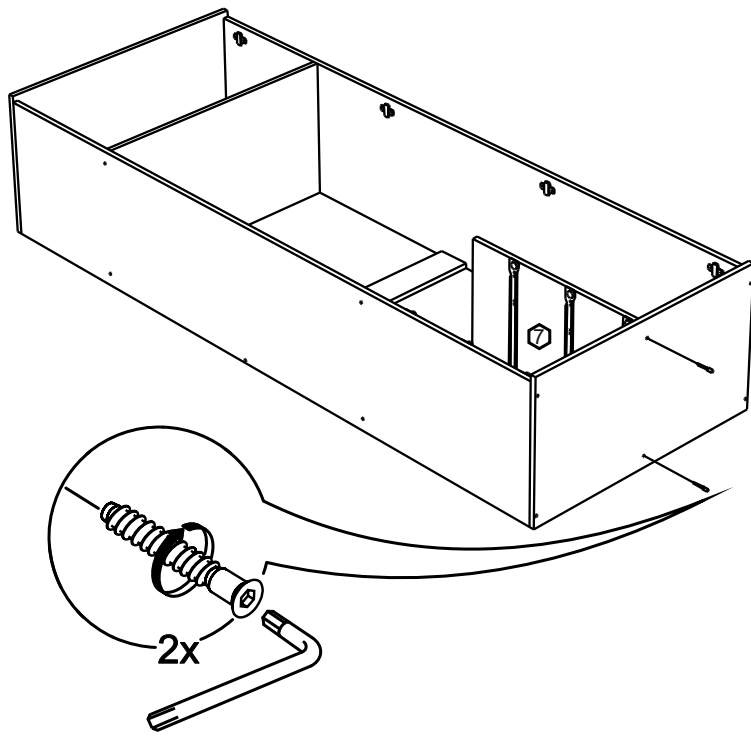
17



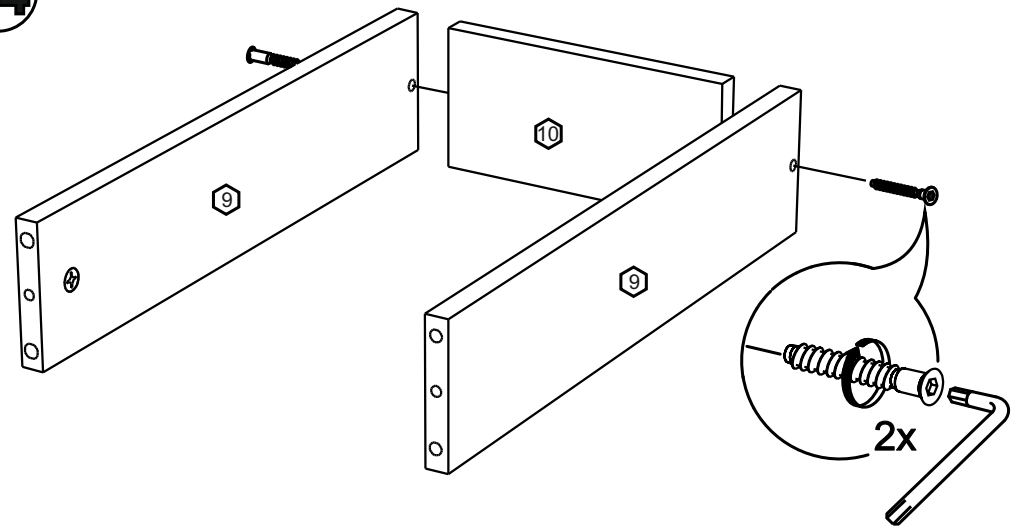
4



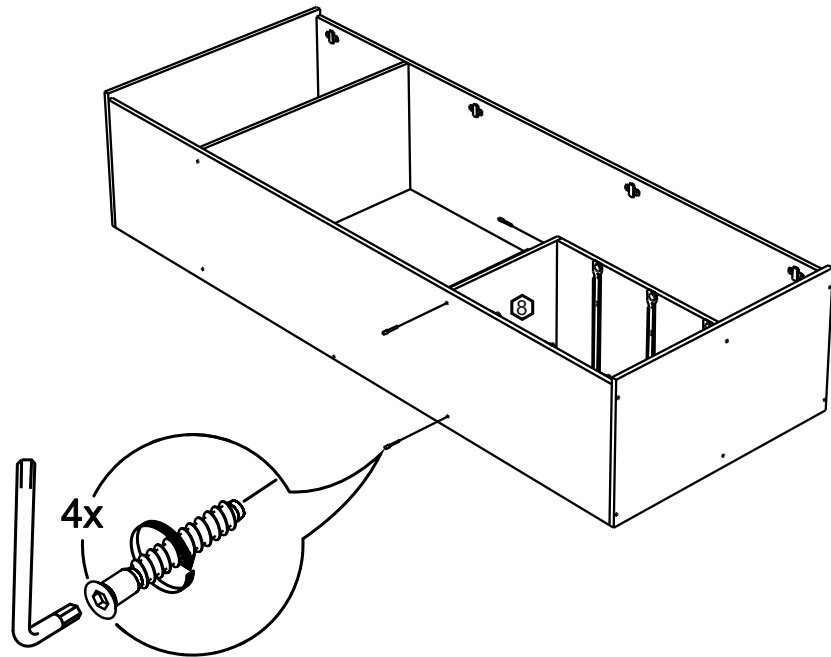
5



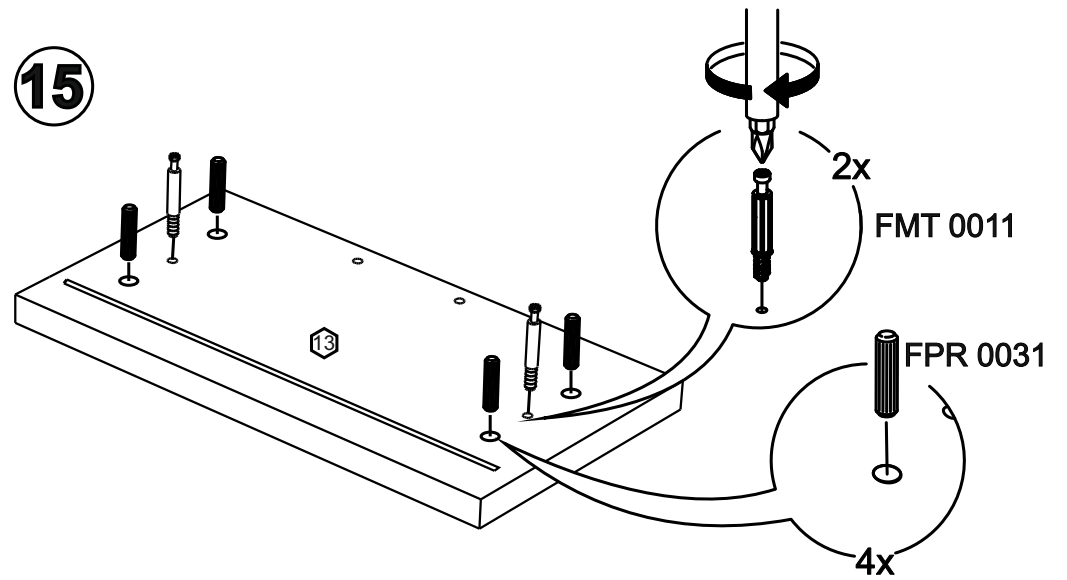
14



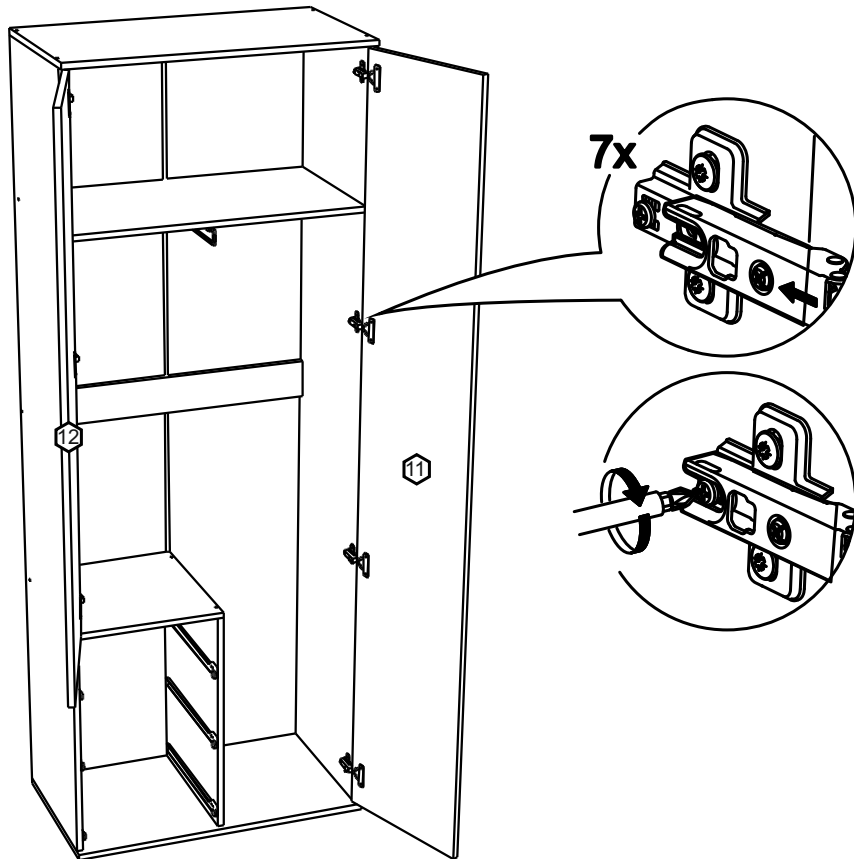
6



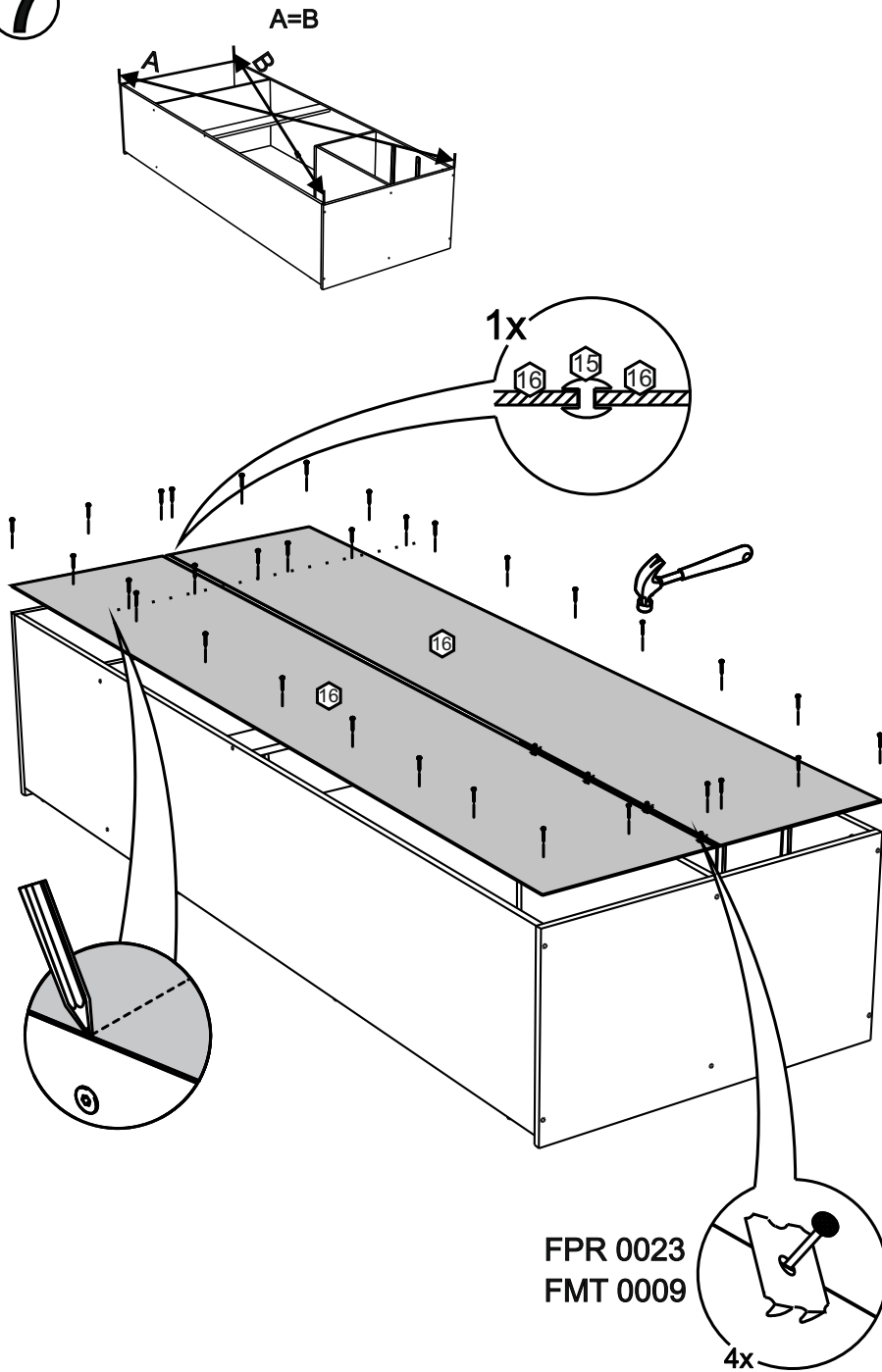
15



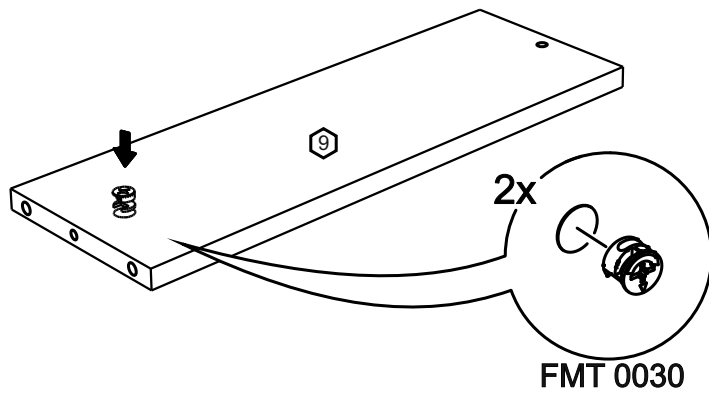
12



7

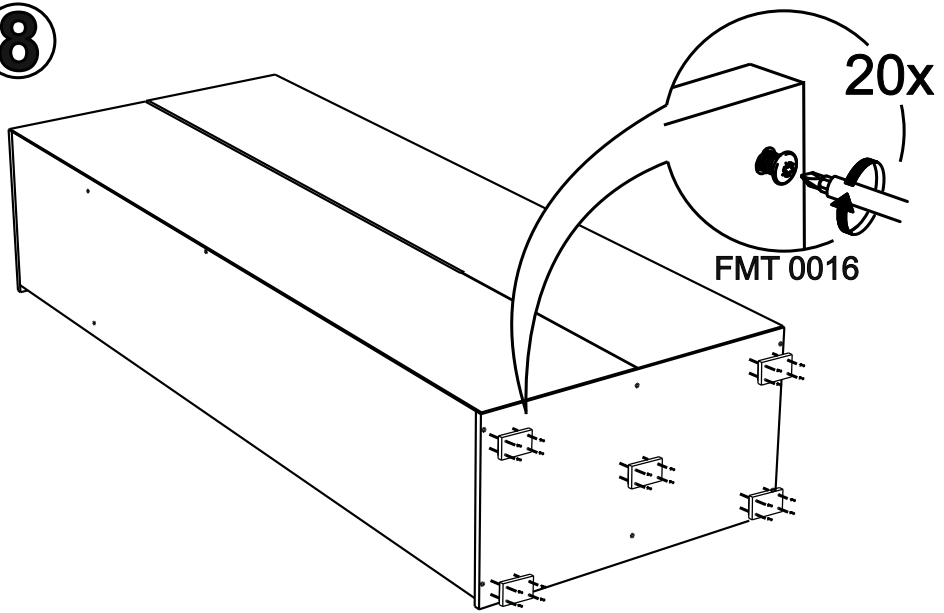


13

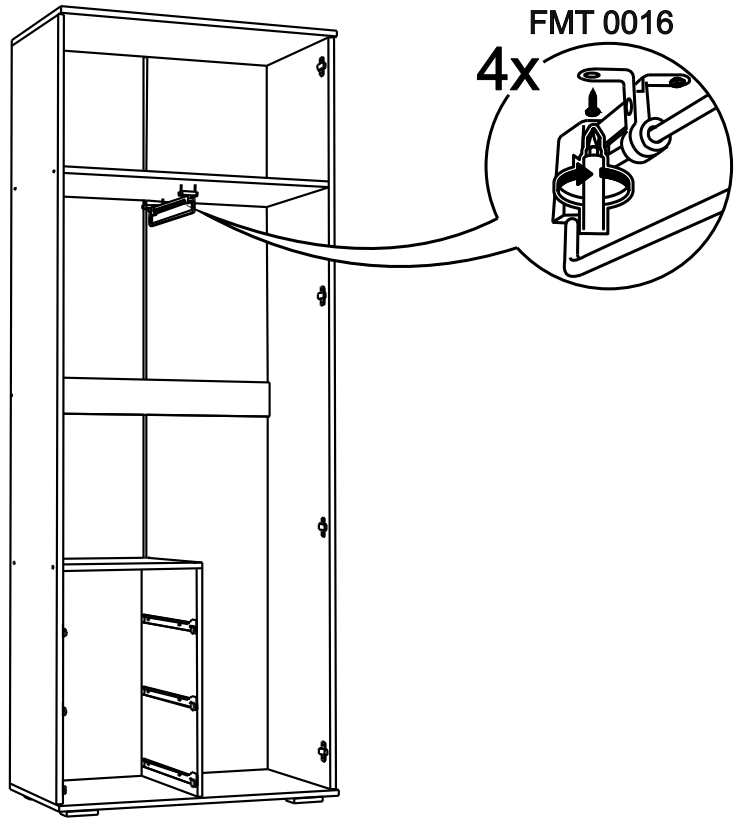


FPR 0023
FMT 0009

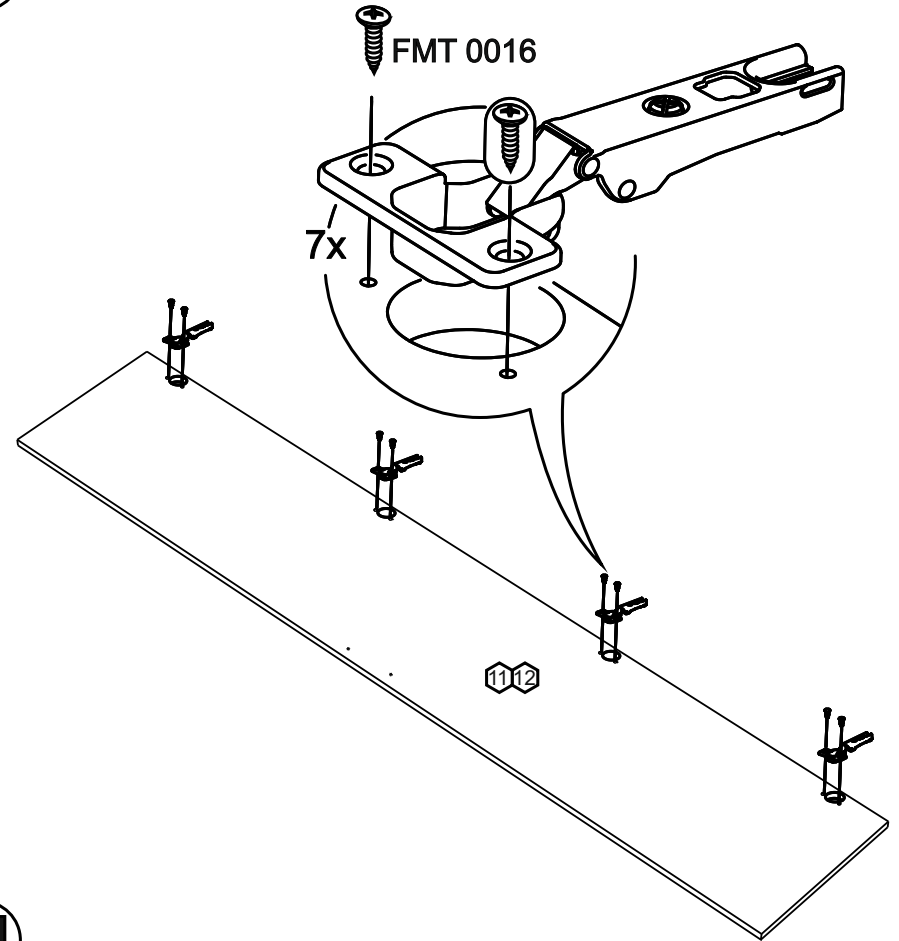
8



9



10



11

