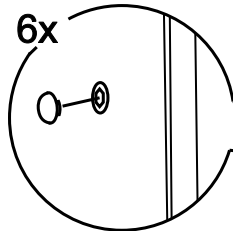
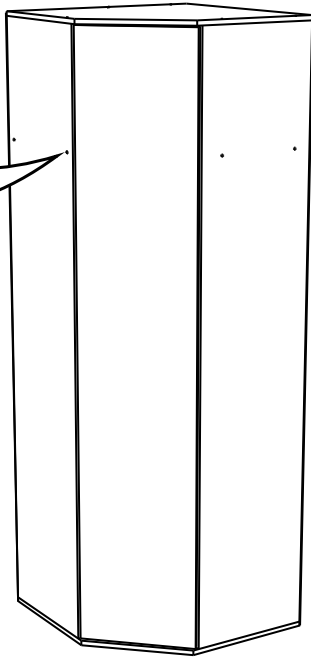


16

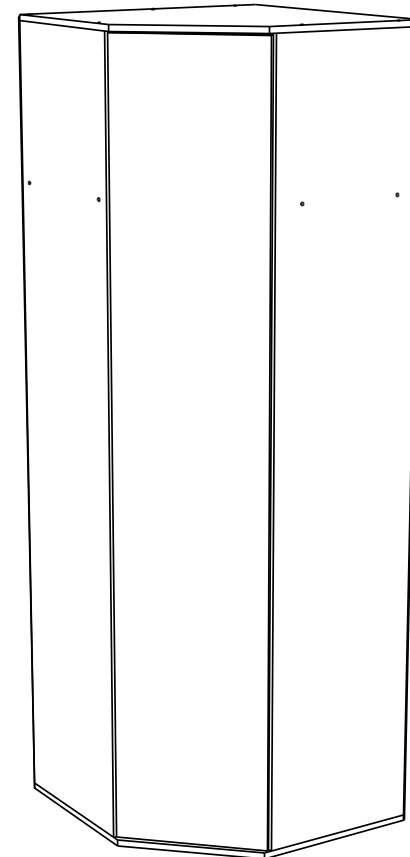
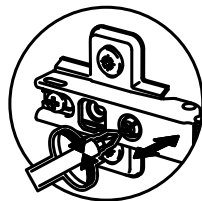
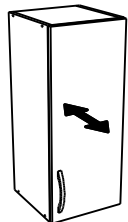
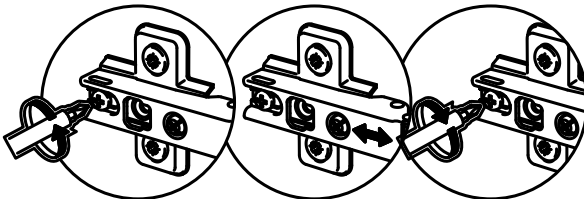
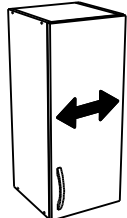
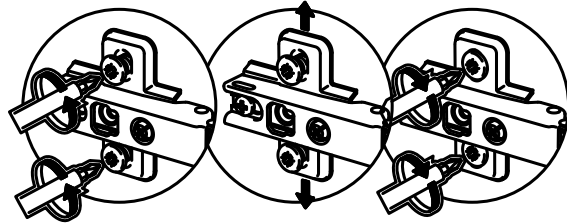
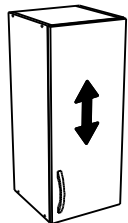


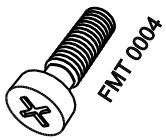
FPL 0004
FPL 0009



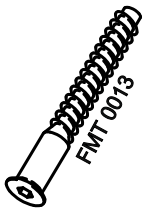
SK824

17





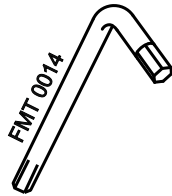
8x



22x



6x

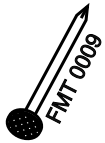
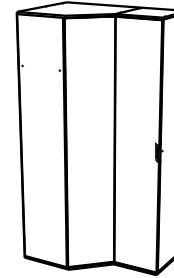
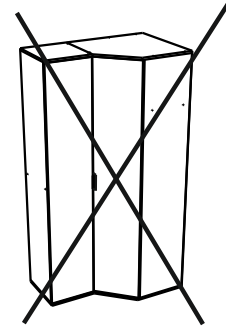
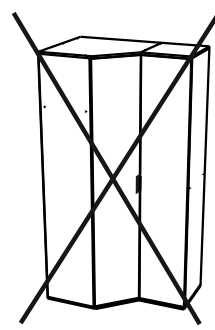


1x



53x

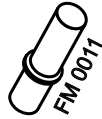
15



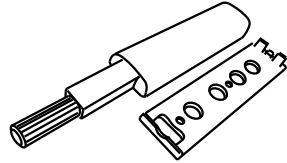
63x



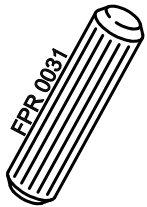
2x



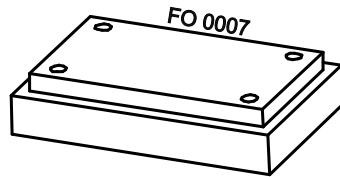
12x



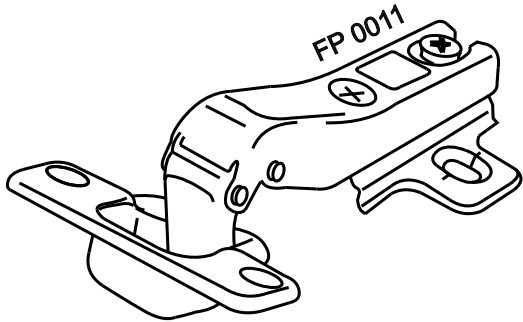
1x



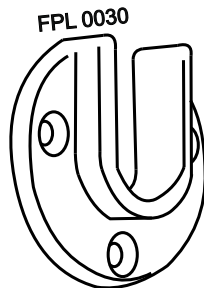
2x



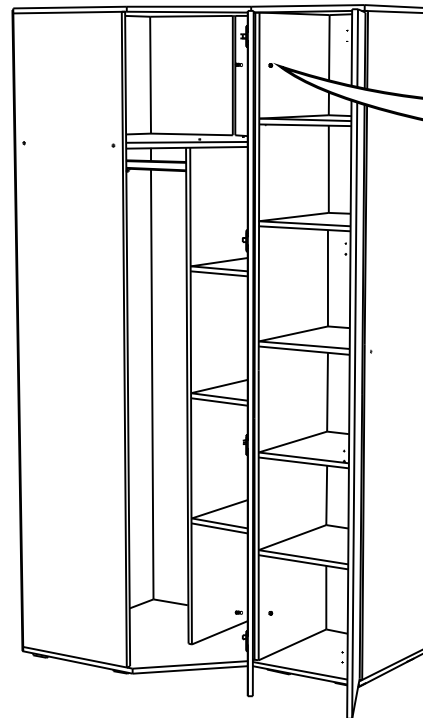
6x



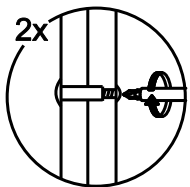
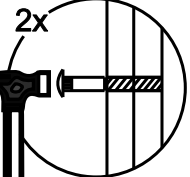
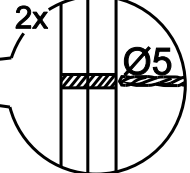
4x



2x



FMT 0028

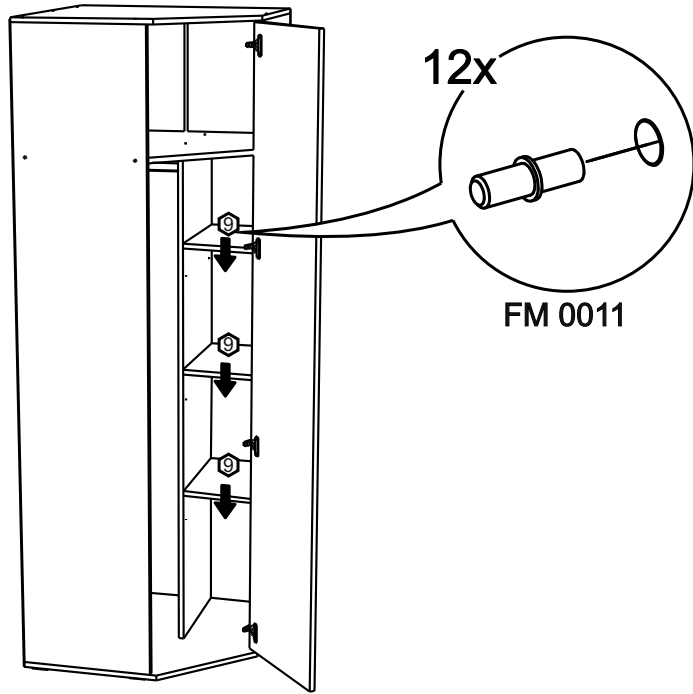
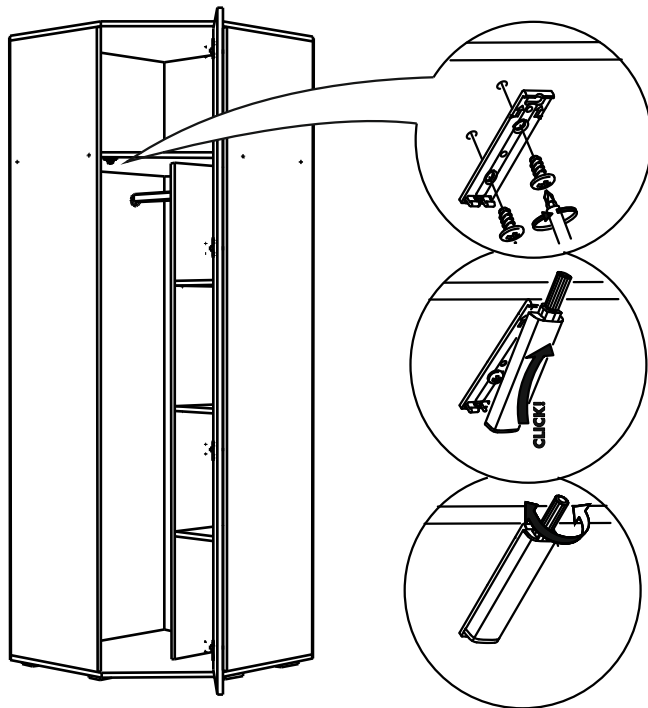


2x

2x

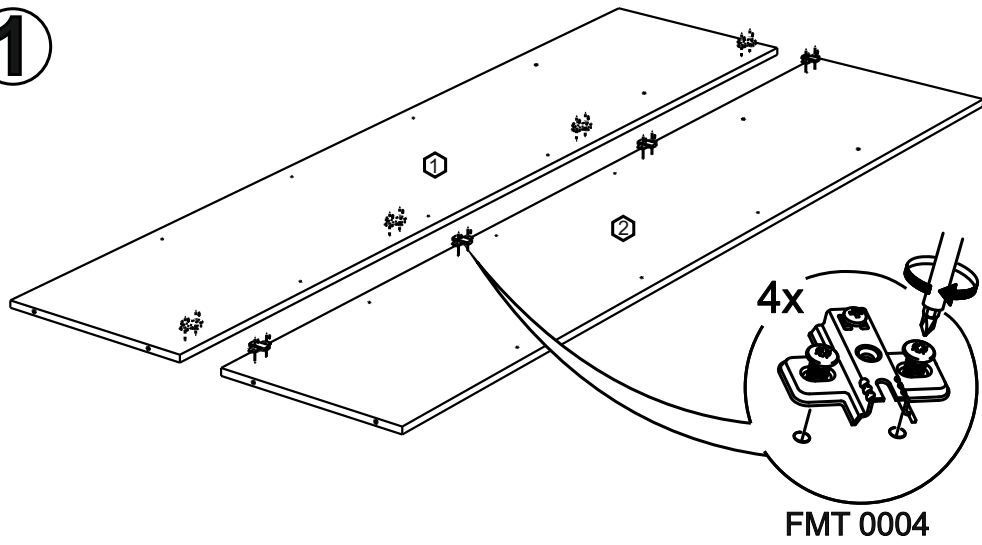
2x

Ø5

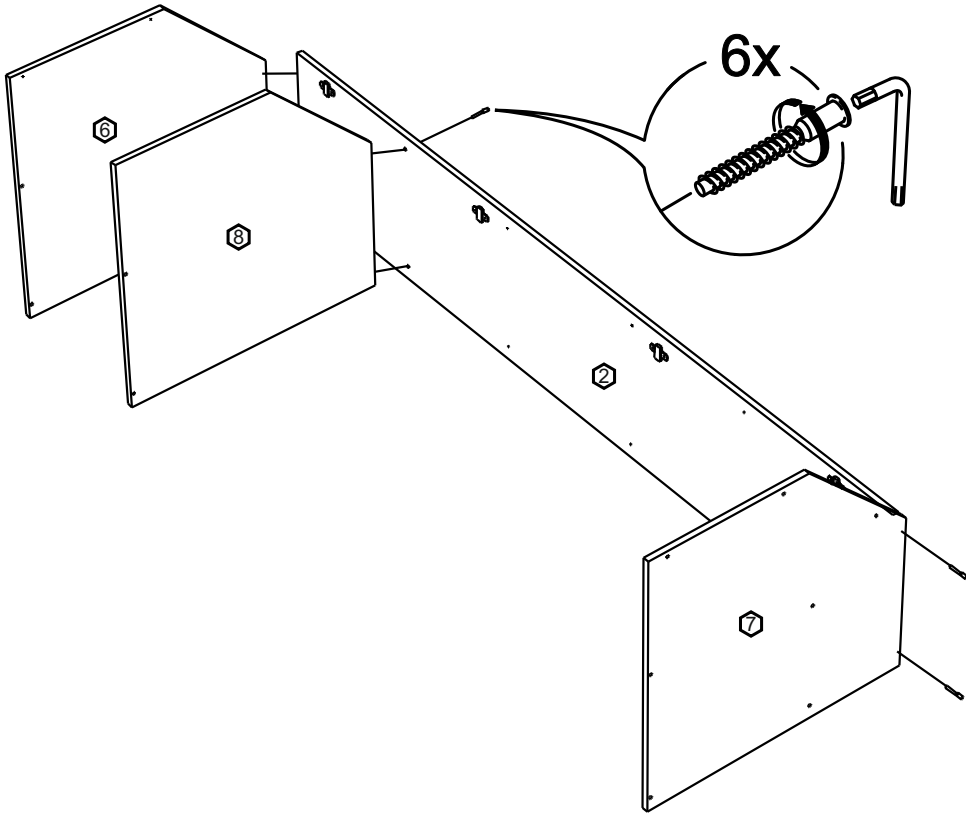
13**14**

No	code	a*b	x
1	SK804.01	2068*426	1
2	SK804.02	2068*426	1
3	SK804.03	1652*394	1
4	SK804.04	1652*394	1
5	SK804.05	400*394	1
6	SK804.06	720*720	1
7	SK804.07	720*720	1
8	SK804.08	704*704	1
9	SK804.09	420*250	3
10	SK821M.07	2060*395	1
11	SK804.10	422	1
12	SK802.13	2068	1
13	SK804.11	2095*355	3

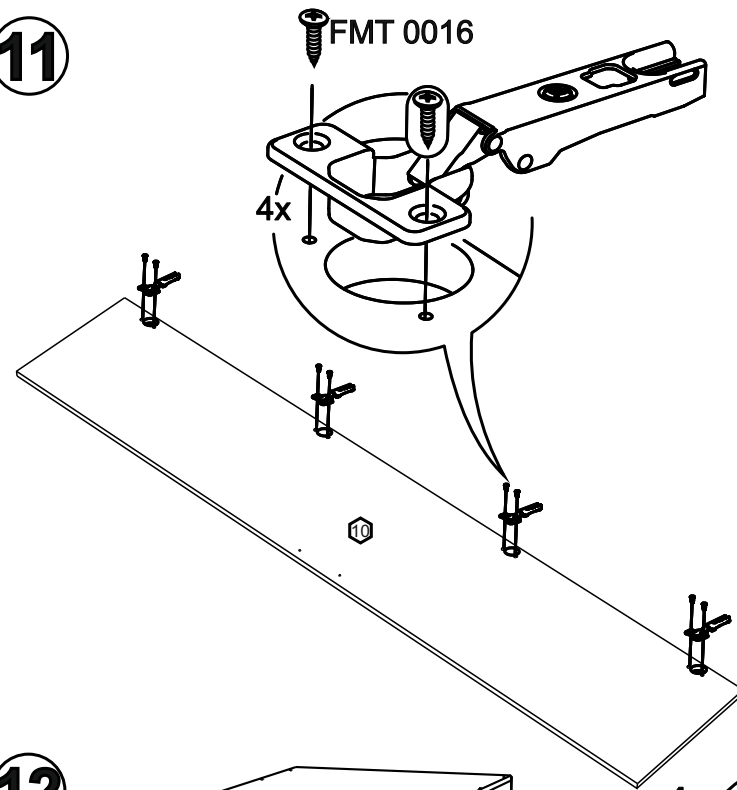
1



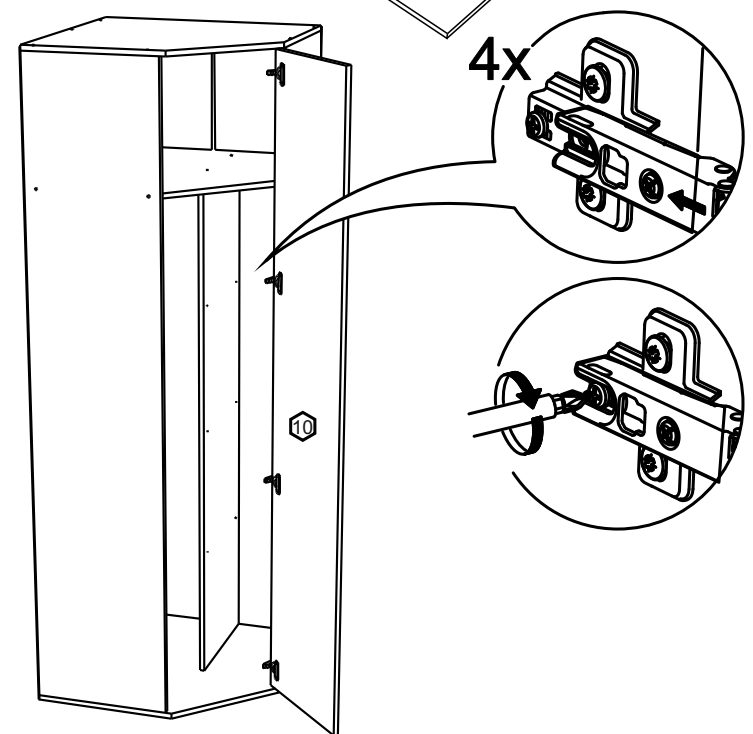
2

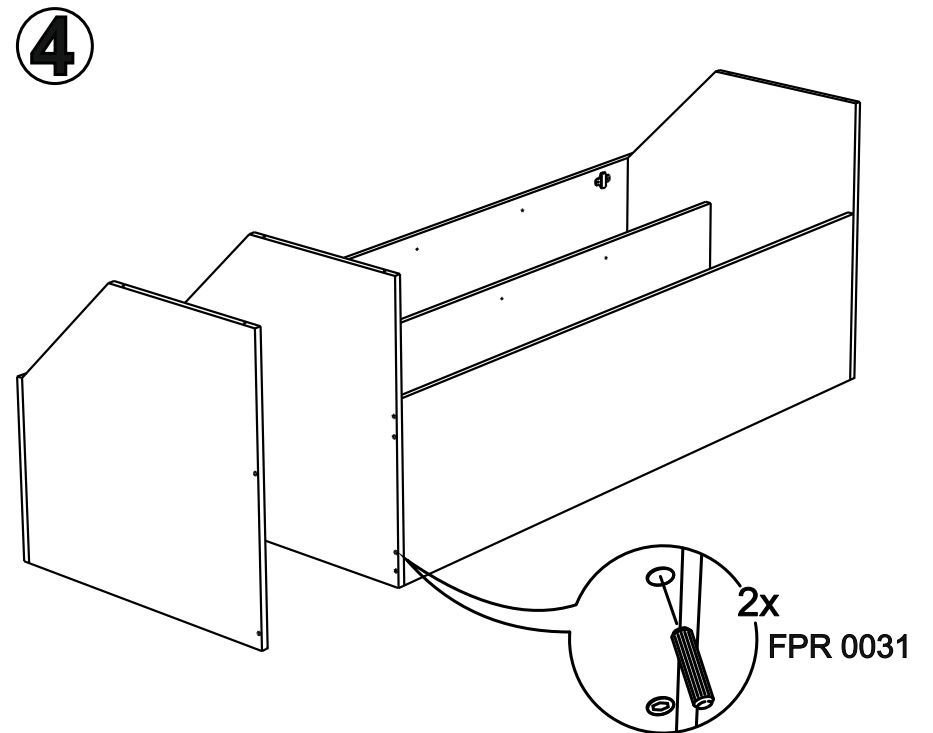
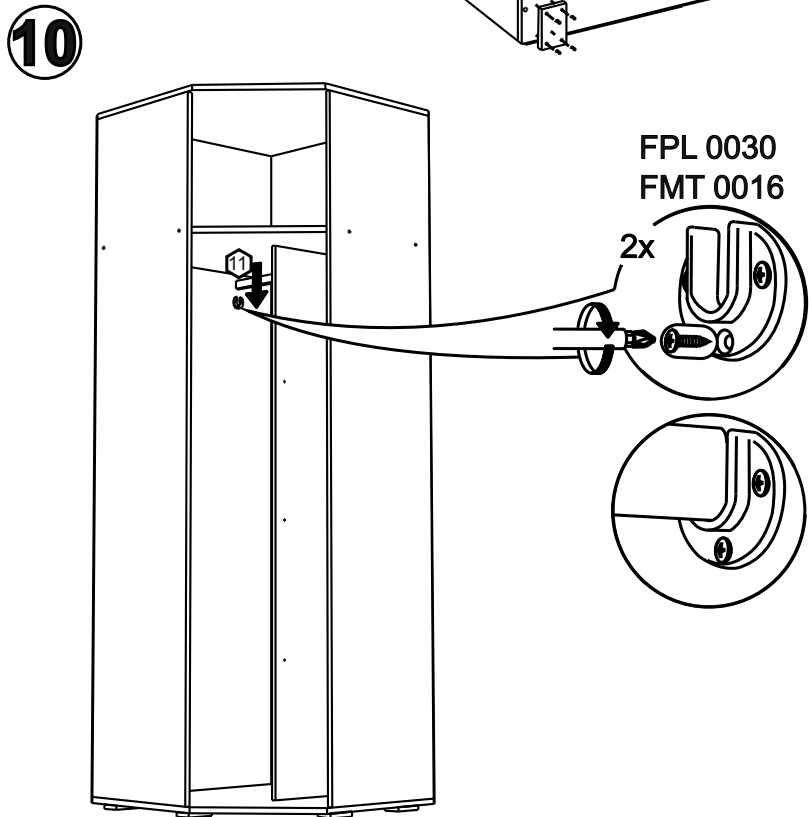
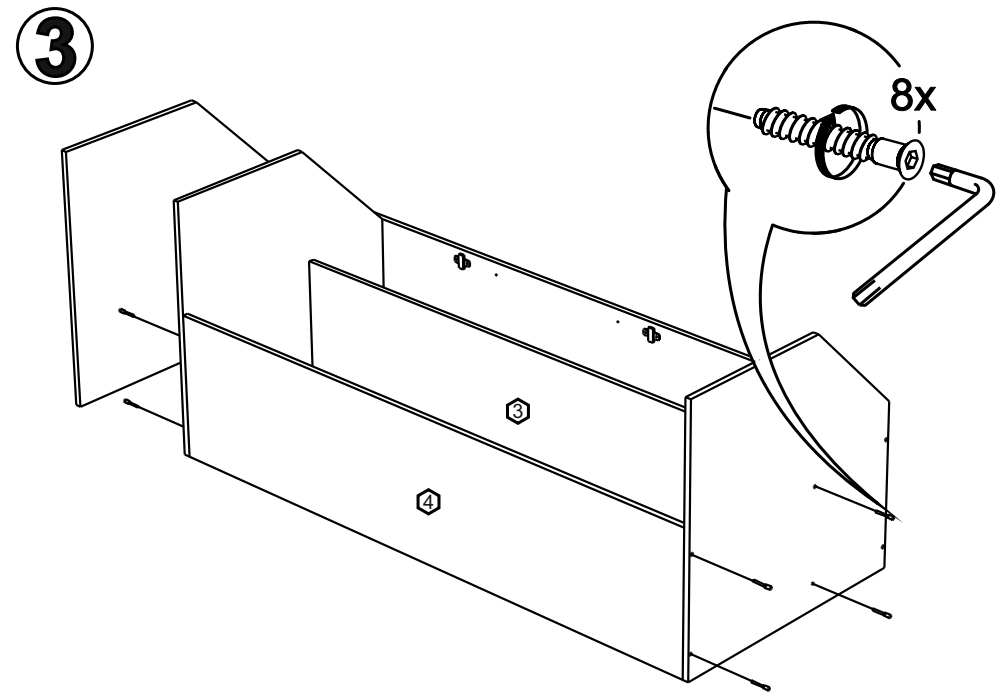
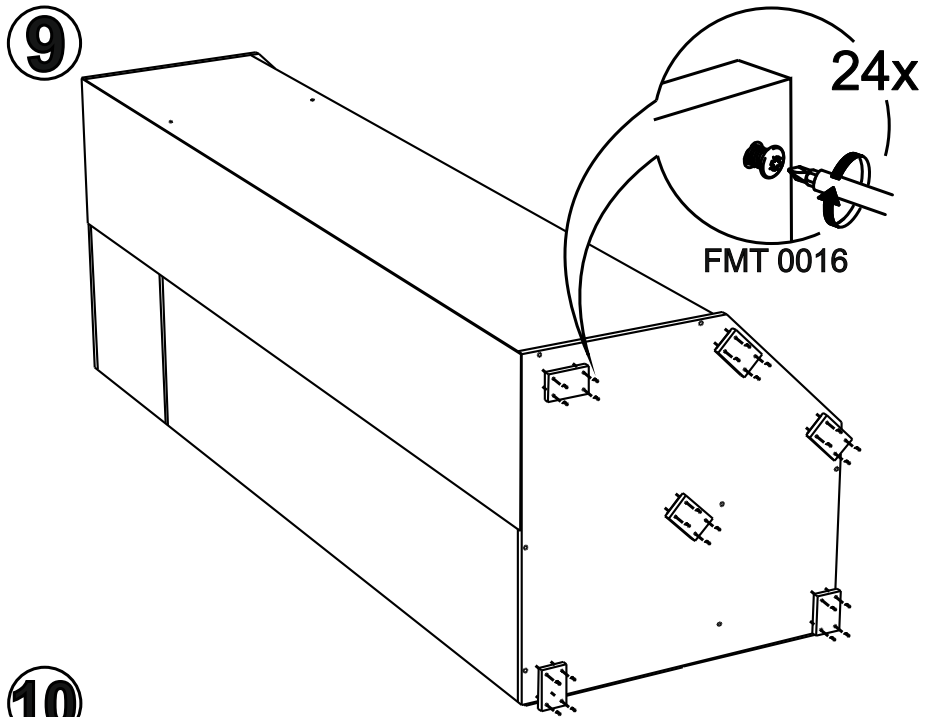


11

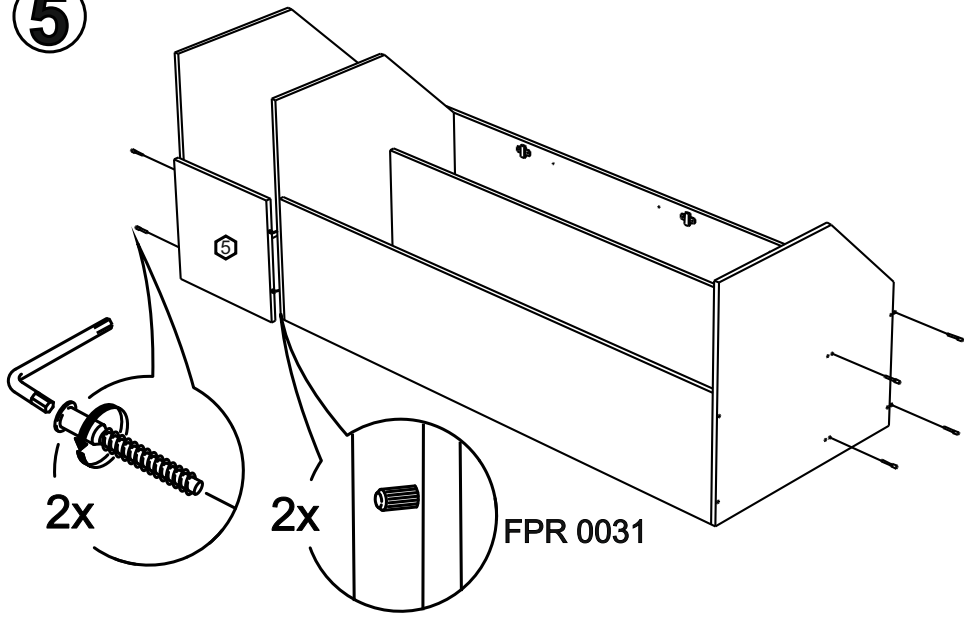


12

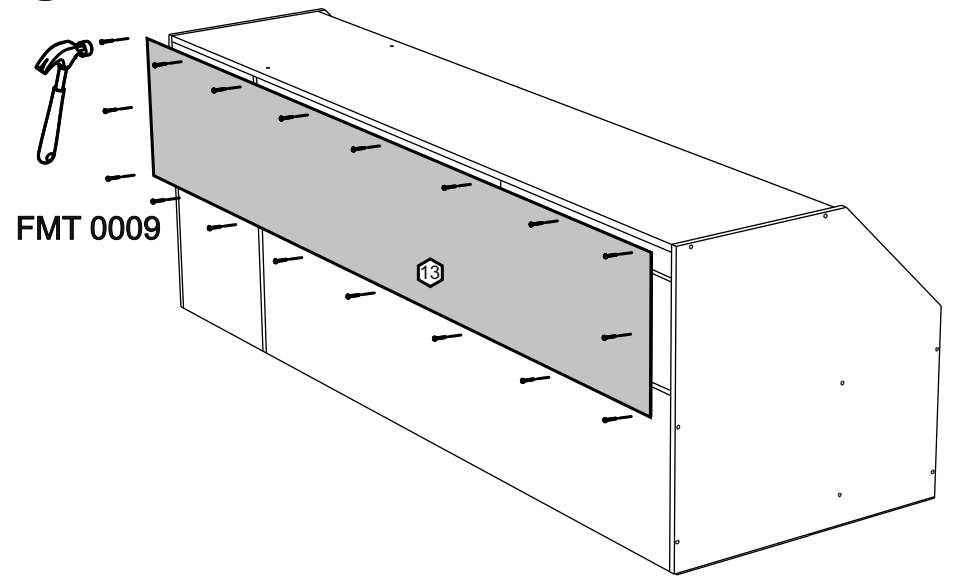




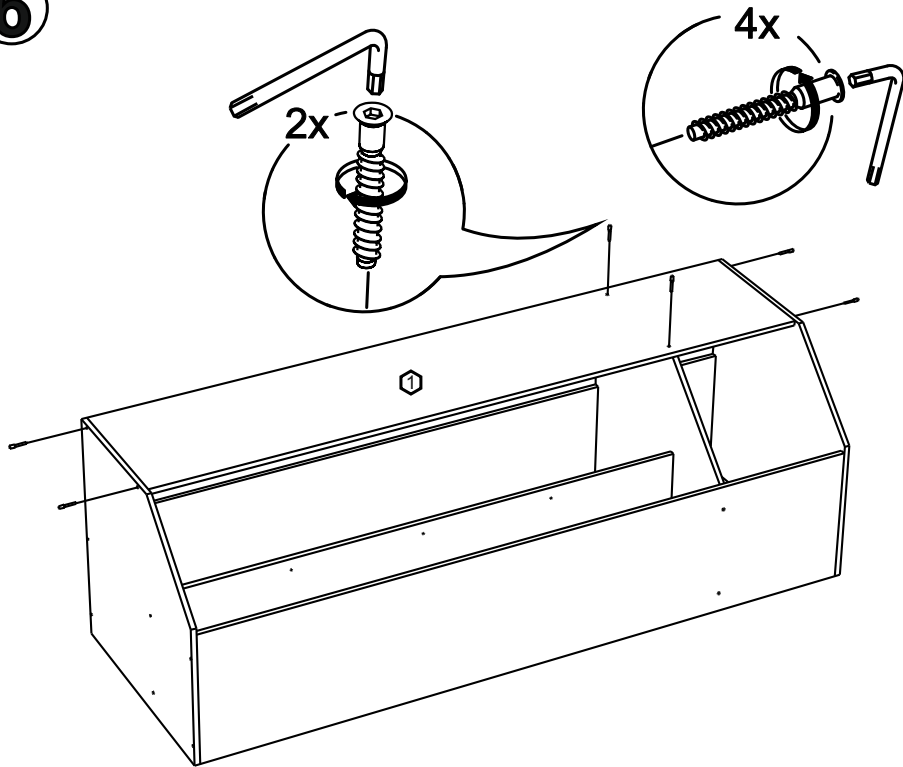
5



7



6



8

