

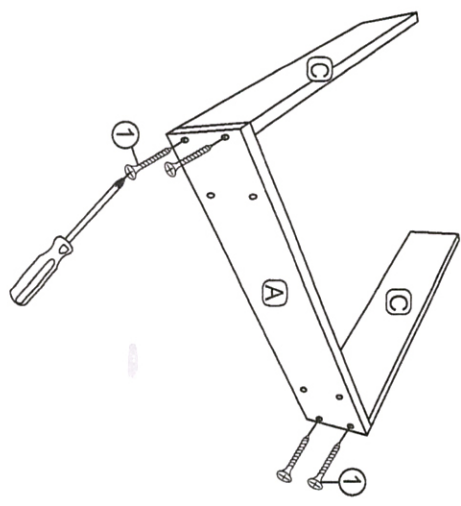
TRIGAV

MODEL: DRAWER

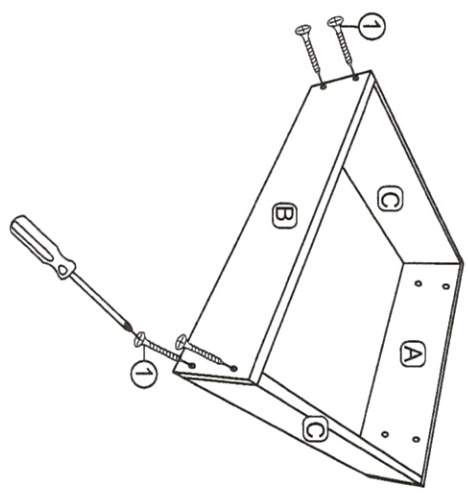
ASSEMBLY INSTRUCTIONS

3X

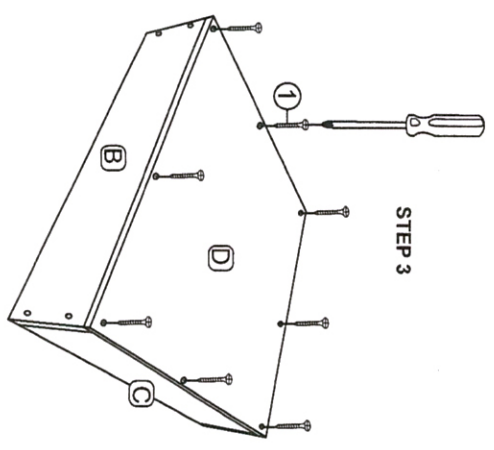
STEP 1



STEP 2



STEP 3



NO	PART LIST	QTY
A	Front panel	1 pc
B	Back Panel	1 pc
C	Side Panel	2 pcs
D	Bottom Panel	1 pc
E	Drawer Face	1 pc

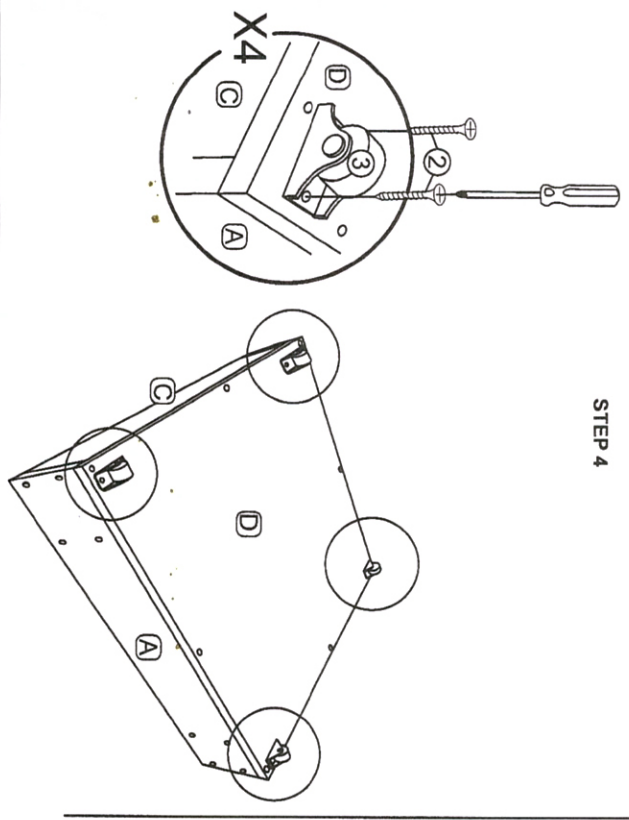
No	Hardware List	QTY
1	CSK M4 X 30mm	60 pcs
2	JCBC M6 x 16mm	24 pcs
3	Nylon Roller	12 pcs

Read this instruction carefully. Remove all wrapping material, staples and straps from the carton. See hardware and furniture part list for guidance. Be sure you have all wooden furniture parts on a clean and flat soft surface, such as a carpet or rug, to prevent from being scratched.

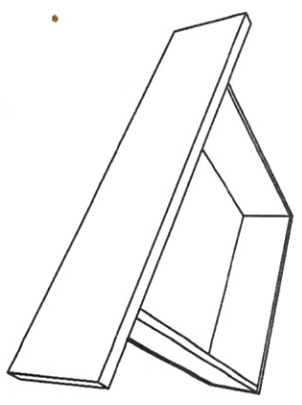
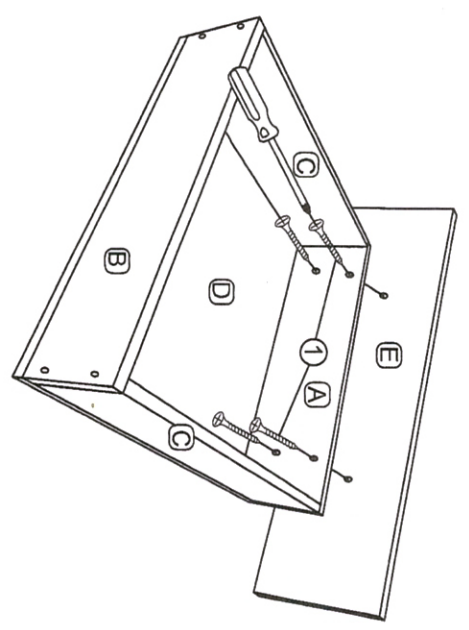
CAUTION :
 1. Do not FULLY - TIGHTEN the nut or screw until all is ready to assemble.
 2. Do not OVER - TIGHTEN the nut or screw to avoid causing damages to the thread.
 3. Keep all hardware part out reach of children.



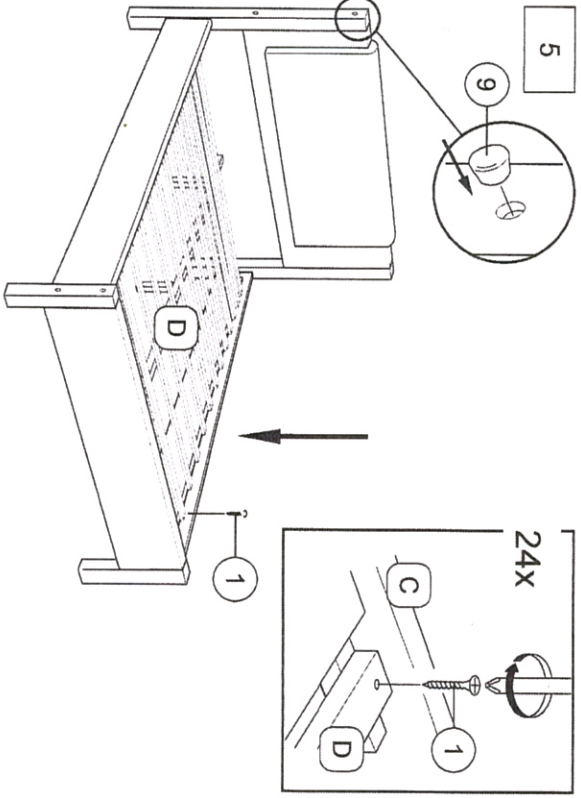
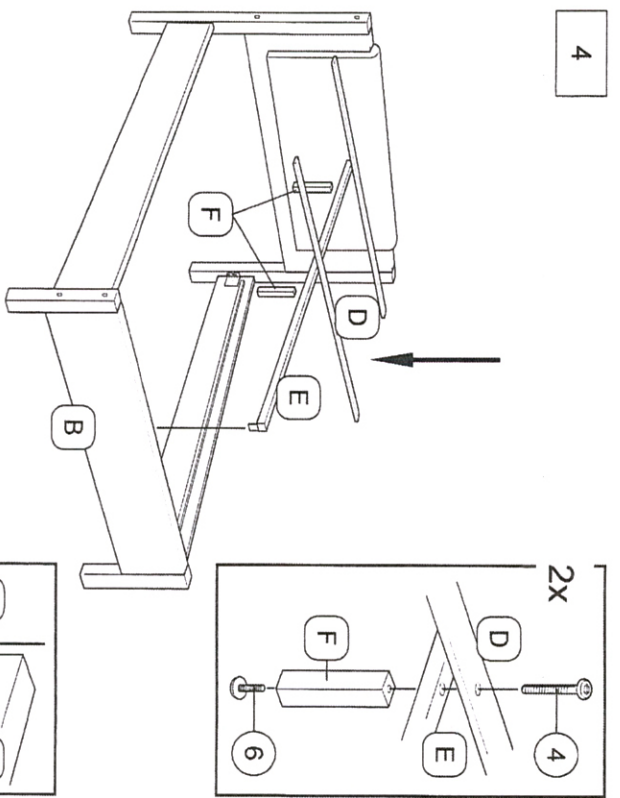
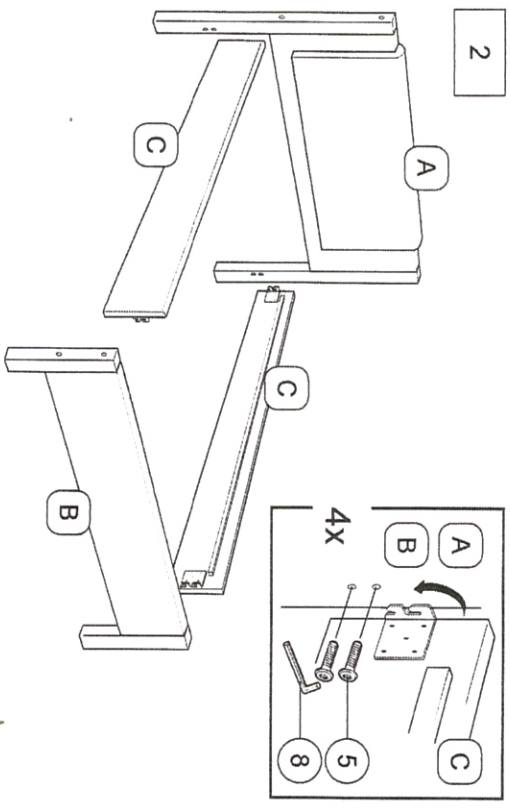
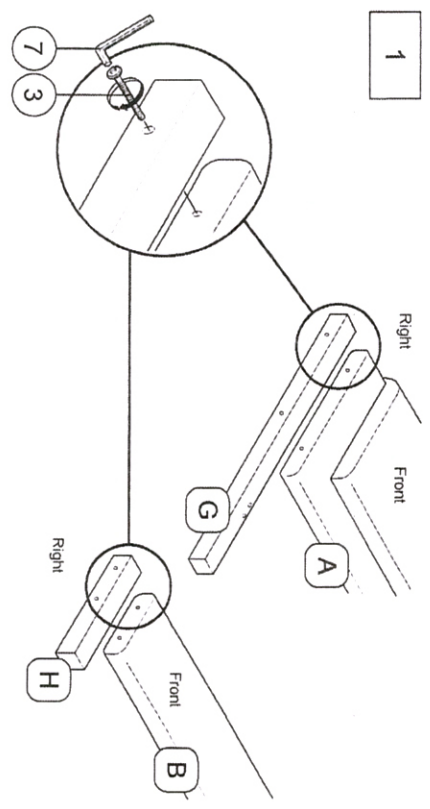
STEP 4



STEP 5



COMPLETED ASSEMBLY

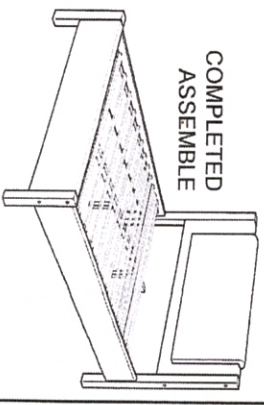


No	Part List	Qty
A	Headboard	1 pc
B	Footboard	1 pc
C	Side Panel	2 pcs
D	Bed Slat	12 pcs
E	Bed Center Rail	1 pc
F	Bed Center Rail Support	2 pcs
G	Headboard Leg (Left & Right)	2 pcs
H	Footboard Leg (Left & Right)	2 pcs

No	Hardware List	QTY
1	CSK M4 x 30mm	24 pcs
2	JCBC M6 x 50mm	2 pcs
3	JCBC M6 x 80mm	8 pcs
4	JCBC M6 x 60mm	2 pcs
5	JCBB M8 x 20mm	8 pcs
6	Adjuster M6 x 23mm	2 pcs
7	Allen Key M4	1 pc
8	Allen Key M5	1 pc
9	Wood Button 13.5	8 pcs

Read this instruction carefully. Remove all wrapping material, staples and straps from the carton. See hardware and furniture part list for guidance. Be sure you have all wooden furniture parts on a clean and flat soft surface, such as a carpet or rug, to prevent from being scratched.

CAUTION :
 1. Do not FULLY - TIGHTEN the nut or screw until all is ready to assemble.
 2. Do not OVER - TIGHTEN the nut or screw to avoid causing damages to the thread.
 3. Keep all hardware part out reach of children.



COMPLETED ASSEMBLE