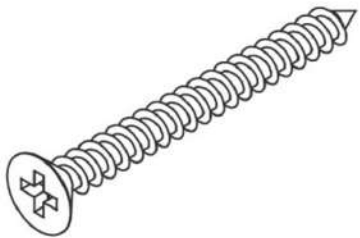

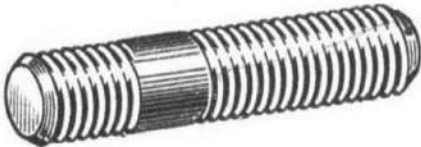
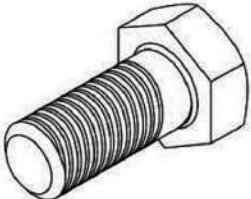
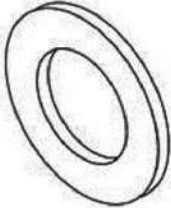
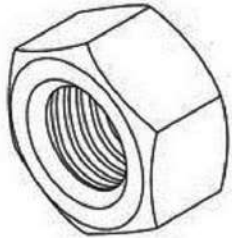
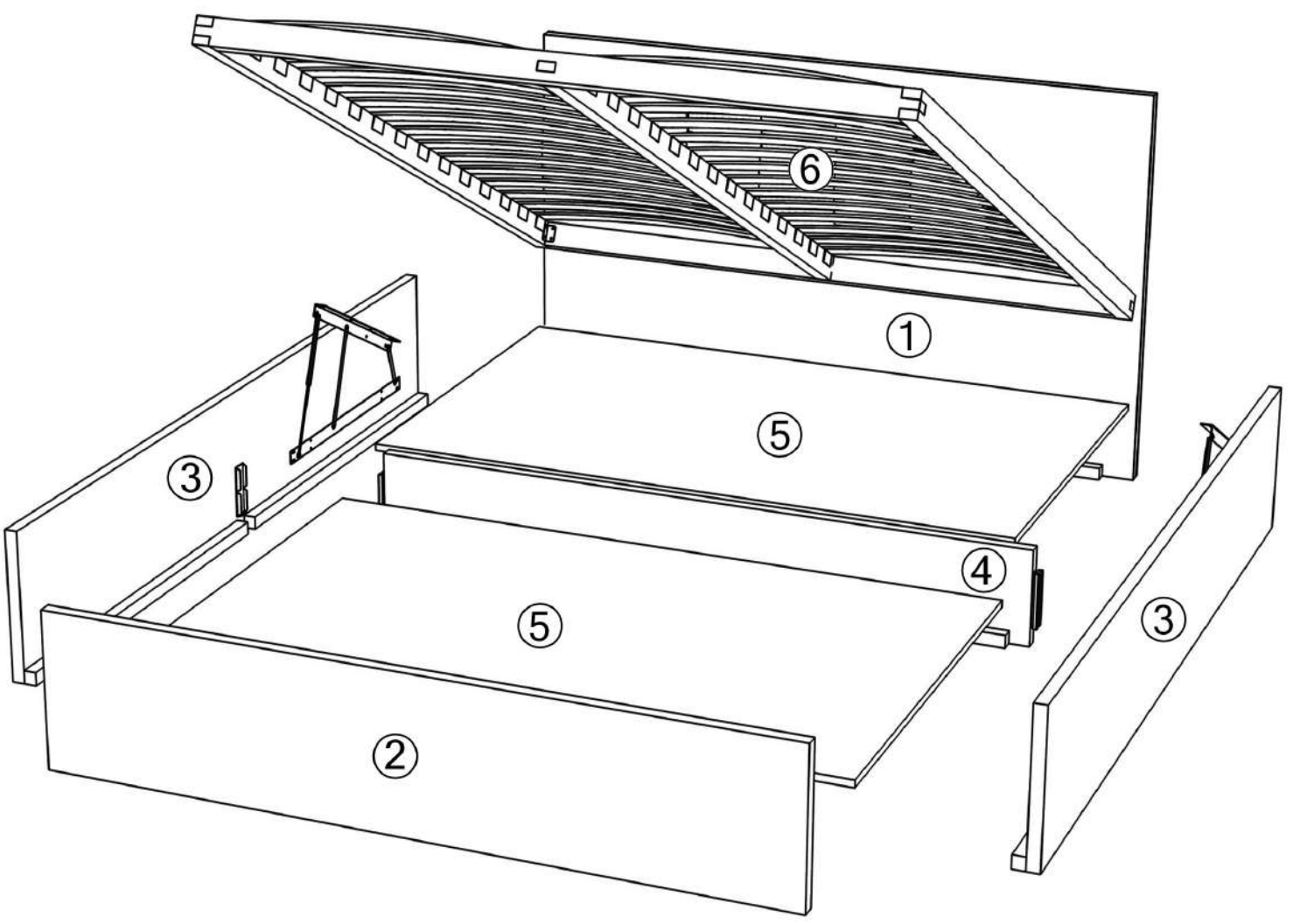




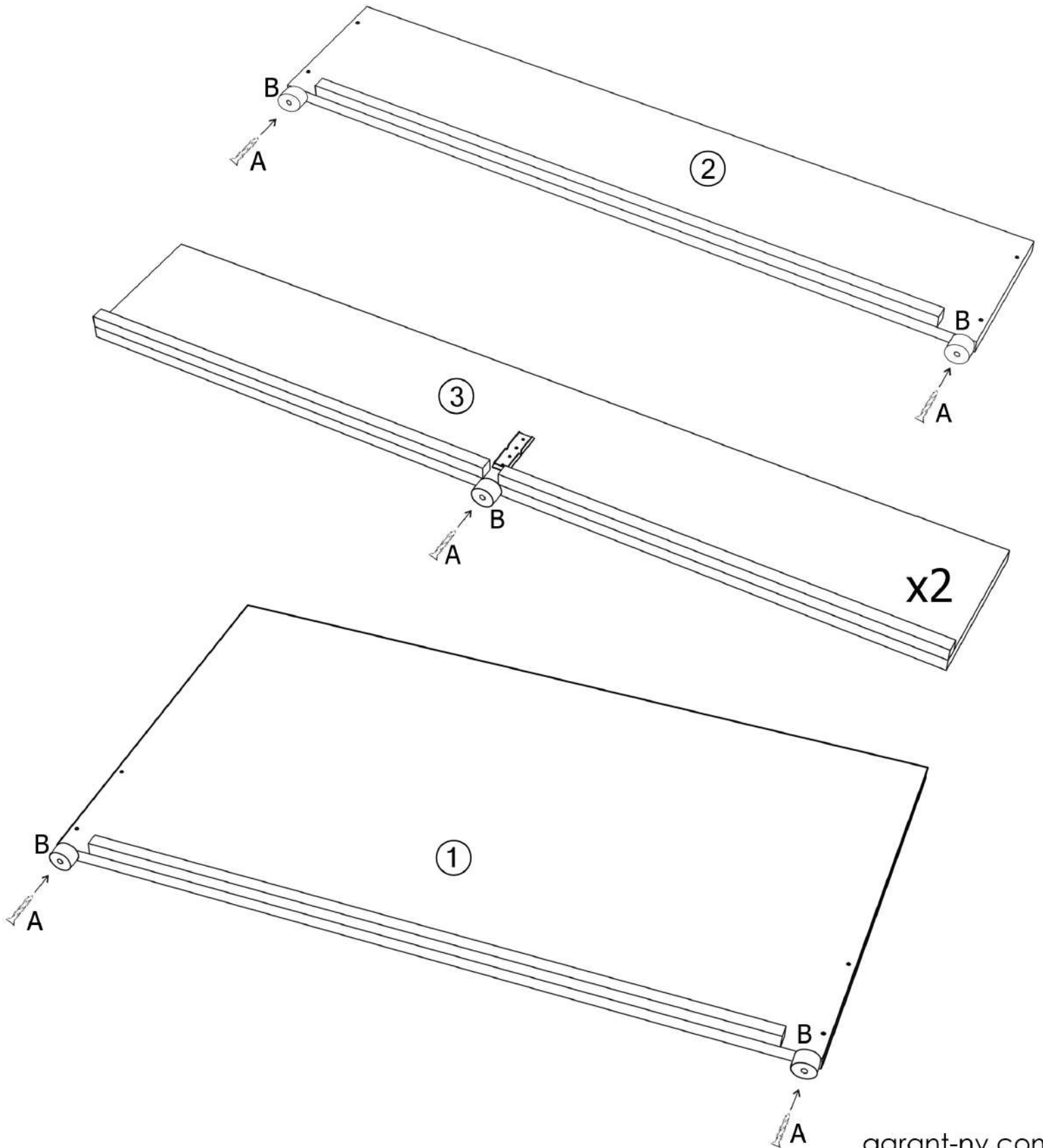
<p>Ax6</p>  <p>Ø3,5x32 mm</p>	<p>Bx6</p>  <p>Ø50x35 mm</p>	<p>Cx8</p>  <p>M8x45 mm</p>
<p>Ex4</p>  <p>M8</p>	<p>Fx8</p>  <p>Ø8,4xØ24x2mm</p>	<p>Gx8</p>  <p>M8xØ13xØ6,5mm</p>






1

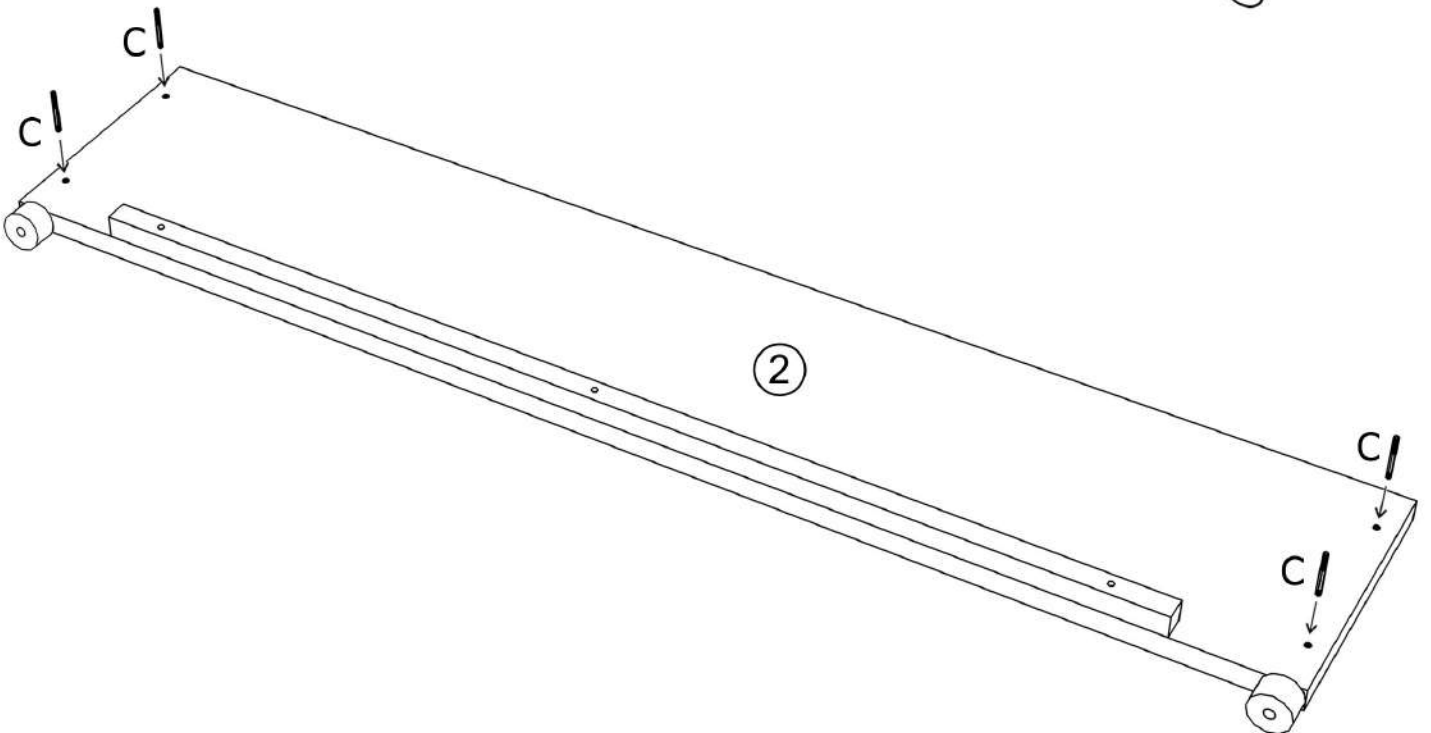
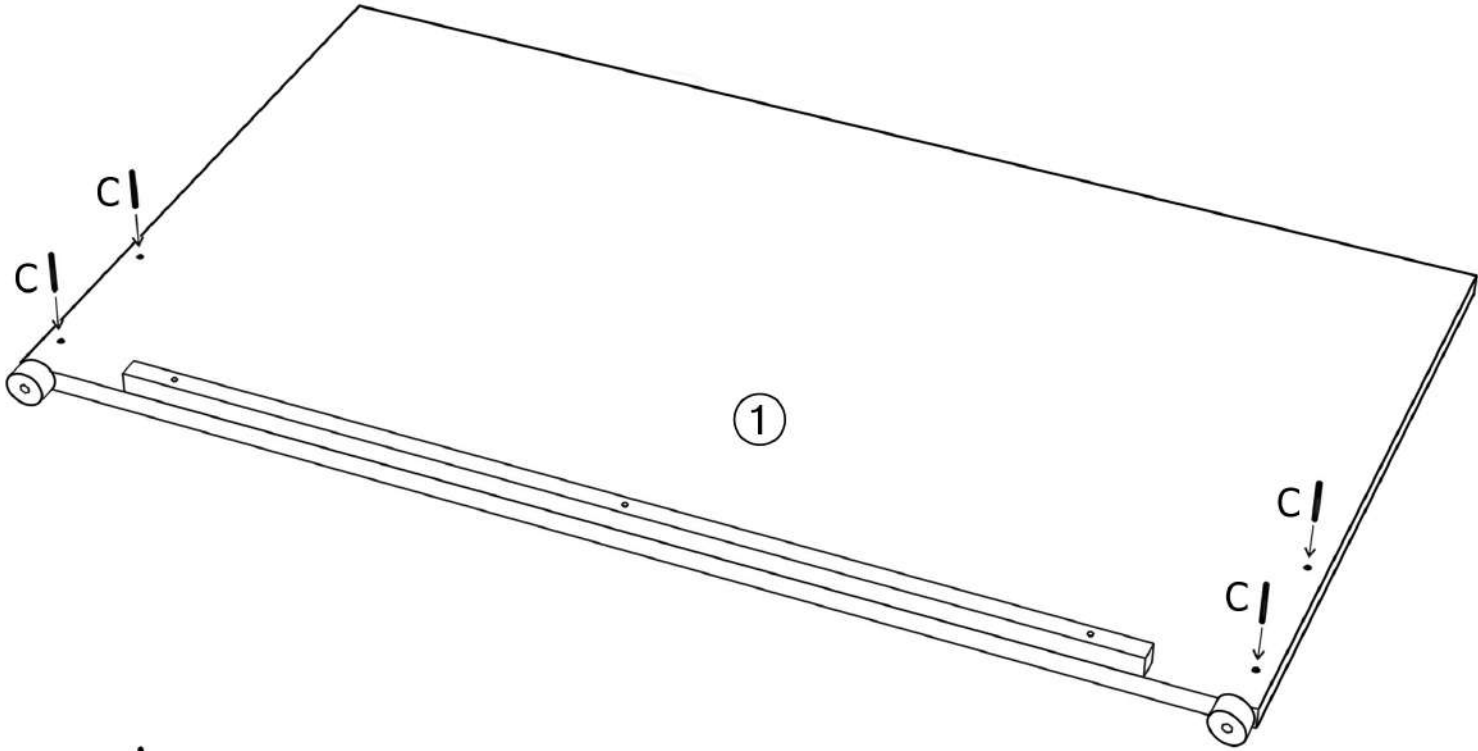
<p>Bx6</p>  <p>Ø50x35 mm</p>	<p>Ax6</p>  <p>Ø3,5x32 mm</p>	
---	--	---





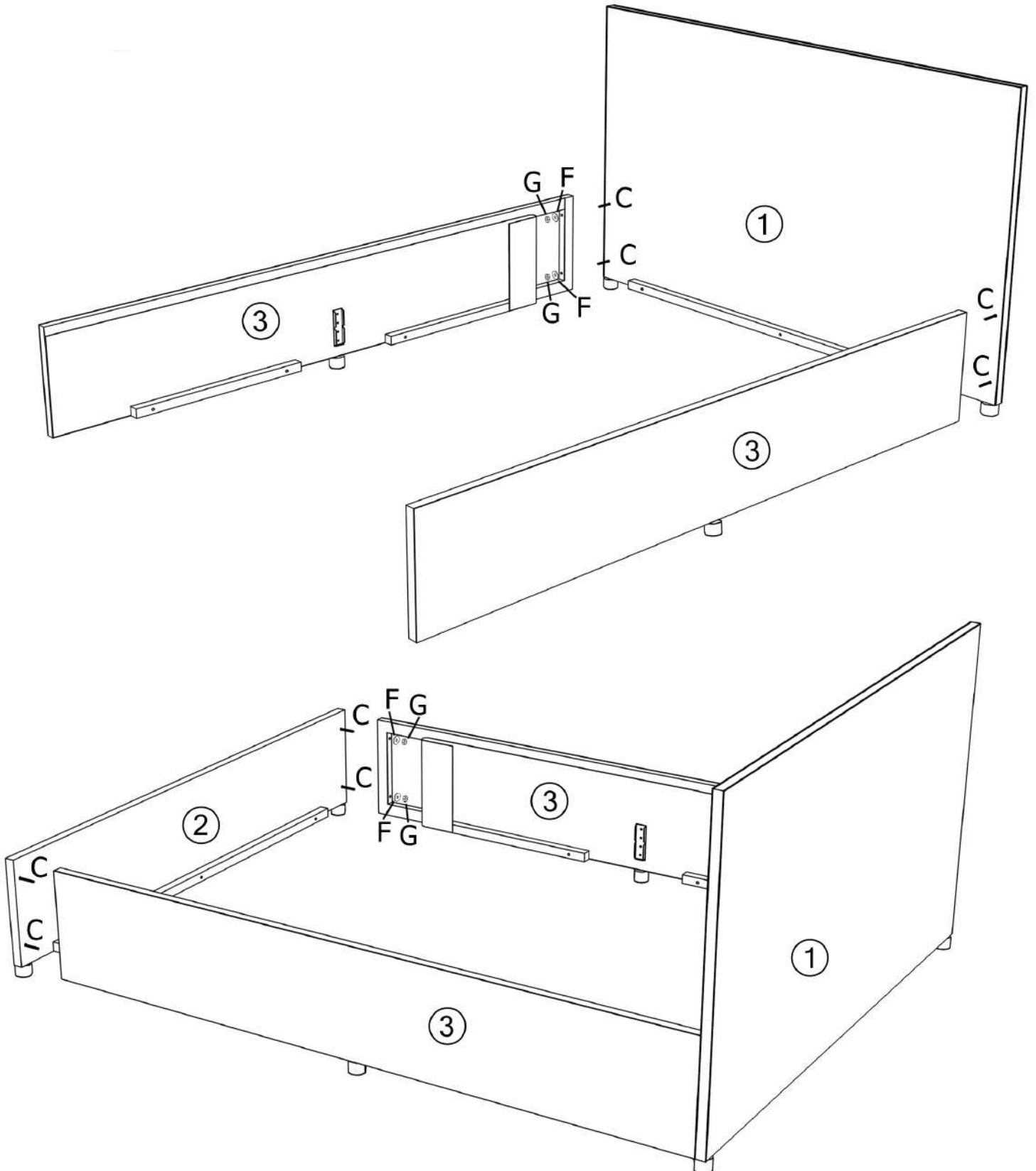
2

<p>Cx8</p>  <p>M8x45mm</p>	
---	---



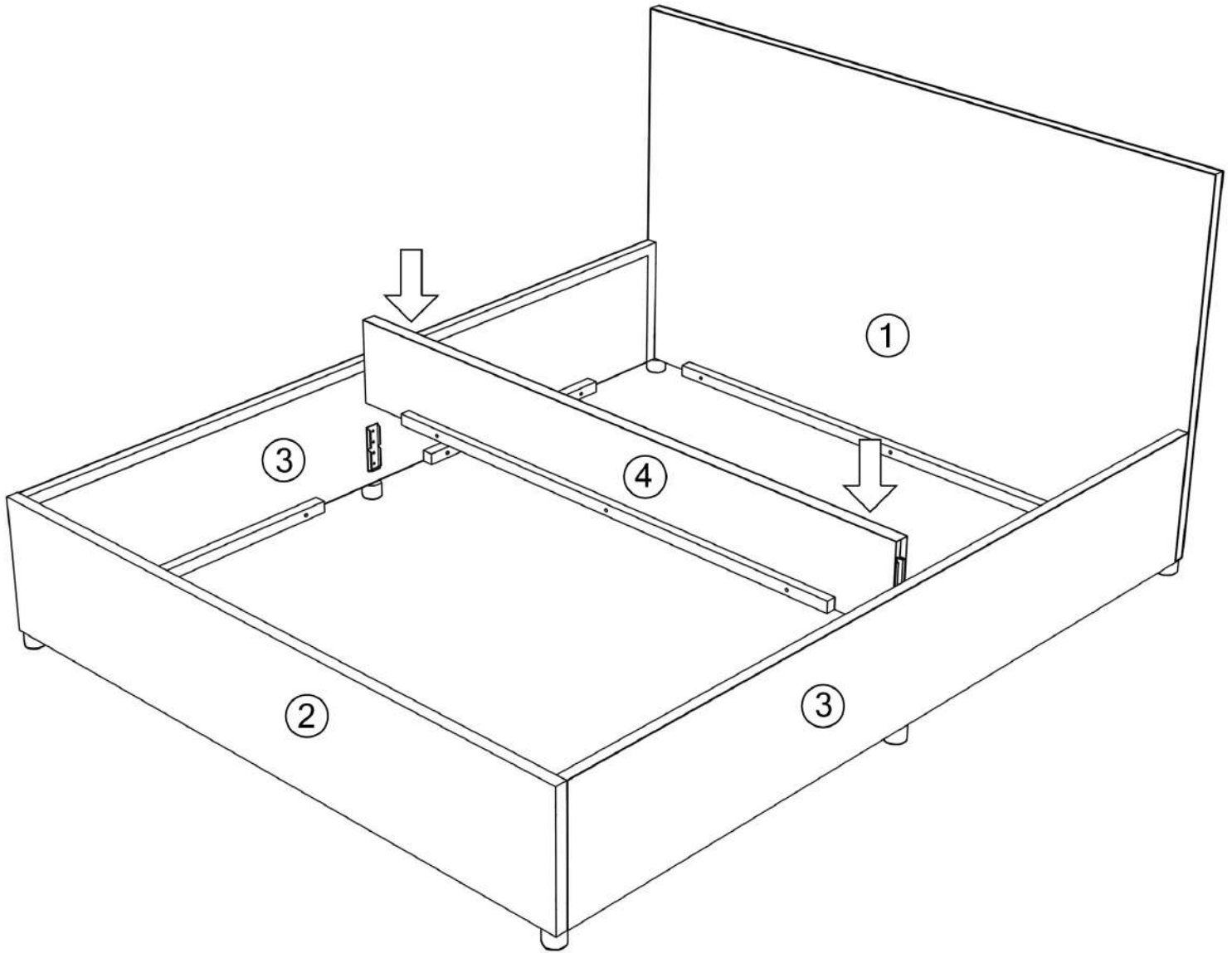


3



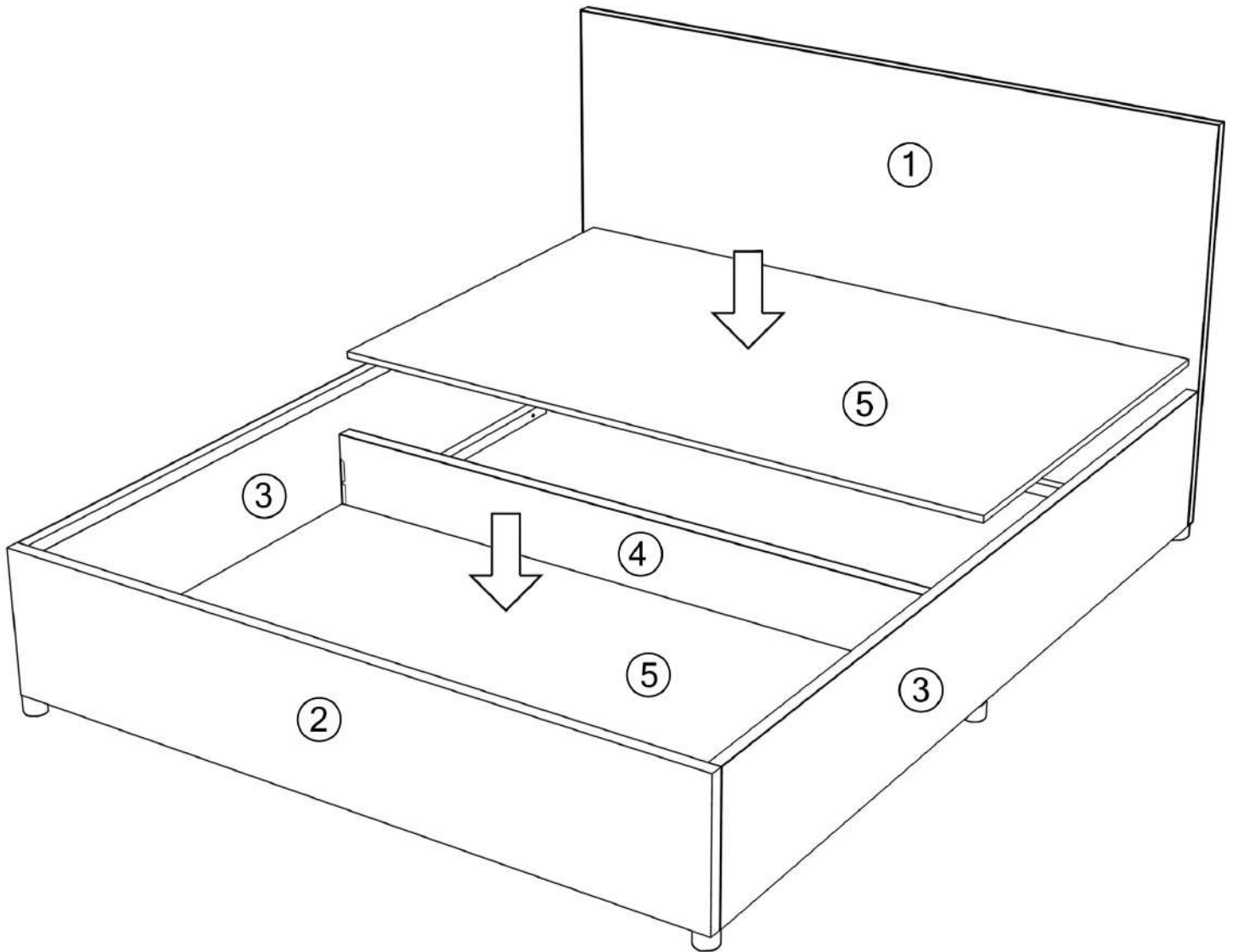


4





5







6



①

