

ASSEMBLY INSTRUCTIONS

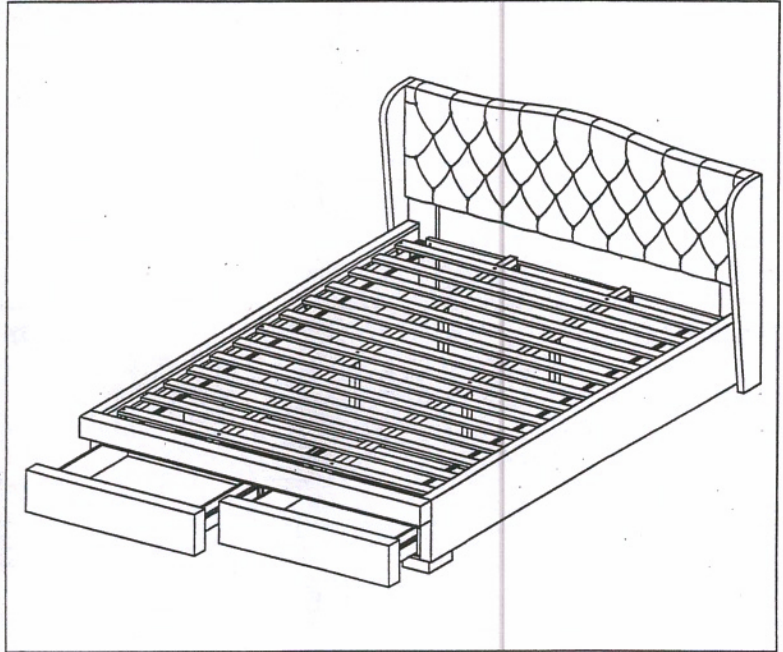
VELLUTI 180 KING BED

THANK YOU FOR PURCHASING THIS QUALITY PRODUCT. READ THIS INSTRUCTION CAREFULLY. SEE PART LIST AND HARDWARE LIST FOR GUIDANCE, BE SURE ALL PARTS ARE COMPLETE BEFORE YOU ASSEMBLE.

- CAUTIONS:**
1. DO NOT FULLY TIGHTEN THE BOLTS UNTIL ALL BOLTS IS READY ASSEMBLED.
 2. DO NOT OVER TIGHTEN THE BOLTS TO AVOID CAUSING DAMAGES TO THE THREAD.
 3. KEEP ALL PART AND HARDWARE OUT TO REACH BY CHILDREN.

TOOLS NEEDED : SCREWDRIVER (NOT PROVIDED)

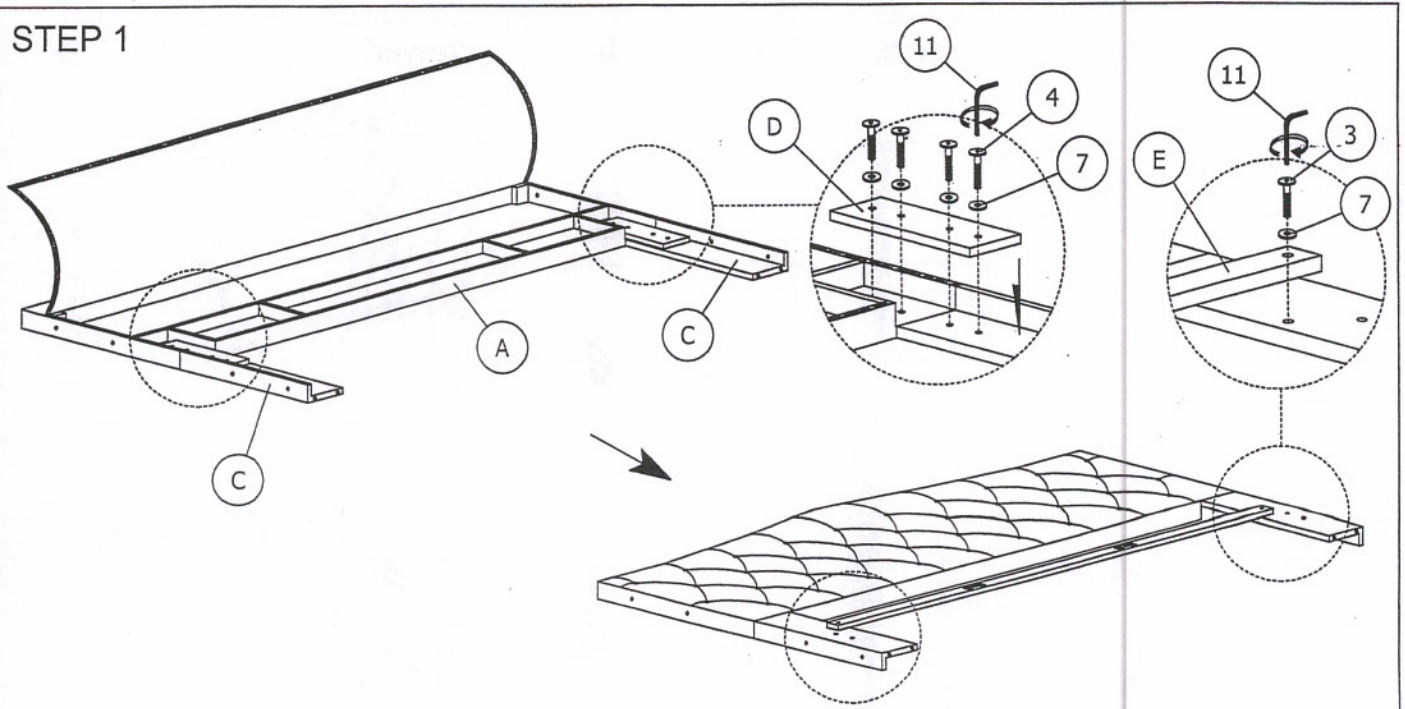
PART LIST		
ITEM	DESCRIPTION	QTY
A	HEADBOARD	1 PC
B	HEADBOARD WING (L & R)	2 PCS
C	HEADBOARD LEG (L & R)	2 PCS
D	HEADBOARD SUPPORT WOOD	2 PCS
E	HEADBOARD SUPPORT RAIL	1 PC
F	FOOTBOARD	1 PC
G	SIDERAIL	2 PCS
H	CENTER SUPPORT	2 PCS
I	CENTER SUPPORT LEG	6 PCS
J	SLATS	1 SET
K	BED LEG	2 PCS
L	DRAWER SUPPORT LEG	2 PCS
M	DRAWER	1 SET



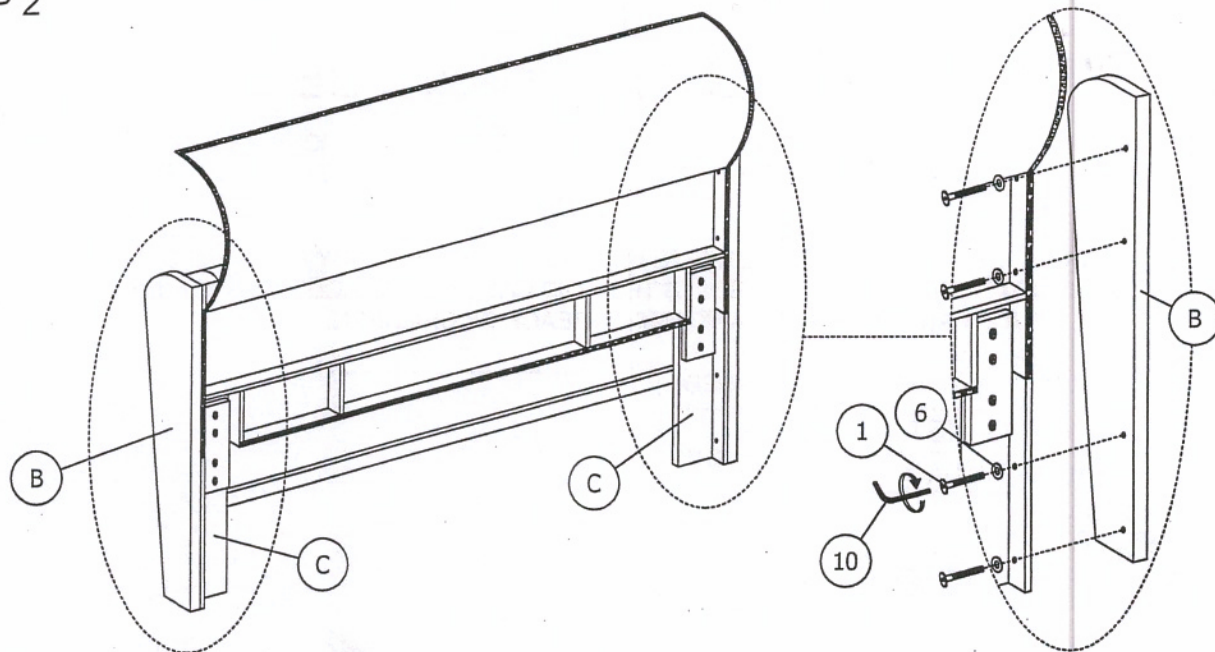
HARDWARE LIST		
ITEM	DESCRIPTION	QTY
1	JCBC BOLT M6 x 35mm	16 PCS
2	JCBB BOLT M8 x 16mm	4 PCS
3	JCBC BOLT M8 x 35mm	2 PCS
4	JCBB BOLT M8 x 45mm	8 PCS
5	M6 SPRING WASHER	8 PCS
6	M6 FLAT WASHER	16 PCS

HARDWARE LIST		
ITEM	DESCRIPTION	QTY
7	M8 FLAT WASHER	10 PCS
8	CSK SCREW M4 x 38mm	12 PCS
9	CSK SCREW M4 x 45mm	4 PCS
10	ALLEN KEY M4	1 PC
11	ALLEN KEY M5	1 PC

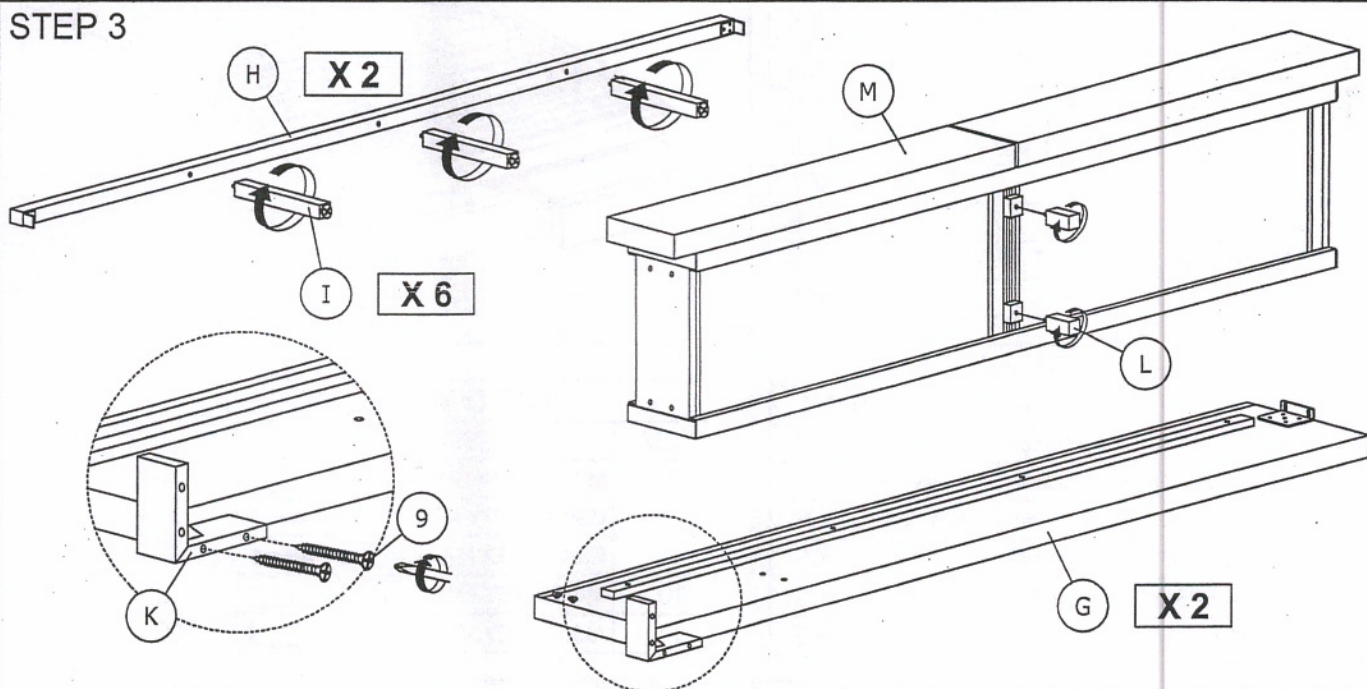
STEP 1



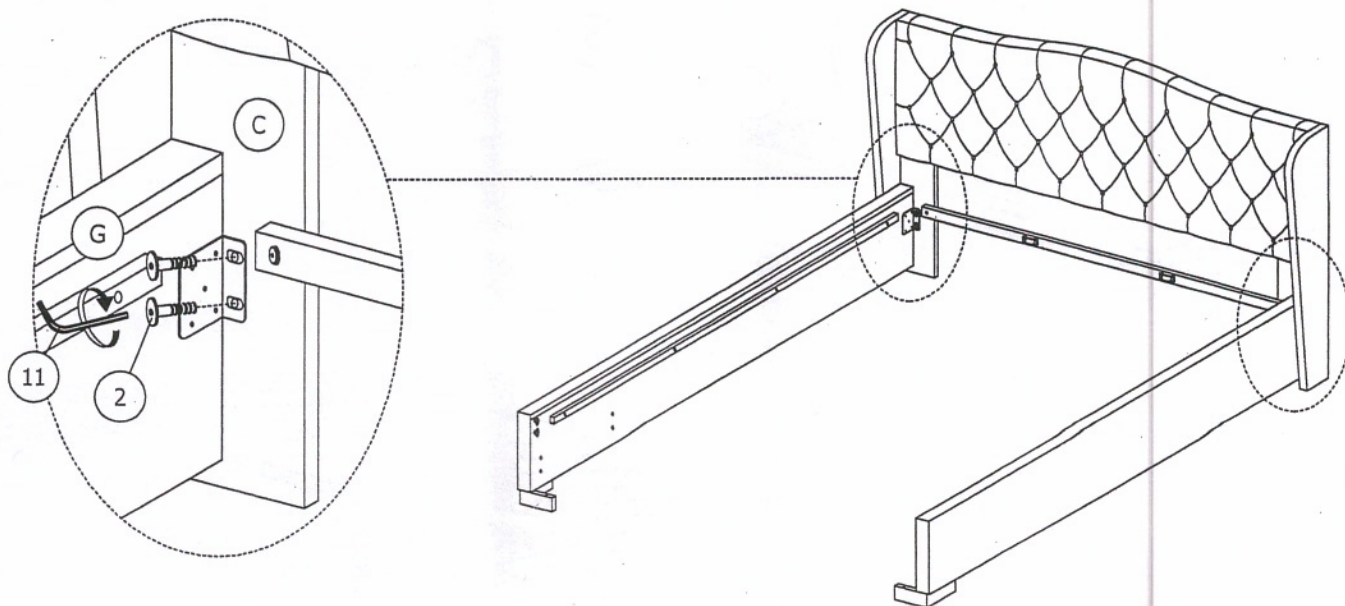
STEP 2



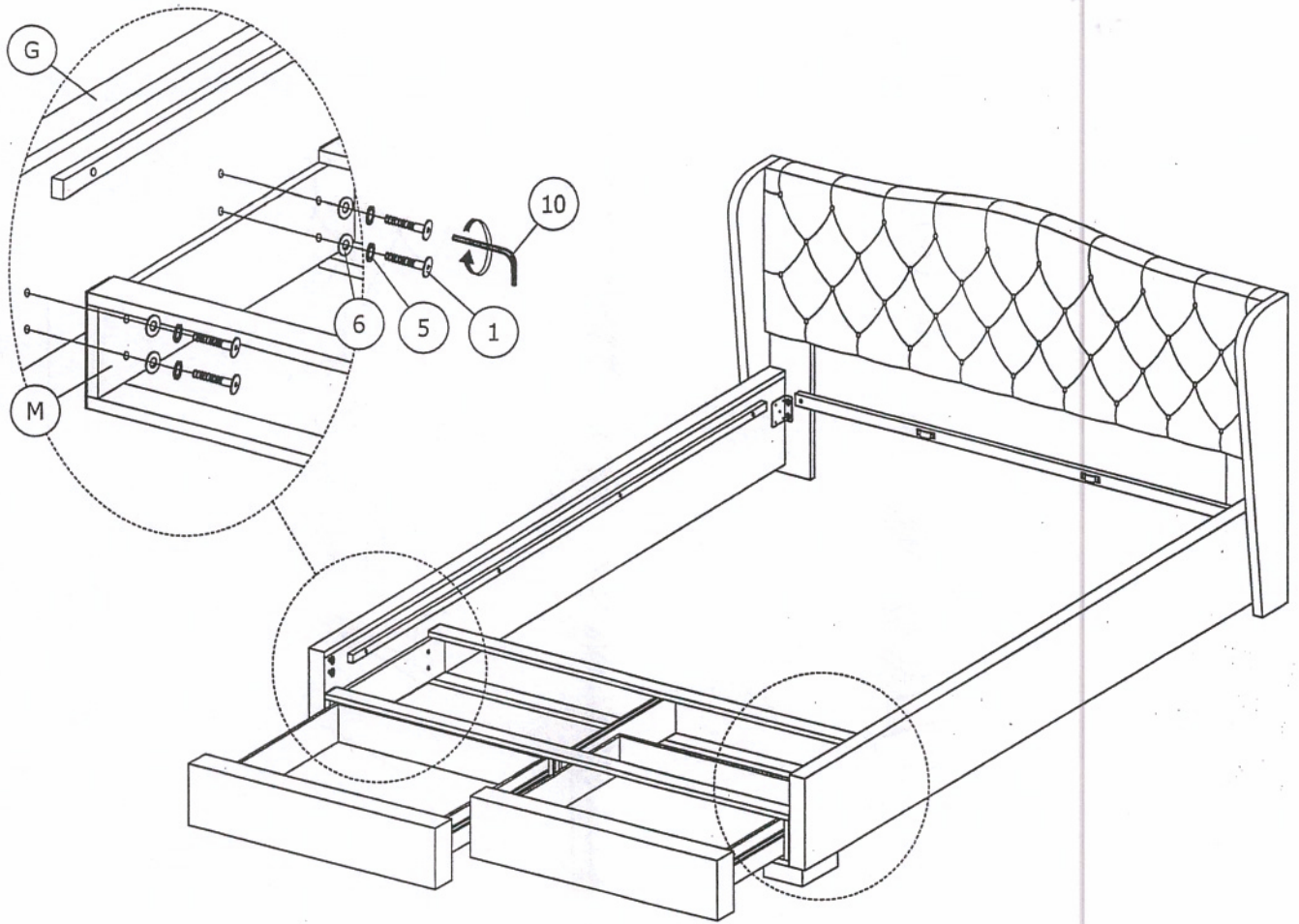
STEP 3



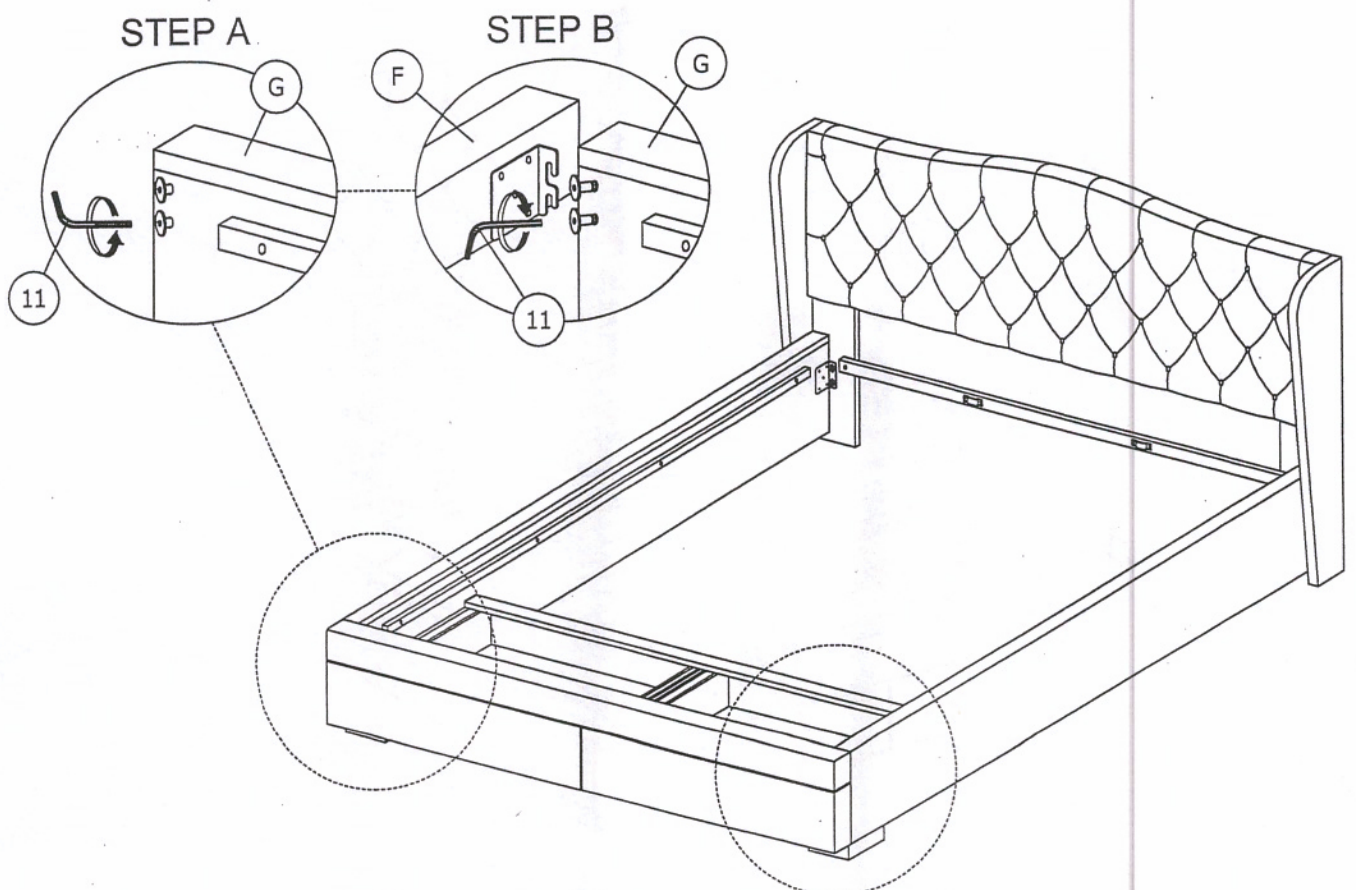
STEP 4 Do not tighten the bolt (2). Until step 6 is done screwed.



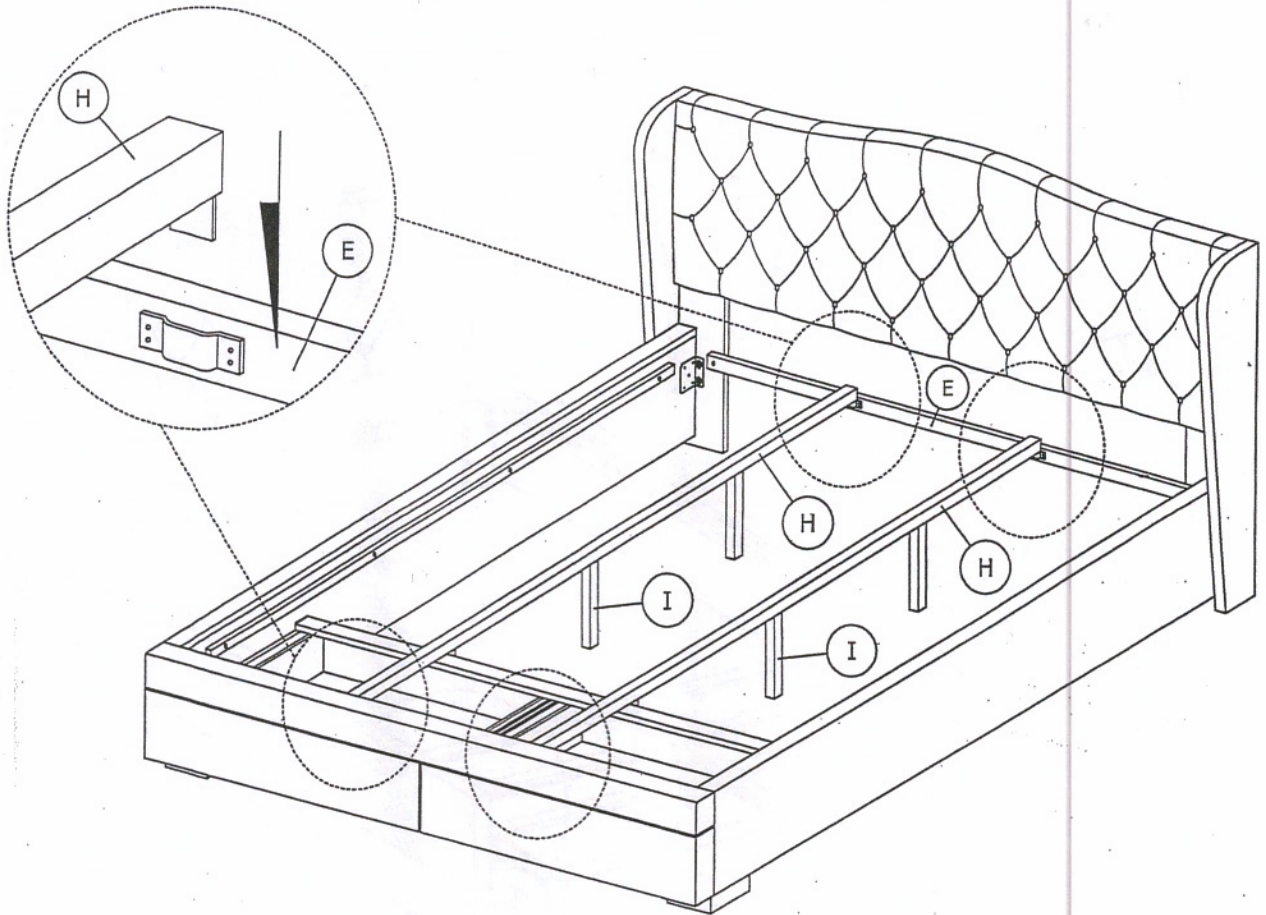
STEP 5 Do not tighten the bolt (1). Until step 6 is done screwed.



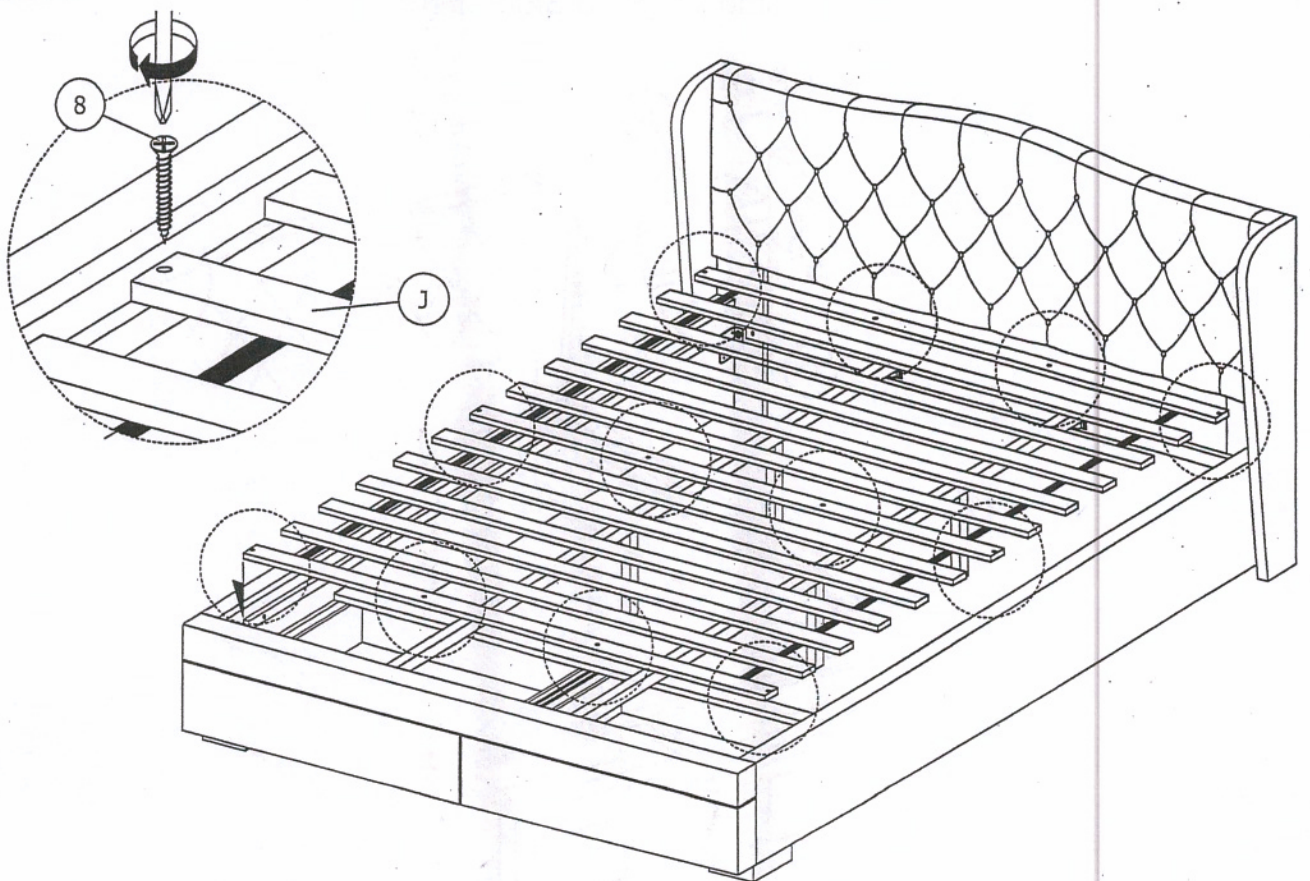
STEP 6 Use the Allen Key M5 (11) to turn loose all the JCBB Bolt prefix at Footboard (F), do not pull out. Hang the Footboard (F) to Siderail (G) then tighten it.



STEP 7



STEP 8



Assembled completed

* When moving bed position, the center support leg levelers must be adjust up right to avoid breakage of the leg and center support.