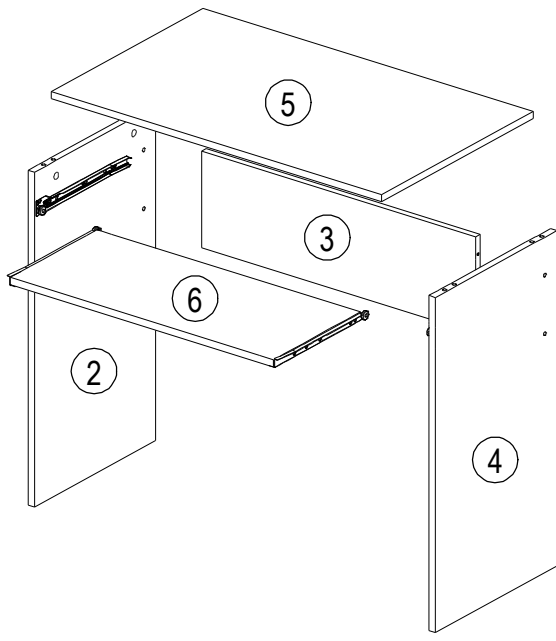
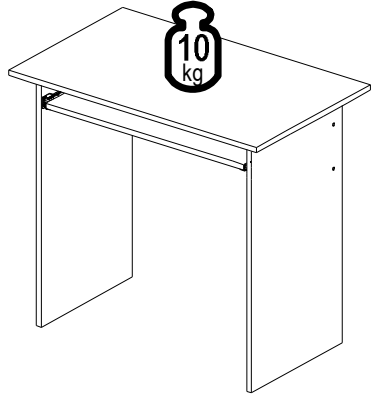


SK NÁVOD NA MONTÁŽ
 CZ MONTÁŽNÍ NÁVOD
 HU SZERELÉSI UTASÍTÁS
 DE MONTAGEANLEITUNG

VERNER NEW

	820	mm
	746	
	500	

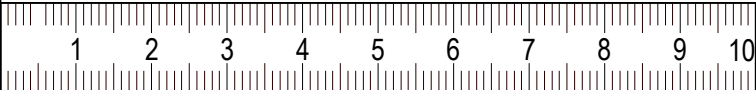
12289	②	730*400*16	1x	1/1
12290	③	210*680*16	1x	1/1
12291	④	730*400*16	1x	1/1
12292	⑤	820*500*16	1x	1/1
12293	⑥	654*286*16	1x	1/1



45 min

PZ 2

④



27000,00 Ø8x30	30090,00 	70013,01 	70021,01 			22243,00 Ø3,5x15	22300,00 Ø7x50	22705,00 Ø6,3x8	33003,04 L=300mm
A 4x	B 4x	C 4x	D 4x	E 4x	F 4x	G 6x	H 4x	J 4x	Ka 1x

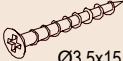

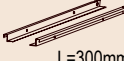
									33003,04 L=300mm
									Kb 1x

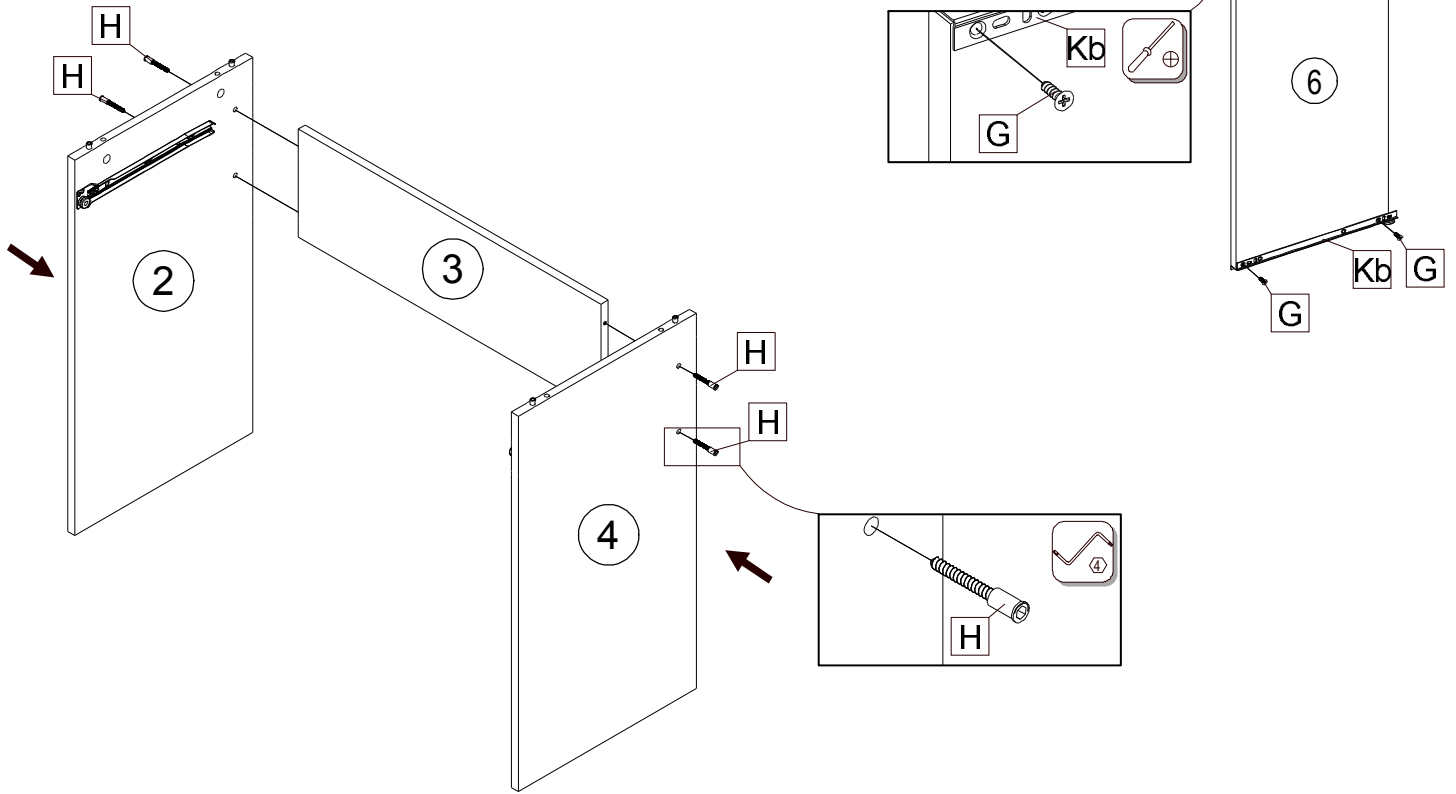
 Ø8x30				 Ø3,5x15	 Ø6,3x8	 L=300mm
A 4x	B 4x	C 4x	D 4x	G 4x	J 4x	Ka 1x



Diagram 1: Assembly of panel 2. Shows the attachment of brackets A and B to the bottom edge, and the installation of screws G and J into the top edge. A 10mm gap is indicated.

Diagram 2: Assembly of panel 4. Shows the attachment of brackets A and C to the top edge, and the installation of screws G and J into the top edge. A warning icon is present.

Diagram 3: Assembly of panel 5. Shows the attachment of brackets D to the top and bottom edges.

	Ø3,5x15		Ø7x50		L=300mm
G	4x	H	4x	Kb	1x



			
E	4x	F	4x

