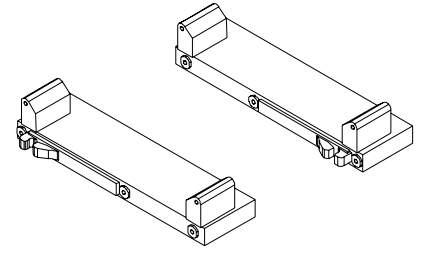




VVS
VVS-006-00

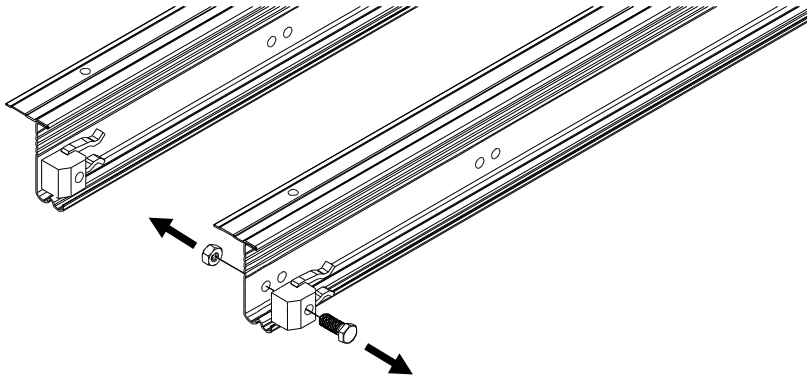
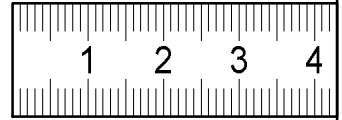


| | | | |
|--|-------|--|------|
| | | | |
| | 30min | | PZ 2 |

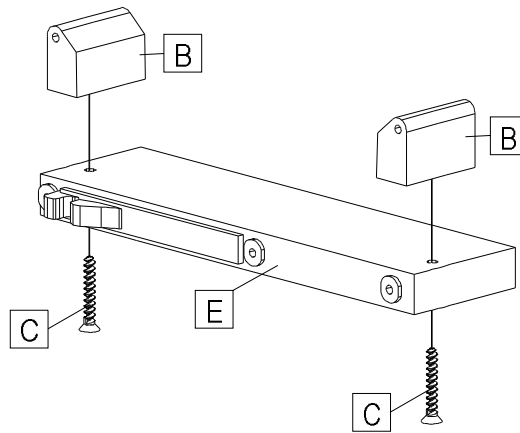


V PRÍPADE REKLAMÁCIE JE POTREBNÉ
 NAHLÁSIŤ VÝROBNÉ ČÍSLO VIDITEĽNÉ
 NA ETIKETE

| | | | | | |
|---|----|---------|---------|----|----|
| | | | | | |
| A | 2x | Ø3,5x25 | Ø3,5x15 | E | F |
| | | 4x | 4x | 2x | 1x |



| | | |
|---|----|---------|
| | | |
| B | 2x | Ø3,5x25 |
| | | 2x |
| | E | 1x |



| | | |
|---|----|---------|
| | | |
| B | 2x | Ø3,5x25 |
| | | 2x |
| | E | 1x |

