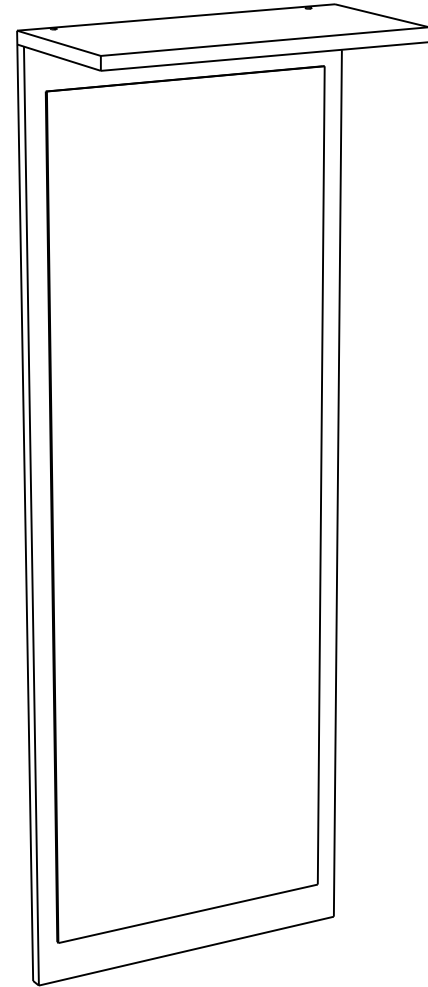
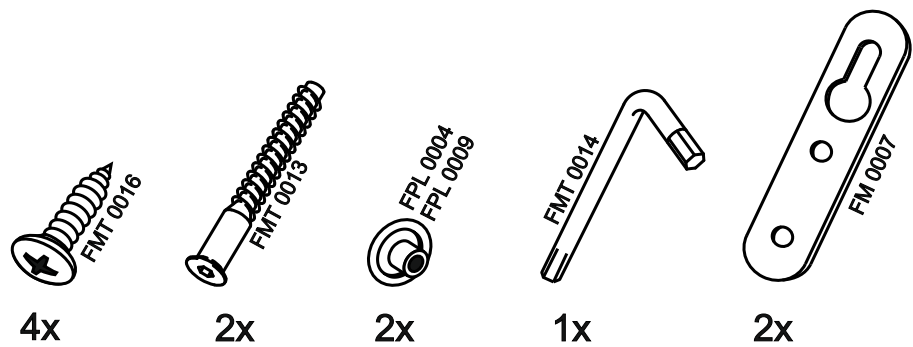


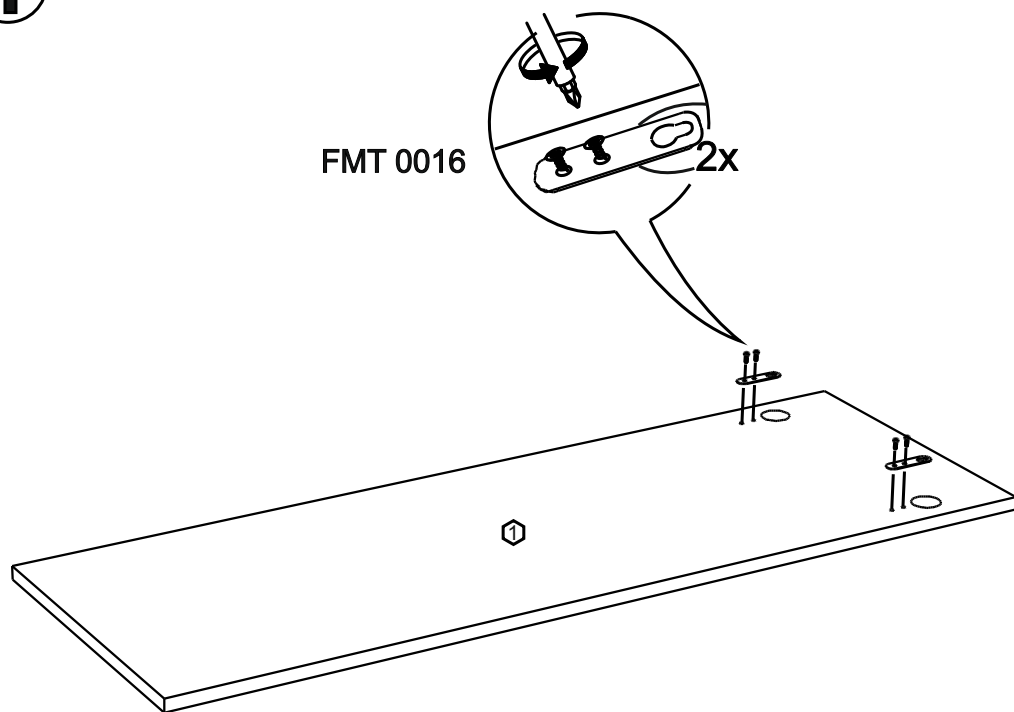
ZR100





No	code	a*b	x
1	ZR100.01	1100*400	1
2	ZR100.02	400*200	1

1



2

